

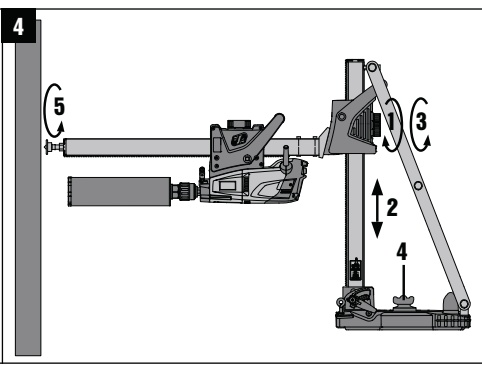
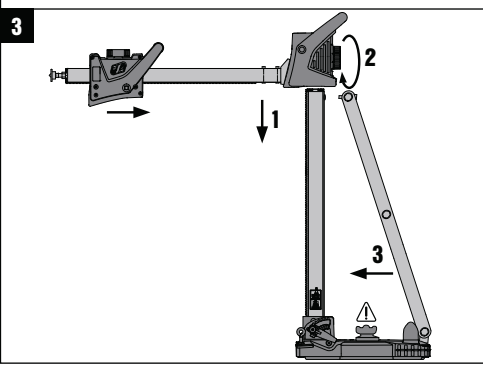
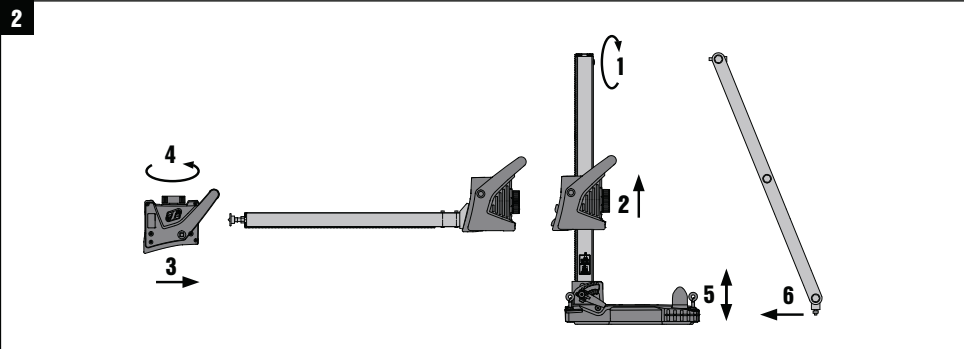
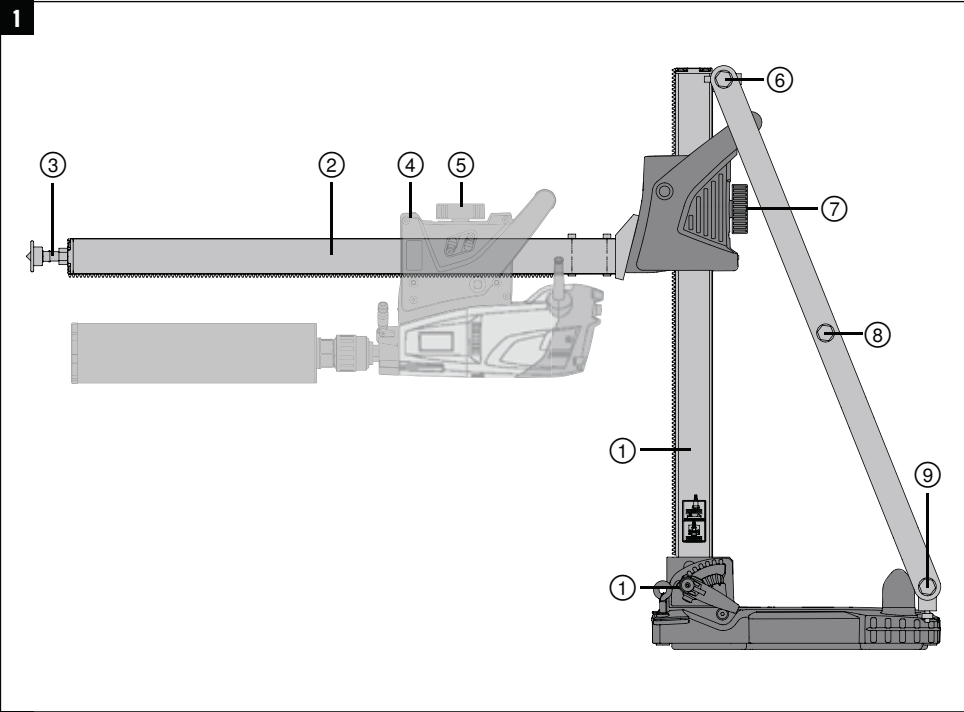
# HILTI

**DD-ST-150/160-CCS**

**Operating instructions**

**en**





# ORIGINAL OPERATING INSTRUCTIONS

## DD-ST-150/160-CCS cross-column adapter

en

***It is essential that the operating instructions are read before the appliance is operated for the first time.***

***Always keep these operating instructions together with the appliance.***

***Ensure that the operating instructions are with the appliance when it is given to other persons.***

Contents	Page
1. General information	1
2. Description	2
3. Technical data	2
4. Safety instructions	2
5. Operation	3
6. Care and maintenance	4
7. Manufacturer's warranty	5

**1** These numbers refer to the corresponding illustrations. The illustrations can be found on the fold-out cover pages. Keep these pages open while studying the operating instructions.

### Cross-column adapter **1**

- 1 Drill stand
- 2 Cross-column adapter
- 3 Jack screw
- 4 Drilling machine carriage
- 5 Drilling machine carriage lock
- 6 End stop screw
- 7 Cross-column adapter carriage lock
- 8 Brace
- 9 Leveling screws

## 1. General information

### 1.1 Safety notices and their meaning

#### **DANGER**

Draws attention to imminent danger that will lead to serious bodily injury or fatality.

#### **WARNING**

Draws attention to a potentially dangerous situation that could lead to serious personal injury or fatality.

#### **CAUTION**

Draws attention to a potentially dangerous situation that could lead to slight personal injury or damage to the equipment or other property.

#### **NOTE**

Draws attention to an instruction or other useful information.

### 1.2 Explanation of the pictograms and other information

#### Obligation signs



Wear eye protection.



Wear protective gloves.



Wear a hard hat.



Wear ear protection.



Wear safety shoes.

## Symbols



en

Read the operating instructions before use.

## 2. Description

### 2.1 Use of the product as directed

The DD-ST-150/160-CCS is intended for professional use.

The DD-ST-150/160-CCS is intended to be used in conjunction with the DD-ST 150-U CTL or DD-ST 160 CTL drill stands for rig-based drilling in mineral materials using diamond core bits (not suitable for hand-held use), and particularly for drilling into walls. Use of the cross-column adapter requires use of a drill stand, and care must be taken to ensure that the drill stand is securely fastened to the base material with an anchor.

Drilling at an oblique angle to the base material is not permissible.

Observe the information printed in the operating instructions concerning operation, care and maintenance.

To avoid the risk of injury, use only genuine Hilti tools and accessories.

The appliance is designed for professional use and may be operated, serviced and maintained only by trained, authorized personnel. This personnel must be informed of any special hazards that may be encountered. The appliance and its ancillary equipment may present hazards when used incorrectly by untrained personnel or when used not as directed.

Nationally applicable industrial safety regulations must be observed.

Modification of the appliance or tampering with its parts is not permissible.

## 3. Technical data

Right of technical changes reserved.

Rail length	927 mm
Weight of cross-column adapter incl. brace	14.8 kg
Drilling diameter using the DD 150-U	Max. 162 mm
Drilling diameter using the DD 160	Max. 202 mm

## 4. Safety instructions

### 4.1

**WARNING! Read all safety warnings and all instructions.** Failure to follow the warnings and instructions may result in electric shock, fire and/or serious injury. **Save all warnings and instructions for future reference.** The term “power tool” in the warnings refers to your mains-operated (corded) power tool or battery-operated (cordless) power tool.

### 4.2 Work area safety

- Keep work area clean and well lit.** Cluttered or dark areas invite accidents.
- Keep children and bystanders away while operating a power tool.** Distractions can cause you to lose control.
- Do not work from a ladder.**

#### 4.3 Personal safety



- a) **Stay alert, watch what you are doing and use common sense when operating a power tool. Do not use a power tool while you are tired or under the influence of drugs, alcohol or medication.** A moment of inattention while operating power tools may result in serious personal injury.
- b) **The user and any other persons in the vicinity must wear suitable eye protection, a hard hat, ear protection, protective gloves and safety footwear while the appliance is in use.**

#### 4.4 Use of the power tool

- a) **Do not drill into the base material at an oblique angle.**
- b) **Maintain power tools. Check for misalignment or binding of moving parts, breakage of parts and any other condition that may affect the power tool's operation. If damaged, have the power tool repaired before use.** Many accidents are caused by poorly maintained power tools.
- c) **Use the power tool, accessories and tool bits etc. in accordance with these instructions, taking into account the working conditions and the work to be performed.** Use of the power tool for operations different from those intended could result in a hazardous situation.
- d) **Have your power tool serviced by a qualified repair person using only identical replacement parts.** This will ensure that the safety of the power tool is maintained.

en

## 5. Operation

### WARNING

Use of several cross-column adapters in combination is not permissible.

### WARNING

Setting the column of the drill stand to an oblique angle, and thereby not using the brace, is not permissible.

#### 5.1 Assembling the cross-column adapter 2

1. Remove the stop screw from the end of the cross-column adapter.
2. Slide the carriage of the DD 150-U or DD 160 drilling machine off the drill stand.
3. Slide the carriage of the DD 150-U or DD 160 drilling machine onto the cross-column adapter.
4. Prevent further movement of the drilling machine carriage by activating the carriage lock.
5. Remove the two base plate leveling screws located beside the grip.
6. Fit the brace to the base plate using the two screws supplied.
7. Refit the two leveling screws.

#### 5.2 Fastening the drill stand

### WARNING

Use of the vacuum fastening method to secure the drill stand to the surface is not permissible.

Use an anchor to fasten the drill stand to the surface on which it is positioned (please refer to the operating instructions for the machine).

### NOTE

The anchor used to fasten the drill stand should be set at a distance of 1220 mm from the surface in which the core drilling is to be carried out.

#### 5.3 Attaching the cross-column adapter to the drill stand 3

1. Slide the cross-column adapter with the drilling machine and/or the carriage onto the drill stand.
2. Prevent further movement of the cross-column adapter carriage by activating the carriage lock.
3. Attach the brace at the end of the column in place of the end stop screw.

#### 5.4 Mounting the DD 150-U on the cross-column adapter

Attach the DD 150-U motor unit securely to the carriage (please refer to the operating instructions for the drilling machine).

#### 5.5 Bracing the cross-column adapter

1. Release the cross-column adapter lock.
2. Slide the cross-column adapter into the desired position.
3. Prevent further movement of the cross-column adapter carriage by activating the carriage lock.
4. Release the tension on the drill stand clamping nut slightly, adjust the position of the drill stand as desired and then re-tighten the drill stand clamping nut (please refer to the operating instructions for the drilling machine).
5. Brace the cross-column adapter against the surface by turning the jack screw.

**NOTE** Check to ensure that the system is securely fastened.

#### 5.6 Drilling

Please refer to the operating instructions for the drilling machine.

#### 5.7 Removing the cross-column adapter from the drill stand

1. Remove the DD 150-U from the carriage (please refer to the operating instructions for the drilling machine).

2. Relieve the tension on the jack screw.
3. Detach the brace from the end of the column.
4. Release the cross-column adapter carriage lock.
5. Slide the cross-column adapter off the drill stand column.

#### 5.8 Releasing the drill stand from the base material

Please refer to the operating instructions for the drilling machine.

#### 5.9 Removing the brace

1. Remove the two base plate leveling screws located beside the grip.
2. Detach the brace from the base plate.
3. Refit the two leveling screws.

#### 5.10 Removing machine from the cross-column adapter and mounting it on the drill stand

1. Release the carriage lock for the drilling machine mounted on the cross-column adapter.
2. Slide the carriage of the DD 150-U or DD 160 drilling machine off the cross-column adapter.
3. Slide the carriage of the DD 150-U or DD 160 drilling machine onto the drill stand.
4. Fit the stop screw back on to the end of the drill stand.

## 6. Care and maintenance

### **DANGER**

**Disconnect the motor unit supply cord plug from the power outlet.**

#### 6.1 Care and maintenance of the metal parts

Clean off dirt and dust deposits adhering to the surfaces of the cross-column adapter and protect the parts from corrosion by wiping them from time to time with an oil-soaked rag.

## 7. Manufacturer's warranty

Hilti warrants that the tool supplied is free of defects in material and workmanship. This warranty is valid so long as the tool is operated and handled correctly, cleaned and serviced properly and in accordance with the Hilti Operating Instructions, and the technical system is maintained. This means that only original Hilti consumables, components and spare parts may be used in the tool.

This warranty provides the free-of-charge repair or replacement of defective parts only over the entire lifespan of the tool. Parts requiring repair or replacement as a result of normal wear and tear are not covered by this warranty.

**Additional claims are excluded, unless stringent national rules prohibit such exclusion. In particular, Hilti is not obligated for direct, indirect, incidental or consequential damages, losses or expenses in connection with, or by reason of, the use of, or inability to use the tool for any purpose. Implied warranties of merchantability or fitness for a particular purpose are specifically excluded.**

For repair or replacement, send the tool or related parts immediately upon discovery of the defect to the address of the local Hilti marketing organization provided.

This constitutes Hilti's entire obligation with regard to warranty and supersedes all prior or contemporaneous comments and oral or written agreements concerning warranties.

en



Hilti Corporation

LI-9494 Schaan

Tel.: +423 / 234 21 11

Fax: +423 / 234 29 65

[www.hilti.com](http://www.hilti.com)

Hilti = registered trademark of Hilti Corp., Schaan

W 4066 | 0911 | 00-Pos. 1 | 1

Printed in Germany © 2011

Right of technical and programme changes reserved S. E. & O.

2033680 / A



2033680