



BX 3  
BX 3-L

English  
עברית

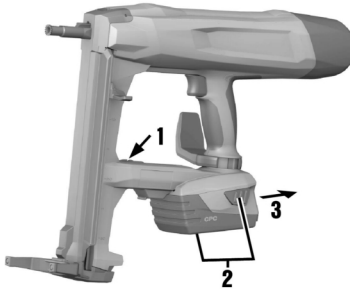
1  
15



2



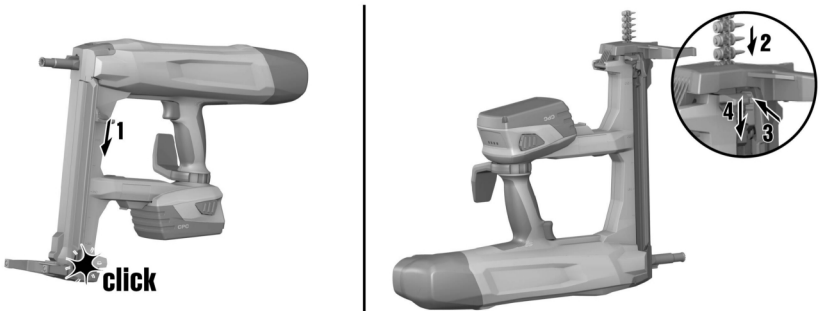
3



4



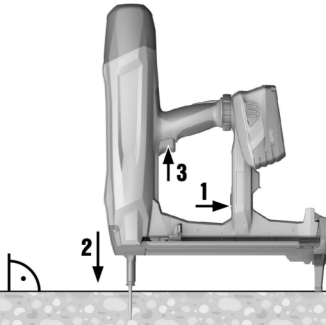
5



6



7



# **BX 3**

## **BX 3-L**

en	Original operating instructions .....	1
he	הוראות הפעלה מקוריות .....	15



# Original operating instructions

## 1 Information about the operating instructions

### 1.1 About these operating instructions

- **Warning!** Read and understand all accompanying documentation, including but not limited to instructions, safety warnings, illustrations, and specifications provided with this product. Familiarize yourself with all the instructions, safety warnings, illustrations, specifications, components, and functions of the product before use. Failure to do so may result in electric shock, fire, and/or serious injury. Save all warnings and instructions for future reference.
- products are designed for professional users and only trained, authorized personnel are permitted to operate, service and maintain the products. This personnel must be specifically informed about the possible hazards. The product and its ancillary equipment can present hazards if used incorrectly by untrained personnel or if used not in accordance with the intended use.
- The accompanying documentation corresponds to the current state of the art at the time of printing. Please always check for the latest version on the product's page on Hilti's website. To do this, follow the link or scan the QR code in this documentation, marked with the symbol
- Ensure that these operating instructions are with the product when it is given to other persons.

### 1.2 Explanation of symbols

#### 1.2.1 Warnings

Warnings alert persons to hazards that occur when handling or using the product. The following signal words are used:

**DANGER**

**DANGER !**

- ▶ Draws attention to imminent danger that will lead to serious personal injury or fatality.

**WARNING**

**WARNING !**

- ▶ Draws attention to a potential threat of danger that can lead to serious injury or fatality.

**CAUTION**

**CAUTION !**

- ▶ Draws attention to a potentially dangerous situation that could lead to personal injury or damage to the equipment or other property.

#### 1.2.2 Symbols in the operating instructions

The following symbols are used in these operating instructions:

	Comply with the operating instructions
	Instructions for use and other useful information
	Dealing with recyclable materials
	Do not dispose of electric equipment and batteries as household waste
	<b>Hilti</b> Li-ion battery
	<b>Hilti</b> charger

#### 1.2.3 Symbols in illustrations

The following symbols are used in illustrations:

- 2** These numbers refer to the illustrations at the beginning of these operating instructions.



3	The numbers in illustrations refer to important work steps or to components important for the work steps. In the text, the corresponding numbers draw attention to these work steps or components, e.g. (3).
	Item reference numbers are used in the <b>overview illustration</b> and refer to the numbers used in the key in the <b>product overview</b> section.
	This symbol is intended to draw your special attention to certain points for handling the product.

### 1.3 Product-dependent symbols

#### 1.3.1 Symbols on the product

The following symbols are used on the product:

	General symbol for "must do"
	Wear eye protection
	Wear hearing protection
	Wear a hard hat
	Direct current (DC)
	The <b>Bluetooth®</b> wordmark and the  logo are registered trademarks and the property of <b>Bluetooth SIG, Inc.</b> and <b>Hilti</b> has been granted a license to use these trademarks.
	The power tool supports near-field communication (NFC) technology, which is compatible with iOS and Android platforms.
Li-Ion	Li-ion battery
	<b>Hilti</b> Li-ion battery type series used. Observe the information given in the section headed <b>Intended use</b> .
	Never use the battery as a striking tool.
	Do not drop the battery. Never use a battery that has suffered an impact or is damaged in any other way.

## 2 Safety

### 2.1 General power tool safety warnings

#### WARNING

**Read all safety warnings and all instructions.** Failure to follow the warnings and instructions may result in electric shock, fire and/or serious injury.

**Save all warnings and instructions for future reference.**

#### Work area safety

- ▶ **Keep work area clean and well lit.** Cluttered or dark areas invite accidents.
- ▶ **Do not operate power tools in explosive atmospheres, such as in the presence of flammable liquids, gases or dust.** Power tools create sparks which may ignite the dust or fumes.
- ▶ **Keep children and bystanders away while operating a power tool.** Distractions can cause you to lose control.

#### Electrical safety

- ▶ **Avoid body contact with earthed or grounded surfaces, such as pipes, radiators, ranges and refrigerators.** There is an increased risk of electric shock if your body is earthed or grounded.
- ▶ **Do not expose power tools to rain or wet conditions.** Water entering a power tool will increase the risk of electric shock.





### Personal safety

- ▶ **Stay alert, watch what you are doing and use common sense when operating a power tool. Do not use a power tool while you are tired or under the influence of drugs, alcohol or medication.** A moment of inattention while operating power tools may result in serious personal injury.
- ▶ **Use personal protective equipment. Always wear eye protection.** Protective equipment such as dust mask, non-skid safety shoes, hard hat, or hearing protection used for appropriate conditions will reduce personal injuries.
- ▶ **Prevent unintentional starting. Ensure the switch is in the off-position before connecting to battery pack, picking up or carrying the tool.** Carrying power tools with your finger on the switch or energising power tools that have the switch on invites accidents.
- ▶ **Remove any adjusting key or wrench before turning the power tool on.** A wrench or a key left attached to a rotating part of the power tool may result in personal injury.
- ▶ **Do not overreach. Keep proper footing and balance at all times.** This enables better control of the power tool in unexpected situations.
- ▶ **Dress properly. Do not wear loose clothing or jewellery. Keep your hair, clothing and gloves away from moving parts.** Loose clothes, jewellery or long hair can be caught in moving parts.
- ▶ **If devices are provided for the connection of dust extraction and collection facilities, ensure these are connected and properly used.** Use of dust collection can reduce dust-related hazards.

### Power tool use and care

- ▶ **Do not force the power tool. Use the correct power tool for your application.** The correct power tool will do the job better and safer at the rate for which it was designed.
- ▶ **Do not use the power tool if the switch does not turn it on and off.** Any power tool that cannot be controlled with the switch is dangerous and must be repaired.
- ▶ **Disconnect the battery pack from the power tool before making any adjustments, changing accessories, or storing power tools.** Such preventive safety measures reduce the risk of starting the power tool accidentally.
- ▶ **Store idle power tools out of the reach of children and do not allow persons unfamiliar with the power tool or these instructions to operate the power tool.** Power tools are dangerous in the hands of untrained users.
- ▶ **Maintain power tools. Check for misalignment or binding of moving parts, breakage of parts and any other condition that may affect the power tool's operation. If damaged, have the power tool repaired before use.** Many accidents are caused by poorly maintained power tools.
- ▶ **Keep cutting tools sharp and clean.** Properly maintained cutting tools with sharp cutting edges are less likely to bind and are easier to control.
- ▶ **Use the power tool, accessories and tool bits etc. in accordance with these instructions, taking into account the working conditions and the work to be performed.** Use of the power tool for operations different from those intended could result in a hazardous situation.

### Battery tool use and care

- ▶ **Recharge only with the charger specified by the manufacturer.** A charger that is suitable for one type of battery pack may create a risk of fire when used with another battery pack.
- ▶ **Use power tools only with specifically designated battery packs.** Use of any other battery packs may create a risk of injury and fire.
- ▶ **When battery pack is not in use, keep it away from other metal objects, like paper clips, coins, keys, nails, screws or other small metal objects, that can make a connection from one terminal to another.** Shorting the battery terminals together may cause burns or a fire.
- ▶ **Under abusive conditions, liquid may be ejected from the battery; avoid contact. If contact accidentally occurs, flush with water. If liquid contacts eyes, additionally seek medical help.** Liquid ejected from the battery may cause irritation or burns.

### Service

- ▶ **Have your power tool serviced by a qualified repair person using only identical replacement parts.** This will ensure that the safety of the power tool is maintained.

## 2.2 Tacker safety warnings

- ▶ **Always assume that the tool contains fasteners.** Careless handling of the fastening tool can result in unexpected firing of nails causing personal injury.
- ▶ **Do not point the tool towards yourself or anyone nearby.** Unexpected triggering will discharge the fastener causing an injury.
- ▶ **Do not actuate the tool unless the tool is placed firmly against the workpiece.** If the tool is not in contact with the workpiece, the fastener may be deflected away from your target.



- ▶ **Disconnect the tool from the power source when the fastener jams in the tool.** While removing a jammed fastener, the fastener may be accidentally activated if it is plugged in.
- ▶ **Use caution while removing a jammed fastener.** The mechanism may be under compression and the fastener may be forcefully discharged while attempting to free a jammed condition.
- ▶ **When fastening electrical cables, make sure the cables are not energized. Hold the fastening tool only by insulated gripping surfaces. Use only fasteners designed for electrical cable installations. Inspect that the fastener has not damaged the insulation of the electrical cable.** A fastener that damages the insulation of electric cables can lead to electric shock and fire hazards.

## 2.3 Safety instructions

### Basic information concerning safety

**⚠ WARNING! Read all safety precautions and other instructions.** Failure to observe the safety precautions and other instructions may result in electric shock, fire and/or serious injury.

Keep all safety precautions and instructions for future reference.

### Requirements to be met by users

- ▶ Only authorized, appropriately trained persons may operate or service this tool.

### Personal protective equipment

- ▶ You and any other persons in the vicinity must wear suitable eye protection and a hard hat while the tool is in use.
- ▶ Wear ear protectors.
  - ▶ Exposure to noise can cause hearing loss.

### Personal safety

- ▶ Observe the information printed in the operating instructions concerning operation, care and maintenance.
- ▶ Stay alert, watch what you are doing and use common sense when operating a direct fastening tool. Don't use the tool when you are tired or under the influence of drugs, alcohol or medication. Take a break if you experience pain or feel unwell. A moment of inattention while operating tools may result in serious personal injury.
- ▶ Avoid working in awkward body positions. Make sure you work from a safe stance and stay in balance at all times.
- ▶ Wear non-skid shoes.
- ▶ Never pull the fastener guide or fastener back with your hand.
  - ▶ Under certain circumstances, the tool could be made ready to fire by pulling the fastener guide or the fastener back by hand. When the tool is ready to fire, fasteners or the piston could be driven inadvertently into parts of the body.
- ▶ Keep the arms slightly bent while operating the tool (do not straighten the arms).
- ▶ Keep other people away from the working area, especially children.

### Use and care of direct fastening tools

**⚠ WARNING! Danger of fasteners penetrating right through.** Before driving fasteners, check to make sure that no one is present behind or below the object into which the fastener is to be driven.

- ▶ Before beginning the work, carry out a test by driving 2 fasteners into the material you are working on.
- ▶ Use the right tool for the work you are carrying out. Do not use the tool for purposes for which it was not intended. Use it only as directed and when in faultless condition.
- ▶ Never leave a loaded tool unattended.
- ▶ Transport and store the tool in a secured toolbox.
- ▶ Always unload the tool (remove fasteners) before cleaning, maintenance, changing the fastener guide, before work breaks and before storing the tool.
- ▶ When not in use, the tool should be unloaded and stored in a locked, dry place where it is inaccessible to children.
- ▶ Check the tool and the accessories for any damage. Check that moving parts function faultlessly, without sticking, and that no parts are damaged.
  - ▶ All parts must be fitted correctly and fulfill all conditions necessary for correct operation of the tool. Damaged parts must be properly repaired or replaced by **Hilti** Service unless otherwise stated in the operating instructions.
- ▶ Before driving fasteners, check that there is no electrical wiring behind the surface on which you are working.



- ▶ Do not attempt to drive fasteners into unsuitable materials.
  - ▶ Unsuitable materials include welded steel and cast steel, cast iron, glass, marble, plastic, bronze, brass, copper, insulating material, hollow brick, ceramic brick, thin sheet metal (< 4 mm) and cellular concrete. Driving a fastener into these materials may cause the fastener to break, shatter or to be driven right through.
- ▶ Pull the trigger only when the tool is fully pressed against the working surface at right angles.
- ▶ When driving fasteners, always hold the fastening tool at right angles to the working surface in order to prevent the fastener being deflected by the surface.
- ▶ Keep the grips dry, clean and free from oil and grease.
- ▶ Never drop the tool.
- ▶ Do not use the magazine as a grip.
- ▶ Do not use the tool in places where there is a risk of fire or explosion unless the tool is specially approved for this type of use.
- ▶ Never drive fasteners into existing holes unless this is recommended by **Hilti** (e.g. DX-Kwik).

#### **Workstation**

- ▶ Keep the workplace tidy. Objects which could cause injury should be removed from the working area.
  - ▶ Untidiness in the working area can lead to accidents.
- ▶ Make sure that the working area is well lit and well ventilated.

#### **Mechanical safety rules**

- ▶ Do not tamper with or modify the tool or parts of it, especially the piston.
- ▶ Use only fasteners of a type approved for use with the tool.

#### **Thermal safety rules**

- ▶ Do not exceed the recommended maximum fastener driving rate.
- ▶ If the tool has overheated, allow it to cool down.
- ▶ Do not dismantle the tool while it is hot. Allow the tool to cool down.

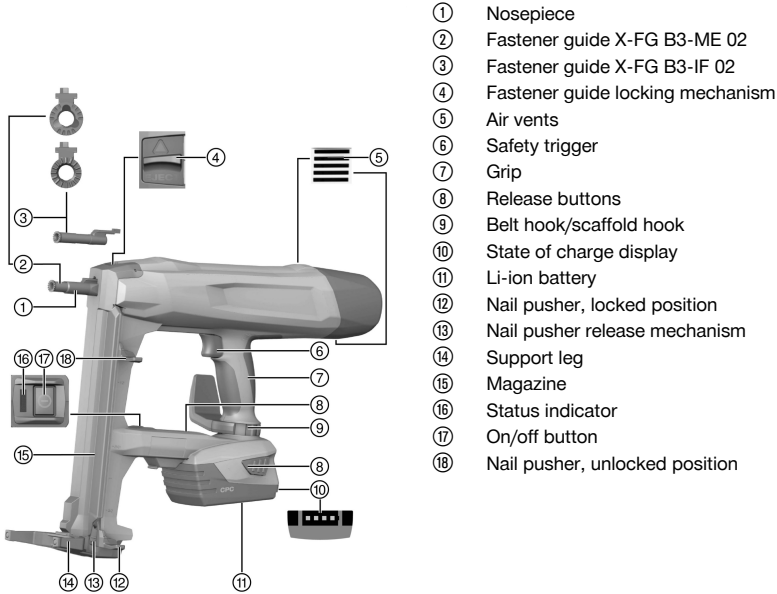
### **2.4 Careful handling and use of batteries**

- ▶ Observe the special guidelines applicable to the transport, storage and use of lithium-ion batteries.
- ▶ Do not expose batteries to high temperatures, direct sunlight or fire.
- ▶ Do not disassemble, crush or incinerate batteries and do not subject them to temperatures over 80 °C (176 °F).
- ▶ Do not use or charge batteries that have suffered mechanical impact, have been dropped from a height or show signs of damage. In this case, always contact your **Hilti Service**.
- ▶ If the battery is too hot to touch it may be defective. Put the battery in a place where it is clearly visible and where there is no risk of fire, at an adequate distance from flammable materials. Allow the battery to cool down. If it is still too hot to touch after an hour, the battery is faulty. Contact **Hilti Service**.



### 3 Description

#### 3.1 Overview of the product



- ① Nosepiece
- ② Fastener guide X-FG B3-ME 02
- ③ Fastener guide X-FG B3-IF 02
- ④ Fastener guide locking mechanism
- ⑤ Air vents
- ⑥ Safety trigger
- ⑦ Grip
- ⑧ Release buttons
- ⑨ Belt hook/scaffold hook
- ⑩ State of charge display
- ⑪ Li-ion battery
- ⑫ Nail pusher, locked position
- ⑬ Nail pusher release mechanism
- ⑭ Support leg
- ⑮ Magazine
- ⑯ Status indicator
- ⑰ On/off button
- ⑱ Nail pusher, unlocked position

#### 3.2 Intended use

The product is a hand-held, cordless fastening tool for indoor use. It is designed to drive specially manufactured fasteners (nails) into concrete, steel, masonry, sand-lime block and other materials suitable for use of the direct fastening technique. The product is also designed to fasten electrical cables with clips if the appropriate fasteners are used. Use only approved fasteners in combination with their corresponding fastener guide (see the section headed "Technical data").

The fastening tool, battery and fasteners together form a technical entity. This means that trouble-free fastening with this fastening tool can be ensured only when the **Hilti** fasteners and chargers and batteries recommended by **Hilti** are used. The fastening and application recommendations made by **Hilti** apply only when these conditions are observed.

- ▶ The fastening tool is for hand-held use only.
- ▶ Misuse of the fastening tool must be ruled out. Misuse of the tool is understood to include driving fasteners into very soft materials (e.g. wood) or into excessively hard materials (e.g. high-strength steel or very hard natural stone).
- Use only **Hilti** lithium-ion batteries of the B 22 series with this product.
- Use only **Hilti**-approved battery chargers to charge these batteries. More information is available from your **Hilti Store** or from [www.hilti.group](http://www.hilti.group)

#### 3.3 Safety devices

When using the nail magazine, the nail detector prevents triggering without a nail loaded, which could damage the fastening tool.

The contact pressure safety device is intended to prevent the free flying of nails (i.e. actuation and driving a nail when the nosepiece is not in contact with the workpiece). When using a nail magazine, the fastening tool can be pressed against the surface and triggered only when a nail is loaded in the tool.



### 3.4 Features

The fastening tool is equipped with an ergonomic, non-slip and vibration-absorbing grip, a belt and scaffold hook and a support leg. The tool is protected from overloading by electronic overload protection and from overheating by temperature monitoring.

### 3.5 Bluetooth

The product has a Bluetooth interface. Wireless communication via Bluetooth is possible as soon as the battery has been fitted and the fastening tool switched on at the on/off button.

Data transfer continues for three hours after the tool has switched to standby mode or after the tool has been switched off at the on/off button.

To deactivate Bluetooth manually, press and hold down the on/off button for at least 5 seconds until the LED shows blue twice.

When the battery is removed, no further data are transferred.

Bluetooth is not available in all markets.

#### 3.5.1 Bluetooth

See the end of this documentation for country-specific approval symbols for Bluetooth.

### 3.6 Status indicator

The status indicator provides information about the status of the fastening tool.

Status	Meaning
Off	The fastening tool is switched off.
The LED lights green.	The fastening tool is switched on and ready for use.
The LED blinks green every 3 seconds.	The fastening tool is in stand-by mode. Press the nose of the tool against the working surface to switch it on.
The LED lights blue.	The fastening tool is switched on, nail strips require to be loaded.
LED blinks blue.	The fastening tool is switched on, the magazine is completely empty.
The LED blinks green.	The fastening tool is too hot or the battery has insufficient power. Please refer to "Troubleshooting".
The LED blinks red.	Malfunction – please refer to "Troubleshooting".
The LED lights red.	Malfunction – please refer to "Troubleshooting".

### 3.7 Indication of battery charge status

When one of the battery release buttons is pressed the display indicates the battery's state of charge.



Reliable indication of the charge status is not possible while a fastener is being driven or immediately after a fastener is driven.

Status	Meaning
All four LEDs light green.	Charge status is 75 % to 100 %.
Three LEDs light green.	Charge status is 50 % to 75 %.
Two LEDs light green.	Charge status is 25 % to 50 %.
One LED lights green.	Charge status is 10 % to 25 %.
One LED flashes green.	Charge status is below 10 %. The battery has insufficient power.

### 3.8 Items supplied

BX 3 or BX 3-L fastening tool, operating instructions.



## 4 Technical data

### 4.1 Fastening tool

		<b>BX 3</b>	<b>BX 3-L</b>
<b>Weight in accordance with EPTA procedure 01/2003</b>	<b>B 22/2.6 Li-Ion (02)</b>	4.0 kg	4.0 kg
	<b>B 22/3.0 Li-Ion (01)</b>	4.1 kg	4.1 kg
	<b>B 22/5.2 Li-Ion (01)</b>	4.3 kg	4.3 kg
<b>Nail length (collated nails)</b>		14 mm ... 30 mm	14 mm ... 36 mm
<b>Accessibility</b>		52 mm	46 mm
<b>Nail diameter</b>		3 mm	2.75 mm ... 3.0 mm
<b>Magazine capacity</b>		30 nails	30 nails
<b>Compression stroke</b>		12 mm	12 mm
<b>Contact pressure</b>		50 N ... 70 N	50 N ... 70 N
<b>Application temperature (ambient temperature)</b>		-15 °C ... 50 °C	-15 °C ... 50 °C
<b>Recommended maximum fastening rate</b>		650/h	650/h
<b>Rated voltage</b>		21.6 V	21.6 V
<b>Maximum emitted transmission power</b>		-11.9 dBm	-11.9 dBm
<b>Frequency</b>		2,400 MHz ... 2,483.5 MHz	2,400 MHz ... 2,483.5 MHz

### 4.2 Noise information and vibration values in accordance with EN 60745

The sound pressure and vibration values given in these instructions have been measured in accordance with a standardized test and may be used to compare one power tool with another. They may be used for a preliminary assessment of exposure. The data given represents the main applications of the power tool. However, if the power tool is used for different applications, with different accessories or is poorly maintained, the data may vary. This may significantly increase exposure over the total working period. An accurate estimation of exposure should also take into account the times when the tool is switched off, or when it is running but not actually being used for a job. This may significantly reduce exposure over the total working period. Set out additional safety measures to protect the operator from the effects of noise and/or vibration, such as: Maintaining the power tool and accessories, keeping the hands warm, reorganization of work patterns.

#### Noise and vibration information

<b>Typical A-weighted emission sound power level (when driving nails) (<math>L_{WA}</math>)</b>	<b>Concrete</b>	101 dB
	<b>Steel</b>	105 dB
<b>Typical A-weighted emission sound pressure level (when driving nails) (<math>L_{pA}</math>)</b>	<b>Concrete</b>	90 dB
	<b>Steel</b>	94 dB
<b>Uncertainty for the given sound level (K)</b>		3 dB

#### Total uniaxial vibration values (in z-direction)

<b>Vibration emission value (when driving nails) (<math>a_h</math>)</b>	<b>Concrete</b>	2.3 m/s <sup>2</sup>
	<b>Steel</b>	2.2 m/s <sup>2</sup>
<b>Uncertainty (K)</b>		1.5 m/s <sup>2</sup>

### 4.3 Battery

<b>Battery operating voltage</b>	21.6 V
<b>Ambient temperature for operation</b>	-17 °C ... 60 °C
<b>Storage temperature</b>	-20 °C ... 40 °C
<b>Battery charging starting temperature</b>	-10 °C ... 45 °C



## 5 Preparations at the workplace

### WARNING

#### Risk of injury by inadvertent starting!

- ▶ Before inserting the battery, make sure that the product is switched off.
- ▶ Remove the battery before making any adjustments to the power tool or before changing accessories.

Observe the safety instructions and warnings in this documentation and on the product.

### 5.1 Inserting the battery



In order to achieve maximum battery lifetime, replace the discharged battery with a fully charged battery as soon as you notice a clear drop in battery performance.

1. Check that the contacts on the battery and on the tool are free from foreign objects.
2. Fit the battery and make sure that it is heard to engage.
  - ▶ Once the battery has been fitted, the charge status LEDs light for a short time.

### CAUTION

**A falling battery presents a hazard.** If the battery is not secured correctly it may drop out and fall while the work is in progress.

- ▶ Always check that the battery is securely seated.
3. Check that the battery is securely seated in the fastening tool.

### 5.2 Removing the battery

1. Switch the fastening tool off. → page 10
2. Press the two release buttons and hold them in the pressed position.
3. Pull the battery out of the power tool to the rear.

### 5.3 Removing the fastener guide

1. Switch the fastening tool off. → page 10
2. Remove the battery. → page 9
3. Pull the nail pusher down until it engages.
4. Unload the magazine. → page 11
5. Slide the fastener guide locking catch as far as it will go in the direction of the arrow.
  - ▶ The fastener guide will be released.
6. Remove the fastener guide.

### 5.4 Inserting the fastener guide

1. Switch the fastening tool off. → page 10
2. Remove the battery. → page 9
3. Pull the nail pusher down until it engages.
4. Unload the magazine. → page 11
5. Slide the fastener guide locking catch as far as it will go in the direction of the arrow and hold it in this position.
6. Slide the fastener guide into the nosepiece until it is heard to engage.
7. Release the fastener guide locking catch.
  - ▶ The fastener guide jumps to the middle position.
8. Grip and pull the fastener guide to check that it is securely seated.

### 5.5 Working safely with the belt and scaffold hook

- ▶ Before beginning work, make sure that the belt hook / scaffold hook is securely attached to the tool.
- ▶ Use the belt hook / scaffold hook only when necessary. Lay the tool down in a safe place when it is not in use for a long period.



## 5.6 Loading for magazine operation

### WARNING

**Risk of crushing!** Allowing the nail pusher to snap back under spring pressure may result in finger injuries and cause damage to the fastening tool.

- ▶ When pulling the nail pusher down, take care to ensure that it engages securely. Do not allow the nail pusher to jump back under spring pressure.

1. Pull the nail pusher down until it engages.
2. Slide the nail strips into the magazine (a maximum of 3 strips of 10 nails).
3. Hold the nail pusher securely and press the nail pusher release button.
4. Guide the nail pusher back until it contacts a nail.

## 6 Types of work

### 6.1 Using the support leg

On an even working surface, the support leg makes it easier to hold the fastening tool perpendicular as attention then only has to be paid to lateral alignment. On uneven surfaces it may necessary to retract the support leg in order to ensure that the fastener guide is perpendicular to the working surface.

#### 6.1.1 Retracting the support leg

1. Push against the support leg to release it from its resting position.
2. Pivot the support leg back through about 230°.
3. Push against the support leg from below until it engages in the retracted position.

#### 6.1.2 Extending the support leg

### CAUTION

**Risk of pinching the fingers!** When folding the support leg back there is a risk of trapping and pinching the fingers between the support leg and the casing of the tool.

- ▶ Hold the fastening tool by the grip when extending/retracting the support leg.

1. Push against the support leg to release it from its resting position.
2. Pivot the support leg forward through about 230°.
3. Push against the support leg from below until it engages in the extended position.

### 6.2 Switching the fastening tool on/off

#### 6.2.1 Switching the fastening tool on

### WARNING

**Risk of injury!** Pressing the nosepiece of the fastening tool against a part of the body may lead to serious injury due to inadvertent firing and release of a fastener.

- ▶ **Never press the nosepiece of the fastening tool against your hand or any other part of the body.**

- ▶ Press the on/off button.
  - ▶ The spring mechanism can be heard to build up tension and the status indicator lights green.



When battery performance drops, tensioning of the spring mechanism will take longer than with a fully charged battery.

Battery performance drops at low temperatures.

If you continue to operate the fastening tool after noticing a drop in battery performance, the fastening tool will switch itself off automatically before damage to the battery cells occurs.

#### 6.2.2 Switching the fastening tool off

- ▶ Press the on/off button.
  - ▶ The spring mechanism can be heard to release the tension and the status indicator goes out.





### 6.3 Driving a nail

#### WARNING

**Risk of injury by flying parts!** When driving a fastener, there is a risk of injury to the body and eyes caused by splintered fragments of the workpiece and by flying parts of the nail strip.

- ▶ **Wear personal protective equipment and always wear eye protection and protective gloves.** Other persons in the vicinity must also wear eye protection and a hard hat.

#### WARNING

**Risk of injury!** Pressing the nosepiece of the fastening tool against a part of the body may lead to serious injury due to inadvertent firing and release of a fastener.

- ▶ **Never press the nosepiece of the fastening tool against your hand or any other part of the body.**

1. Switch the fastening tool on. → page 10
2. Position the nose of the fastening tool at right angles to the working surface and then press it against the surface, pushing the fastener guide in as far as it will go.
3. Drive the nail by pressing the safety trigger.
4. Lift the fastening tool completely away from the working surface after driving a fastener.

The fastening tool switches itself off automatically if the fastener guide is pressed against the working surface for longer than 6 seconds without a nail being driven. The fastening tool can be switched on again by pressing the on/off button.

If the fastening tool is not used for 6 minutes, spring tension is relaxed and the fastening tool switches to stand-by mode automatically. The springs are automatically retensioned and the fastening tool becomes ready for use again as soon as it is pressed against the working surface. If the fastening tool is left in stand-by mode for longer than three hours it switches itself off automatically. The fastening tool can be switched back on again by pressing the on/off button.

### 6.4 Switching off Bluetooth

- ▶ Press the on/off button for at least 5 seconds until the LED shows blue twice.
  - ▶ No further data transfer is possible.
  - ▶ Bluetooth is not available in all markets.

Bluetooth can be deactivated if you are in a sensitive environment (e.g. a hospital) where use of Bluetooth is prohibited.

### 6.5 Removing a nail when in magazine mode

1. Pull the nail pusher down until it engages.
2. Slide the nail downwards out of the magazine.
3. Hold the nail pusher securely and press the nail pusher release button.
4. Guide the nail pusher back to its original position.

### 6.6 Jammed nails

Individual nails may get stuck in the fastener guide. You can remove jammed nails from the fastener guide with the aid of the X-NP drift punch set. Accessories are available from your **Hilti** Center or can be ordered online at [www.hilti.com](http://www.hilti.com).

#### WARNING

**There is a risk of injury and damage to the fastening tool.** Use of unsuitable items instead of the recommended genuine **Hilti** accessories may result in injury or damage to the fastening tool.

- ▶ To release a jammed nail, use only the recommended drift punch set.

#### WARNING

**Risk of injury by flying parts!** Triggering the tool (attempting to drive a fastener) when foreign objects are present in the area around the fastener guide, or when a fastener is jammed in the fastener guide, may lead to injury caused by flying objects or fragments.

- ▶ Never attempt to clear malfunctions of the fastening tool by continuing to trigger the tool!



### 6.6.1 Releasing jammed nails

1. Remove the fastener guide (see → page 9).
2. Fit the fastener guide into the supporting sleeve from the drift punch set.
3. Use the drift punch and a hammer to drive the jammed nail out of the fastener guide.
4. Fit the fastener guide (see → page 9).

## 7 Care and maintenance

### 7.1 Care and maintenance

#### WARNING

#### Risk of injury with battery inserted !

- ▶ Always remove the battery before carrying out care and maintenance tasks!

#### Care of the product

- Carefully remove stubborn dirt.
- Carefully clean the air vents, if present, with a dry, soft brush.
- Use only a slightly damp cloth to clean the housing. Do not use cleaning agents containing silicone as these can attack the plastic parts.
- Use a dry, clean cloth to clean the contacts of the product.

#### Care of the Li-ion batteries

- Never use a battery with clogged air vents. Clean the air vents carefully using a dry, soft brush.
- Avoid unnecessary exposure of the battery to dust and dirt. Never expose the battery to high levels of moisture (e.g. by being dipped in water or left in the rain).  
If a battery has been soaked by moisture, treat it as a damaged battery. Isolate it in a non-flammable container and consult **Hilti Service**.
- Keep the battery free of extraneous oil and grease. Do not permit dust or dirt to accumulate unnecessarily on the battery. Clean the battery with a dry, soft brush or a clean, dry cloth. Do not use cleaning agents containing silicone as these can attack the plastic parts.  
Do not touch the contacts of the battery and do not remove the factory-applied grease from the contacts.
- Use only a slightly damp cloth to clean the housing. Do not use cleaning agents containing silicone as these can attack the plastic parts.

#### Maintenance

- Check all visible parts and controls for signs of damage at regular intervals and make sure that they all function correctly.
- Do not use the product if signs of damage are found or if parts malfunction. Immediately have the product repaired by **Hilti Service**.
- After cleaning and maintenance, install all guards and protective devices and check that they are in full working order.



To help ensure safe and reliable operation, use only genuine Hilti spare parts and consumables. Spare parts, consumables and accessories approved by **Hilti** for use with your product can be found at your **Hilti Store** or online at: [www.hilti.group](http://www.hilti.group)

### 7.2 Cleaning the inside of the nosepiece

1. Remove the fastener guide. → page 9
2. Clean the inside of the nosepiece.
3. Insert the fastener guide. → page 9

## 8 Transport and storage of cordless tools and batteries

### Transport

#### CAUTION

#### Accidental starting during transport !

- ▶ Always transport your products with the batteries removed!
- ▶ Remove the battery/batteries.



- ▶ Never transport batteries loose and unprotected. During transport, batteries should be protected from excessive shock and vibration and isolated from any conductive materials or other batteries that may come in contact with the terminals and cause a short circuit. **Comply with the locally applicable regulations for transporting batteries.**
- ▶ Do not send batteries through the mail. Consult your shipper for instructions on how to ship undamaged batteries.
- ▶ Prior to each use and before and after prolonged transport, check the product and the batteries for damage.

### Storage



#### WARNING

#### Accidental damage caused by defective or leaking batteries !

- ▶ Always store your products with the batteries removed!
- 
- ▶ Store the product and the batteries in a cool and dry place. Comply with the temperature limits stated in the technical data.
  - ▶ Do not store batteries on the charger. Always remove the battery from the charger when the charging operation has completed.
  - ▶ Never leave batteries in direct sunlight, on sources of heat, or behind glass.
  - ▶ Store the product and batteries where they cannot be accessed by children or unauthorized persons.
  - ▶ Prior to each use and before and after prolonged storage, check the product and the batteries for damage.

## 9 Troubleshooting

If the trouble you are experiencing is not listed in this table or you are unable to remedy the problem by yourself, please contact **Hilti Service**.

Trouble or fault	Possible cause	Action to be taken
The spring element is not tensioned; no status indication.	The battery is empty.	▶ Change the battery.
	The battery is not fitted correctly.	▶ Fit the battery. → page 9
There is a delay before the spring mechanism is tensioned, the status indicator flashes blue and a signal tone is emitted simultaneously; the status indicator then lights blue for 6 minutes.	The magazine is empty.	▶ Load the magazine. → page 10
The spring element is not tensioned, the status indicator flashes green and 1 battery charge status LED flashes.	The battery is empty.	▶ Change the battery.
	Battery temperature too low.	▶ Allow the battery to warm up slowly to room temperature.
The spring element is not re-tensioned, the status indicator flashes green and 4 battery charge status LEDs flash.	The fastening tool has overheated.	▶ Allow the fastening tool to cool down.
The spring element is not tensioned and the status indicator flashes red.	The fastener guide is not fitted correctly.	▶ Insert the fastener guide. → page 9
The spring element is not tensioned and the status indicator lights red.	System fault.	▶ Contact <b>Hilti Service</b> .
The fastener guide cannot be pressed in and the status indicator lights green.	The magazine is empty.	▶ Load the magazine. → page 10
	The nail pusher is jammed.	▶ Remove the nail strips from the magazine and clean the magazine.
	Nail jammed in the fastener guide.	▶ Release the jammed nail. → page 12



Trouble or fault	Possible cause	Action to be taken
The fastener guide is jammed in the pressed-in state.	Dirt between the fastener guide and the nosepiece.	▶ Clean the inside of the nose-piece. → page 12

## 10 Disposal

### WARNING

**Risk of injury due to incorrect disposal!** Health hazards due to escaping gases or liquids.

- ▶ DO NOT send batteries through the mail!
- ▶ Cover the terminals with a non-conductive material (such as electrical tape) to prevent short circuiting.
- ▶ Dispose of your battery out of the reach of children.
- ▶ Dispose of the battery at your **Hilti Store**, or consult your local governmental garbage disposal or public health and safety resources for disposal instructions.

Most of the materials from which **Hilti** products are manufactured can be recycled. The materials must be correctly separated before they can be recycled. In many countries, your old tools, machines or appliances can be returned to **Hilti** for recycling. Ask **Hilti Service** or your Hilti sales representative for further information.



- ▶ Do not dispose of power tools, electronic equipment or batteries as household waste!

## 11 RoHS (Restriction of Hazardous Substances)

Click on the link to go to the table of hazardous substances: BX3 [qr.hilti.com/r7775899](https://qr.hilti.com/r7775899) BX3-L [qr.hilti.com/r7775857](https://qr.hilti.com/r7775857).

There is a link to the RoHS table, in the form of a QR code, at the end of this document.

## 12 Manufacturer's warranty

- ▶ Please contact your local **Hilti** representative if you have questions about the warranty conditions.



## 1 מידע על הוראות ההפעלה

### 1.1 על הוראות הפעלה אלו

- **אזהרה!** לפני השימוש במוצר יש לקרוא ולהבין את הוראות הפעלה המצורפות למוצר, כולל ההערות, הוראות הבטיחות והאזהרות, האיומים והמפרטים. יש ללמוד במיוחד את כל הוראות הבטיחות, האזהרות, המפרטים והפונקציות השונות של המוצר. התעלמות מהנחיה זו מובילה לסכנת התחשמלות, שריפה ופציעות קשות. שמור את הוראות הפעלה, כולל כל הוראות הבטיחות והאזהרות לצורך שימוש בעתיד.
- המוצרים של **HILTI** מיועדים למשתמש המקצועי, ורק אנשים מורשים, שעברו הכשרה מתאימה, רשאים לתפעל, לתחזק ולתקן אותם. אנשים אלה חייבים ללמוד באופן מיוחד את הסכנות האפשריות. המוצר המתואר והעדרים שלו עלולים להיות מסוכנים כאשר אנשים שלא עברו הכשרה מתאימה משתמשים בהם באופן לא מקצועי או כאשר משתמשים בהם שלא בהתאם לייעוד.
- הוראות הפעלה המצורפות נכתבו בהתאם לידיעות הטכנולוגיות במועד השליחה לדפוס. את הגרסה העדכנית ביותר אפשר למצוא תמיד בדף המוצר של Hilti. כדי להגיע לשם, יש לסרוק את קוד ה-QR בהוראות הפעלה האלה, מסומן בסמל .
- אם אתה מעביר את המוצר לאדם אחר, מסור לו גם את הוראות הפעלה האלה.

### 1.2 הסבר הסימנים

#### 1.2.1 אזהרות

האזהרות מזהירות מפני סכנות בשימוש במוצר. במדרג זה מופיעות מילות המפתח הבאות:



**סכנה**

**סכנה!**

מציינת סכנה מיידית, המובילה לפציעות גוף קשות או למוות.



**אזהרה**

**אזהרה!**

מציינת סכנה אפשרית, שיכולה להוביל לפציעות גוף קשות או למוות.



**זהירות**

**זהירות!**

מציינת מצב שעלול להיות מסוכן ולהוביל לפציעות גוף או לנזקים לרכוש.

#### 1.2.2 סמלים בהוראות הפעלה

הסמלים הבאים מופיעים בהוראות הפעלה אלה:

	שים לב להוראות הפעלה
	הנחיות לשימוש ומידע שימושי נוסף
	טיפול נכון בחומרים למיחזור
	אין להשליך לפסולת הביתית מכשירים חשמליים וסוללות
	Hilti סוללת ליתיום-יון
	Hilti מטען

#### 1.2.3 סמלים באיורים

הסמלים הבאים משמשים באיורים:

	מספרים אלה מפנים לאיור המתאים בתחילת הוראות הפעלה אלה.
	המספרים באיורים מפנים לשלבי עבודה חשובים או לרכיבים חשובים לשלבי העבודה. שלבי עבודה אלה או רכיבים אלה מודגשים בטקסט במספרים מתאימים, לדוגמה (3).
	מספרי הפריטים מופיעים באיור <b>סקירה</b> ותואמים את המספרים במקרא בפרק <b>סקירת המוצר</b> .





<b>1.3 סמלים ספציפיים למוצר</b>	
<b>1.3.1 סמלים על המוצר</b>	
הסמלים הבאים מופיעים על המוצר:	
סימן פעולת חובה	
השתמש במגני עיניים	
השתמש במגני שמיעה	
השתמש בקסדת מגן	
זרם ישר	
המוטג Bluetooth® והלוגו Bluetooth SIG, Inc. הם סימנים מסחריים רשומים בבעלות Hilti ומשתמשת בהם ברישיון.	
המכשיר תומך בטכנולוגיית NFC, התואמת את פלטפורמות iOS ו-Android.	
סוללת ליתיום-יון	Li-Ion
סדרת דגמי סוללות ליתיום-יון של Hilti שבשימוש. שים לב לנתונים בפרק שימוש בהתאם לייעוד.	
לעולם אין להשתמש בסוללה כפטיש.	
אין להפיל את הסוללה. אין להשתמש בסוללה שנחבטה או שניזוקה באופן אחר.	

## 2 בטיחות

### 2.1 הוראות בטיחות כלליות לכלי עבודה חשמליים

**⚠ אזהרה! קרא את כל ההנחיות והוראות הבטיחות.** אי ציות להוראות הבטיחות ולהנחיות עלול להוביל להתחשמלות, לשרפה ו/או לפציעות קשות.

שמור את כל הוראות הבטיחות וההנחיות לעיון בעתיד.

#### בטיחות במקום העבודה

- ◀ **שמור על אזור העבודה שלך נקי ודאג לתאורה מספקת.** חוסר סדר או תאורה לקויה במקום העבודה עלולים לגרום לתאובות.
- ◀ **אין להפעיל את כלי העבודה החשמלי בסביבה שקיימת בה סכנת פיצוץ או שיטתם בה נחלים, גזים או אבק דליקים.** כלי עבודה חשמליים יוצרים ניצוצות, שעלולים להצית את האבק או האדים.
- ◀ **הרחק ילדים ואנשים אחרים מכלי העבודה החשמלי במהלך השימוש בו.** אם דעתך תוסח אתה עלול לאבד את השליטה במכשיר.

#### בטיחות בחשמל

- ◀ **מנע מגע של הגוף במשטחים מוארקים, כגון צינורות, גופי חימום, תנורים ומקררים.** קיימת סכנה גבוהה להתחשמלות כאשר הגוף שלך מוארק.
- ◀ **הרחק כלי עבודה חשמליים מגשם או רטיבות.** חדירת מים לכלי העבודה החשמלי מגדילה את הסיכון להתחשמלות.

#### בטיחות של אנשים

- ◀ **היה ערבי, שים לב למה שאתה עושה, ופעל בתבונה כאשר אתה עובד עם כלי עבודה חשמלי.** אל תפעיל כלי עבודה חשמליים כשאתה עייף או תחת השפעת סמים, אלכוהול או תרופות. די ברגע אחד של חוסר תשומת-לב בזמן השימוש בכלי העבודה החשמלי כדי לגרום פציעות קשות.
- ◀ **לבש תמיד ציוד מגן ומשקפי מגן.** לבישת ציוד מגן אישי, כגון מסכת אבק, נעלי בטיחות מונעות החלקה, קסדת מגן או מגני שמיעה - בהתאם לסוג השימוש בכלי העבודה החשמלי - מקטינה את הסיכון לפציעות.



- ◀ **מנע הפעלה בשוגג.** לפני שאתה מחבר את הסוללה, מרים או נושא את כלי העבודה החשמלי ודא שהוא כבוי. אל תניח את אצבעך על המתג בזמן שאתה נושא את המכשיר ואל תחבר אותו לאספקת החשמל כאשר הוא מופעל, אחרת עלולות להיגרם תאונות.
- ◀ **הרחק כלי כוונות או מפתחות ברגים לפני שאתה מפעיל את כלי העבודה החשמלי.** כלי עבודה או מפתחות הנמצאים בקרבת חלקים מסתובבים עלולים לגרום פציעות.
- ◀ **הימנע מתנוחות גוף לא נכונות.** עמוד באופן יציב ושומר תמיד על שיווי משקל. כך תוכל לשלוט טוב יותר בכלי העבודה החשמלי במצבים לא צפויים.
- ◀ **לנבש בגדים מתאימים.** אל תלנש בגדים רחבים או תכשיטים. הרחק את השער, הבגדים וכפפות מחלקים נעים. בגדים רופפים, תכשיטים ושיער ארוך עלולים להיתפס בחלקים נעים.
- ◀ **כאשר ניתן להתקיף התקני שאיבת אבק ולכידה יש לוודא שהם מחוברים לחשמל, ויש להקפיד להשתמש בהם בצורה נכונה.** שימוש בהתקן שאיבת אבק מקטין את הסכנות הנובעות מהאבק.

#### שימוש וטיפול בכלי העבודה החשמלי

- ◀ **אל תפעיל עומס רב מדי על המכשיר.** השתמש בכלי העבודה החשמלי המתאים לעבודה שאתה מבצע. כלי העבודה החשמלי המתאים מבטיח לך עבודה טובה ובטוחה יותר בתחום ההספק הקבוע.
- ◀ **אל תשתמש בכלי העבודה אם המתג שלו אינו תקין.** כלי עבודה חשמלי שלא ניתן עוד להפעיל או לכבות אותו מהווה סכנה ויש לתקנו.
- ◀ **לפני ביצוע כוונים במכשיר, החלפת אבזר או אפסון המכשיר הקפד להסיר את הסוללה.** אמצעי זהירות זה מונע הפעלה בשוגג של כלי העבודה החשמלי.
- ◀ **שמור כלי עבודה חשמליים שאינם בשימוש הרחק מהישג ידם של ילדים.** אל תאפשר לאנשים שאינם יודעים כיצד להשתמש במכשיר או שלא קראו את ההוראות להשתמש במכשיר. כלי עבודה חשמליים הם מסוכנים כאשר משתמשים בהם אנשים חסרי ניסיון.
- ◀ **טפל בכלי העבודה החשמלי בקפדנות.** בדוק אם החלקים הנעים פועלים בצורה חלקה ואינם נתקעים, אם ישנם חלקים שבורים או מקולקלים המשבישים את הפעולה התקינה של כלי העבודה החשמלי. לפני השימוש במכשיר דאג לתיקון חלקים לא תקינים. תאונות רבות נגרמו עקב תחזוקה לקויה של כלי עבודה חשמליים.
- ◀ **שמור על כלי החיתוך חדים ונקיים.** כלי חיתוך מטופלים היטב, שלהביהם חדים נתקעים פחות וקלים יותר לתפעול.
- ◀ **השתמש בכלי העבודה החשמלי, באבזרים, בכלי העבודה הנוספים וכן הלאה בהתאם להוראות אלה.** התחשב בתנאי העבודה ובפעולה שעליך לבצע. שימוש בכלי העבודה החשמלי למטרות אחרות מאלה שלשמן הוא מיועד עלול להיות מסוכן.

#### שימוש וטיפול בכלי עבודה נטענים

- ◀ **טען את הסוללות רק במטענים שהומלצו על ידי היצרן.** טעינה של סוללה במטען המיועד לטעינה של סוללות מסוג אחר עלולה לגרום לשרפה.
- ◀ **השתמש לשם כך רק בסוללות המתאימות לכלי העבודה החשמלי.** שימוש בסוללות אחרות עלול לגרום לשרפות.
- ◀ **שמור סוללות שאינן בשימוש הרחק ממהדקי נייר משרדיים, ממתכנות, מפתחות, מסמרים, ברגים או חפצים מתכתיים קטנים אחרים שיכולים לגשר בין המגעים.** קצר בין מגעי הסוללה עלול לגרום לכוויות או לשרפה.
- ◀ **שימוש שגוי עלול לגרום לדליפת נוזלים מהסוללה.** אל תיגע בנוזלים אלה. נוזל סוללות שדלף עלול לגרום לגירויים בעור ולכוויות. אם נגעת בו במקרה, שטוף את האזור במים. אם הנוזל מוגע בעיניים, פנה לרופא.

#### שירות

- ◀ **דאג לתיקון כלי העבודה החשמלי שלך רק בידי טכנאים מוסמכים, המשתמשים בחלקי חילוף מקוריים בלבד.** כך תבטיח שמירה על ביטחון העבודה במכשיר.

## 2.2 הוראות בטיחות לאקדחי מסמרים

- ◀ **עליך להניח תמיד כי ישנם מסמרים בכלי העבודה החשמלי.** שימוש קל דעת באקדח המסמרים עלול לגרום לירי בלתי צפוי של מסמרים ולפציעות.
- ◀ **אל תכוון את כלי העבודה החשמלי לכיוונך או לכיוון אנשים אחרים.** ירי בשוגג יגרם לשרחור המסמר, מה שעלול לגרום לפציעות.
- ◀ **אין להפעיל את כלי העבודה החשמלי לפני שהוא מוצמד בחוזקה לחלק שבעבודה.** אם אין מגע בין כלי העבודה החשמלי לחלק שבעבודה, המסמר עלול להיחדף מהמקום.
- ◀ **אם נתקע מסמר בכלי העבודה החשמלי יש לנתק את כלי העבודה החשמלי מהחשמל או מהסוללה.** בעת הוצאת מסמר תקוע מהמכשיר בזמן שהוא מחובר לאספקת חשמל עלולה להתרחש ירייה בשוגג.
- ◀ **היה זהיר בעת הוצאת מסמר תקוע.** המערכת עשויה להיות דרוכה, כך שהמסמר יפלט בעוצמה בזמן שאתה מנסה לשרחור את ההיתקעות.
- ◀ **בעת חיבור קווי חשמל יש לוודא שהמתח אליהם מנותק.** אחוז רק באזורי האחיזה המבודדים באקדח המסמרים. השתמש רק במסמרים המתאימים להתקנת קווי חשמל. ודא שהמסמר אינו פוגע בבידוד של קו החשמל. מסמר שפגע בבידוד של כבל החשמל עלול לגרום להתחשמלות ולשרפה.



**הערות בטיחות בסיסיות**

**⚠ אזהרה! קרא את כל ההנחיות והוראות הבטיחות.** אי ציות להוראות הבטיחות ולהנחיות עלול להוביל להתחשמלות, לשרפה ו/או לפציעות קשות.  
שמור את כל הוראות הבטיחות וההנחיות לעין בעתיד.

**דרישות מהמשתמש**

◀ רק מי שהוסמך לכך ועבר הכשרה מתאימה רשאי לתפעל ולתחזק את המכשיר.

**ציוד מגן אישי**

- ◀ אתה והאנשים בקרבת מקום צריכים ללבוש משקפי מגן וקסדה בזמן השימוש.
- ◀ לבש במגני שמיעה.
- ◀ רעשים חזקים מדי עלולים לפגוע בשמיעה.

**בטיחות של אנשים**

- ◀ ציית להנחיות ההפעלה, הטיפול והתחזוקה המצוינות בהוראות ההפעלה.
- ◀ היה ערני, ישם לב למה שאתה עושה, ופעל בתבונה כאשר אתה עובד עם אקדחי מסמרים. אל תשתמש במכשיר כאשר אתה עייף או תחת השפעת סמים, אלכוהול או תרופות. הפסק לעבוד אם אינך חש בטוב או שיש לך כאבים. די ברגע אחד של חוסר תשומת לב בעת השימוש במכשיר כדי לגרום לפציעות קשות.
- ◀ עבוד תמיד בתנוחה נוחה. עמוד באופן יציב ושומר תמיד על שיווי משקל.
- ◀ לבש נעלי עבודה מונעות החלקה.
- ◀ עולם אין למשוך אחורה ידנית את מוליך המסמרים או את רכיבי החיבור.
- ◀ משיכה ידנית לאחור של מוליך המסמרים או רכיב חיבור עשויה להעביר את המכשיר למצב מוכן לירי. מצב זה מאפשר החדרה גם לאברי גוף.
- ◀ שמור על זרועות מכופפות (לא מתוחות) בזמן העבודה במכשיר.
- ◀ הרחק אנשים אחרים, ובמיוחד ילדים, מטווח הפעולה במהלך העבודה.

**טיפול ושימוש קפדניים בכלי עבודה להתקנות**

**⚠ אזהרה! סכנה מרכיבי חיבור חודרים!** לפני ההחדרה של רכיבי חיבור יש לוודא שאיש אינו נמצא מאחורי החלק שאליו מחזירים את רכיב החיבור.

- ◀ לפני תחילת העבודה נעץ בחומר שני רכיבי חיבור לניסיון.
- ◀ השתמש במכשיר המתאים לעבודה שלך. אין להשתמש במכשיר למטרות שלא לשמן הוא יועד, אלא רק בהתאם ללייעוד וכשהוא תקין לגמרי.
- ◀ אין להשאיר מכשיר טעון ללא השגחה.
- ◀ יש להוביל או לאחסן את המכשיר רק במזוודה מאובטחת.
- ◀ יש להקפיד לפרוק את המכשיר לפני ביצוע עבודות ניקוי, טיפול ותחזוקה, לפני החלפת מוליך המסמרים וכן לאחר הפסקת העבודה או לפני אחסון (רכיב חיבור).
- ◀ מכשירים שאינם בשימוש יש לאחסן פרוקים במקום סגור, הרחק מהישג יד של ילדים.
- ◀ יש לבדוק את המכשיר והאביזרים לאיתור נזקים אפשריים. בדוק שהחלקים הנעים פועלים בצורה תקינה לגמרי ואינם נתקעים או פגומים.
- ◀ כדי להבטיח עבודה תקינה של המכשיר כל החלקים חייבים להיות מותקנים בצורה נכונה וכל התנאים חייבים להתמלא. חלקים שניזוקו יש להביא לתיקון או להחלפה במעבדת שירות של Hilti, אלא אם צוין אחרת בהוראות ההפעלה.
- ◀ בדוק אם ישנם כבלי חשמל במקום המיועד להחדרת אביזר החיבור.
- ◀ אין להחדיר רכיבי חיבור לחומר שאינו מתאים.
- ◀ חומרים הם מתאימים הם פלדה מרוחכת ופלדה יצוקה, ברזל יצוק, זכוכית, שיש, פלסטיק, ארד, פליז, נחושת, חומר בידוד, לבני עץ, לבני קרמיקה, פחים דקים (> 4 מ"מ) ואיטוג. החדרה לחומרים אלה עלולה לגרום לשבריה, לפיצוץ של החומר או לחדירה מלאה דרך החומר.
- ◀ לחץ על ההדק רק כאשר המכשיר מוצמד בזווית ישרה לגמרי לחומר.
- ◀ בעת החדרה יש להחזיק את אקדח המסמרים בזווית ישרה לחומר, כדי למנוע סטייה של רכיב החיבור מהחומר.
- ◀ שמור על ידיות האחיזה יבשות, נקיות וללא שמן או גריד.
- ◀ מנע נפילה של המכשיר.
- ◀ אין להשתמש במחסנית כידית אחיזה.
- ◀ אין להשתמש במכשיר במקומות שקיימת בהם סכנה לשרפה או לפיצוץ, אלא אם התקבל אישור מיוחד.
- ◀ אין להחדיר רכיבים לחורים קיימים, אלא אם המולץ על ידי Hilti (כגון DX-Kwik).

**מקום העבודה**

- ◀ שמור על סדר במקום העבודה שלך. הרחק מסביבת העבודה חפצים שעלולים לפצוע אותך.
- ◀ אי-סדר במקום העבודה עלול לגרום לתאונות.
- ◀ דאג לתאורה טובה ולאוויר טוב באזור העבודה.

**אמצעי בטיחות מכניים**

- ◀ אין לבצע כל מניפולציה או שינוי במכשיר, ובמיוחד לא בבריח.





יש להשתמש רק ברכיבי חיבור שאושרו ויועדו למכשיר זה.

### אמצעי בטיחות תרמיים

- אין להרוג מתדירות ההחדרה המרבית המומלצת.
- אם המכשיר התחמם מדי, יש לאפשר לו להתקרר.
- אין לפרק את המכשיר כאשר הוא חם. אפשר למכשיר להתקרר.

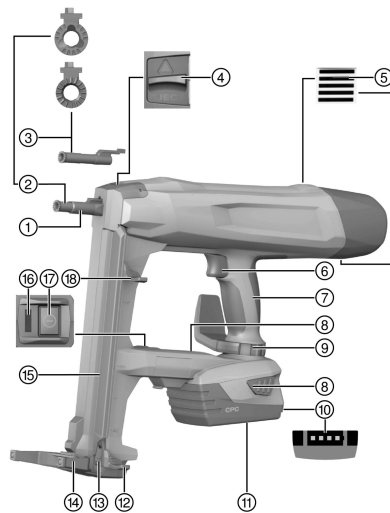
### 2.4 טיפול ושימוש קפדניים בסוללות נטענות

- ציית לתקנות הנוגעות להובלה, אחסון והפעלה של סוללות נטענות מסוג ליתיום-יון.
- הרחק את הסוללות ממקומות חמים מאוד, מקרינת שמש ישירה ומאש.
- אין לפרק, לטעון, לחמם לטמפרטורה גבוהה מ-80°C (176°F) או לשרוף את הסוללות הנטענות.
- אם להשתמש או לטעון סוללות שקיבלו מכה, שנפלו מגובה גבוה ממטר או שניזוקו באופן אחר. במקרה כזה יש ליצור קשר עם השירות של Hilti.
- אם הסוללה חמה כל כך שלא ניתן לגעת בה, ייתכן שהיא אינה תקינה. הנח את הסוללה במקום לא דליק, גלוי, רחוק מספיק מחומרים דליקים. אפשר לסוללה להתקרר. אם כעבור שעה הסוללה עדיין חמה מדי לנגיעה, אז היא פגומה. צור קשר עם השירות של Hilti.

### 3 תיאור

#### 3.1 סקירת המוצר

- ① קנה המכשיר
- ② מוליך מסמרים X-FG B3-ME 02
- ③ מוליך מסמרים X-FG B3-IF 02
- ④ נעילת מוליך המסמרים
- ⑤ חריצי אוורור
- ⑥ הדק בטיחות
- ⑦ ידית אחיזה
- ⑧ לחצני שחרור
- ⑨ תפס להגורה / וו לפיגומים
- ⑩ חיווי רמת טעינה
- ⑪ סוללת ליתיום-יון
- ⑫ דוחף מסמרים, מצב נעול
- ⑬ משחרר דוחף המסמרים
- ⑭ רגלית
- ⑮ מחסנית
- ⑯ חיווי מצב
- ⑰ לחצן הדלקה/כיבוי
- ⑱ דוחף מסמרים, מצב משוחרר



#### 3.2 שימוש בהתאם ליעוד

המוצר הוא אקדח מסמרים ידני, המופעל באמצעות סוללה נטענת, ומיועד לשימוש בתוך מבנים. הוא מיועד להחדרת רכיבי חיבור מיוחדים לבטון, פלדה, קירות לבנים, אבן גיר וחומרי בנייה אחרים. המוצר מיועד גם לעיגון כבלים חשמליים באמצעות תפסים, בהנחה שמשתמשים ברכיבי החיבור המתאימים למטרה זו. השתמש רק ברכיבי חיבור מאושרים בשילוב עם מוליך מסמרים ייעודי (ראה הפרק "נתונים טכניים").

אקדח המסמרים, הסוללה הנטענת ורכיבי החיבור מהווים יחידה טכנית אחת. משמעות הדבר היא שניתן להבטיח חיבור נטול תקלות באמצעות אקדח המסמרים רק בתנאי משתמשים ברכיבי החיבור הייעודיים של Hilti ובמטענים ובסוללות המומלצים של Hilti. המלצות העבודה השימוש של Hilti תקפות רק כשמקפידים על תנאים אלה.

אקדח המסמרים מיועד לשימוש ידני בלבד.



- יש למנוע שימוש שגוי. החדרה לחומר רך מאוד (כגון עץ) והחדרה לחומר קשה מדי (כגון פלדה קשיחה מאוד או אבן טבעית קשיחה מאוד) נחשבות לשימוש שגוי.
- השתמש עבור מוצר זה רק בסוללות ליתיום-יון של Hilti מסדרת הדגמים B 22.
- השתמש עבור סוללות נטענות אלה רק במטענים שאושרו על ידי Hilti. מידע נוסף תמצא ב-Hilti Store או בכתובת: [www.hilti.group](http://www.hilti.group)

### 3.3 התקני בטיחות

פונקציית זיהוי המסמרים אמורה למנוע בעת עבודה עם מחסנית החדרות שגויות, שעלולות לגרום נזקים למכשיר. אבטחת הלחיצה אמורה למנוע החדרת מסמרים חופשית. בעת עבודה עם מחסנית ניתן לבצע הצמדת לחיצה והחדרה רק כאשר ישנו מסמר במחסנית.

### 3.4 מאפיינים טכניים

אקדח המסמרים מצויד בידית אחיזה ארגונומית, מונעת החלקה ומשככת רעידות, וזיבור לפיגומים ותפס חגורה וכן ברגלית תמיכה. המכשיר מוגן מפני עומס יתר באמצעות הגנת עומס יתר אלקטרונית ומפני התחממות יתר באמצעות פונקציית ניטור טמפרטורה.

### 3.5 Bluetooth

המוצר כולל ממשק Bluetooth. כאשר ישנה סוללה במכשיר והמכשיר מופעל, תתאפשר תקשורת Bluetooth. מרגע שהמכשיר עובר למצב המתנה או לאחר שאקדח המסמרים כובה באמצעות לחצן הפעלה/כיבוי, תקשורת הנתונים תמשיך עוד שלוש שעות. כדי לבטל באופן יזום את Bluetooth יש ללחוץ על לחצן הפעלה/כיבוי למשך 5 שניות רצופות לפחות, עד שהנורית המבהבת פעמיים בכחול. לאחר הוצאת הסוללה לא ישודרו עוד נתונים. Bluetooth אינו זמין בכל השוקים.

### 3.5.1 Bluetooth

בסוף תיעוד זה ישנם סמלי אישור ספציפיים למדינה Bluetooth.

### 3.6 חיווי מצב

חיווי המצב מציג מידע על מצבי אקדח המסמרים.

מצב	משמעות
כבוי	אקדח המסמרים כבוי
הנורית מאירה בירוק.	אקדח המסמרים דולק ומוכן להחדרה
הנורית מבהבת כל שלוש שניות בירוק.	אקדח המסמרים נמצא במצב המתנה, לחיצת קנה המכשיר תפעיל את המכשיר
הנורית מאירה בכחול.	אקדח המסמרים מופעל, יש לטעון פס מסמרים
הנורית מבהבת בכחול.	אקדח המסמרים מופעל, המחסנית ריקה לגמרי
הנורית מבהבת בירוק.	אקדח המסמרים חם מדי או הסוללה חלשה, ראה טבלת התקלות
הנורית מבהבת באדום.	תקלה במכשיר, ראה טבלת התקלות
הנורית מאירה באדום.	תקלה במכשיר, ראה טבלת התקלות

### 3.7 חיווי רמת טעינת הסוללה

בעת לחיצה על לחצן שחרור הסוללה תוצג רמת הטעינה של הסוללה.

במהלך החדרה ומיד לאחריה המידע על רמת הטעינה לא יהיה אמין.



מצב	משמעות
כל ארבע הנוריות מאירות בירוק.	רמת הטעינה היא 75% עד 100%.
שלוש נוריות מאירות בירוק.	רמת הטעינה היא 50% עד 75%.
שתי נוריות מאירות בירוק.	רמת הטעינה היא 25% עד 50%.



מצב	משמעות
נורית אחת מאירה בירוק.	רמת הטעינה היא 10% עד 25%.
נורית אחת מבהבת בירוק.	רמת הטעינה נמוכה מ-10%. הסוללה חלשה מדי.

### 3.8 מפרט אספקה

אקדח מסמרים BX 3 או BX 3-L, הוראות הפעלה.

מוצרים נוספים המאפשרים עבור המוצר שלך תמצא ב-Hilti Store או בכתובת: [www.hilti.group](http://www.hilti.group)

### 4 בתונים טכניים

#### 4.1 אקדח מסמרים

BX 3-L	BX 3		
4.0 ק"ג	4.0 ק"ג	B 22/2.6 Li-Ion (02)	משקל בהתאם להליך EPTA מתאריך 01/2003
4.1 ק"ג	4.1 ק"ג	B 22/3.0 Li-Ion (01)	
4.3 ק"ג	4.3 ק"ג	B 22/5.2 Li-Ion (01)	
14 מ"מ ... 36 מ"מ	14 מ"מ ... 30 מ"מ	אורך מסמר במחסנית	
46 מ"מ	52 מ"מ	בגישות	
3.0 מ"מ ... 2.75 מ"מ	3 מ"מ	קוטר מסמר	
30 מסמרים	30 מסמרים	קיבולת מחסנית	
12 מ"מ	12 מ"מ	מהלך לחיצה	
70 ניוטון ... 70 ניוטון	50 ניוטון ... 70 ניוטון	כוח לחיצה	
50 °C ... -15 °C	50 °C ... -15 °C	טמפרטורת עבודה (טמפרטורת סביבה)	
שעה/650	שעה/650	תדירות החדרה מומלצת	
21.6 וולט	21.6 וולט	מתח בקוב	
-11.9 dBm	-11.9 dBm	הספק שידור מקסימלי	
2,400 מגה הרץ ... 2,483.5 מגה הרץ	2,400 מגה הרץ ... 2,483.5 מגה הרץ	תדר	

#### 4.2 ערכי רעש לפי EN 60745

ערכי לחץ הקול והרעידות המצוינים בהוראות אלה נמדדו בהתאם להליך המדידה התקני, וניתן להשתמש בהם לצורך השוואה בין כלי עבודה חשמליים. הם מתאימים גם להערכה זמנית של העומסים. הנתונים המצוינים תקפים לשימושים העיקריים בכלי העבודה החשמלי. אולם אם משתמשים בכלי העבודה החשמלי לשימושים אחרים, בשילוב אביזרים אחרים או אם המכשיר אינו עובר תחזוקה מספקת, הנתונים עשויים להשתנות. בעקבות זאת החשיפה לעומסים במשך זמן העבודה הכולל עשויה להיות גבוהה באופן משמעותי. לצורך הערכה מדויקת של העומסים יש לקחת בחשבון גם את הזמנים שבהם המכשיר כבוי או שבהם הוא אמנם פועל אך אינו בשימוש בפועל. בעקבות זאת פריסת העומסים למשך זמן העבודה כולו עשויה להיות נמוכה באופן משמעותי. יש לקבוע הנחיות בטיחות נוספות להגנה על המשתמש מפני ההשפעות של קול/אזעקות, כגון: תחזוקה של כלי העבודה החשמלי ושל כלי העבודה המחבורים, שמירה על ידיים חמות, ארגון תהליכי העבודה.

#### מידע על רעשים ורעידות

101 dB	בטון	רמת הספק קול אופיינית בדירוג A (בהחזרת מסמרים) ( $L_{WA}$ )
105 dB	פלדה	
90 dB	בטון	רמת לחץ קול אופיינית בדירוג A (בהחזרת מסמרים) ( $L_{pA}$ )
94 dB	פלדה	
3 dB		אי-ודאות ברמת הקול המצוינות (K)

ערכי רעידות חד-ציריים מרביים (בכיוון z)

2.3 מ'שני <sup>2</sup>	בטון	ערכי רעידות (בהחזרת מסמרים) ( $a_h$ )
2.2 מ'שני <sup>2</sup>	פלדה	
1.5 מ'שני <sup>2</sup>		אי ודאות (K)



21.6 וולט	<b>מתח עבודה עם סוללה בטענת</b>
60 °C ... -17 °C	<b>טמפרטורת סביבה בעבודה</b>
40 °C ... -20 °C	<b>טמפרטורת אחסון</b>
45 °C ... -10 °C	<b>טמפרטורת הסוללה בתחילת הטעינה</b>

**5 הכנה לעבודה**
**אזהרה**

**סכנת פציעה עקב התחלת תנועה בשוגג!**

- ▶ לפני חיבור הסוללה ודא שהמוצר כבוי.
- ▶ הסר את הסוללה לפני שאתה מבצע כווננים כלשהם במכשיר או מחליף אביזרים.

ציית להוראות הבטיחות והאזהרות שבתיעוד זה ולא להל המצוינות על המוצר.

**5.1 חיבור הסוללה**

כדי לנצל את משך החיים המרבי של הסוללות, יש להחליף את הסוללה המחוברת למכשיר ברגע שההספק שלה יורד באופן ניכר.

1. ודא שמגעי הסוללה והמכשיר נקיים מגופים זרים.
2. חבר את הסוללה וודא שהיא נבעלת בצליל נקישה.
- ▶ לאחר חיבור הסוללה יאירו נוריות לחיווי רמת הטעינה.

**זהירות**

**סכנת מניפולט סוללה.** אם הסוללה אינה מחוברת היטב, היא עלולה ליפול במהלך העבודה.

- ▶ ודא תמיד שהסוללה מחוברת יציב.
- 3. ודא שהסוללה מחוברת היטב לאקדח המסמרים.

**5.2 הסרת הסוללה**

1. כבה את אקדח המסמרים. ← עמוד 23
2. לחץ על שני לחצני השחרור והחזק אותם לחוצים.
3. הסר את הסוללה לאחר מהמכשיר.

**5.3 הסרת מוליך המסמרים**

1. כבה את אקדח המסמרים. ← עמוד 23
2. הסר את הסוללה. ← עמוד 22
3. משוך את דוחף המסמרים מטה עד שהוא נתפס.
4. רוקן את המחסנית. ← עמוד 24
5. דחף את נעילת מוליך המסמרים בכיוון החץ עד הסוף.
- ▶ מוליך המסמרים ישתחרר.
6. הסר את מוליך המסמרים.

**5.4 חיבור מוליך המסמרים**

1. כבה את אקדח המסמרים. ← עמוד 23
2. הסר את הסוללה. ← עמוד 22
3. משוך את דוחף המסמרים מטה עד שהוא נתפס.
4. רוקן את המחסנית. ← עמוד 24
5. דחף את נעילת מוליך המסמרים בכיוון החץ עד הסוף, והחזק אותה במצב זה.
6. דחף את מוליך המסמרים אל הקנה עד שאתה שומע אותו נתפס.
7. שחרר את נעילת מוליך המסמרים.
- ▶ נעילת מוליך המסמרים תקפוץ לעמדה האמצעית.
8. משוך את מוליך המסמרים לצורך בדיקה שהוא יושב יציב.



## 5.5 עבודה בטוחה עם תפס החגורה והו לפיגומים 4

- ◀ ודא לפני תחילת העבודה שתפס החגורה / וו החיבור לפיגומים מעוגן למכשיר בבטחה.
- ◀ השתמש בתפס החגורה / וו החיבור לפיגומים רק כל עוד הדבר נחוץ. הנח את המכשיר במקום בטוח אם אינך משתמש בו זמן רב.

## 5.6 טעינה לצורך החדרה באמצעות מחסנית 5

### ⚠ אזהרה

- סכנת מעיכה!** החדרה המהירה של דוחף המסמרים עלולה לגרום לפציעות מעיכה ולנזקים לאקדח המסמרים.
- ◀ בעת משיכה מטה של דוחף המסמרים יש לוודא כי הוא נתפס בבטחה. אין לגרום למצב שבו מוליך המסמרים חוזר אחורה במהירות.

1. משוך את דוחף המסמרים מטה עד שהוא נתפס.
2. החזק את פטי המסמרים למחסנית (עד 3 פסים של 10 מסמרים כל אחד).
3. החזק היטב את דוחף המסמרים ולחץ על משחרר דוחף המסמרים.
4. משוך אחורה את דוחף המסמרים עד שהוא נוגע במסמר.

## 6 עבודה

### 6.1 שימוש ברגלית

שימוש ברגלית על משטח ישר לצורך תמיכה מקל על כיוון זווית ישרה של אקדח המסמרים, כיוון שכאשר הרגלית מותקנת יש צורך לבדוק זווית ישרה רק בצדדים. על משטח לא מאוזן צריך לעתים לקפל את הרגלית כדי ליישר את מוליך המסמרים בזווית ישרה לחומר.

#### 6.1.1 סגירת הרגלית 3

1. דחף את הרגלית כדי לשחרר אותה מהנעילה.
2. הטה את הרגלית כ-230° בחזרה.
3. לחץ מלמטה על הרגלית כדי לנעול אותה במצב סגור.

#### 6.1.2 פתיחה הרגלית 3

### ⚠ זהירות

- סכנת מעיכה!** בעת קיפול הרגלית קיימת סכנה שהאצבע תימחץ בין הרגלית לבין גוף המכשיר.
- ◀ בעת קיפול הרגלית יש לאחוז באקדח המסמרים בידי האחיזה.

1. דחף את הרגלית כדי לשחרר אותה מהנעילה.
2. הטה את הרגלית כ-230° קדימה.
3. לחץ מלמטה על הרגלית כדי לנעול אותה במצב פתוח.

### 6.2 הדלקה/כיבוי של אקדח המסמרים

#### 6.2.1 הדלקת אקדח המסמרים

### ⚠ אזהרה

- סכנת פציעה!** בעקבות לחיצת אקדח המסמרים לאבר גוף עלולה להשתחרר ירייה בשוגג וכך לגרום לפציעות קשות.
- ◀ **לעולם אין להצמיד את אקדח המסמרים לכף היד או לאבר גוף אחר.**

- ◀ לחץ על לחצן ההדלקה/כיבוי.
- ◀ ניתן לשמוע את הרכיב הקפיצי במתח, וחיווי המצב מאיר בירוק.

**i** כאשר הספק הסוללה נמוך, מתיחת הרכיב הקפיצי אטית יותר מאשר כאשר הסוללה מלאה. כשהטמפרטורה נמוכה יורדים ביצועי הסוללה.  
כאשר הספק הסוללה יורד מאוד יכבה אקדח המסמרים לפני שייגרם נזק לתאי הסוללה.

#### 6.2.2 כיבוי אקדח המסמרים

- ◀ לחץ על לחצן ההדלקה/כיבוי.
- ◀ ניתן לשמוע את שחרור הרכיב הקפיצי, וחיווי המצב נכבה.




**אזהרה** 


**סכנת פציעה עקב חלקים מתעופפים!** במהלך ההחדרה קיימת סכנת פציעות לגוף ובמיוחד לעיניים עקב נתדים של חומר או חלקים מפס המסמרים שבזרקים לחלל.  
 ▶ **לבש תמיד ציוד מגן אישי, כפפות הגנה ומגני עיניים.** גם אנשים אחרים בקרבת מקום חייבים ללבוש משקפי מגן וקסדת מגן.

**אזהרה** 

**סכנת פציעה!** בעקבות לחיצת אקדח המסמרים לאבר גוף עלולה להשתחרר ירייה בשוגג וכך לגרום לפציעות קשות.  
 ▶ **לעולם אין להצמיד את אקדח המסמרים לכף היד או לאבר גוף אחר.**

1. הדלק את אקדח המסמרים. – עמוד 23
2. הצמד את אקדח המסמרים בזווית ישרה לחומר ולחץ את מוליך המסמרים עד למעצור.
3. לחץ על הדק הבטיחות כדי להחזיר את רכיב החיבור.
4. הרחק את אקדח המסמרים במלואו מהחומר לאחר ההחדרה.


לחיצת מוליך המסמרים לחומר למשך יותר מ-6 שניות בלי שתבצע החדרה תגרום לכיבוי אוטומטי של אקדח המסמרים. ניתן ללחוץ על מתג ההפעלה/כיבוי כדי להפעיל מחדש את אקדח המסמרים. 

 אם אין משתמשים באקדח המסמרים במשך 6 דקות, הרכיבים הקפיציים נרפים ואקדח המסמרים עובר אוטומטית למצב המתנה. ברגע שמצמידים את אקדח המסמרים לחומר, הרכיבים הקפיציים נמתחים מחדש אוטומטית ואקדח המסמרים עובר למצב מוכן להחדרה.

אם אקדח המסמרים נמצא יותר משלוש שעות במצב המתנה, הוא יכבה אוטומטית. ניתן ללחוץ על מתג ההפעלה/כיבוי כדי להפעיל מחדש את אקדח המסמרים.

6.4 כיבוי Bluetooth

- ▶ לחץ על לחצן ההדלקה/כיבוי למשך 5 שניות רצופות לפחות, עד שהנורית מאירה פעמיים בכולו.
- ▶ לא תתאפשר עוד העברת נתונים.
- ▶ Bluetooth אינו זמין בכל השווקים.

כשאתה נמצא בסביבה רגישה (כגון בית חולים), שבה אסור להשתמש ב-Bluetooth, אפשר לבטל את ה-Bluetooth. 

6.5 הסרת מסמרים במצב החדרה באמצעות מחסנית

1. משוך את דוחף המסמרים מטה עד שהוא נתפס.
2. דחף את המסמר למטה והחוצה מהמחסנית.
3. החזק היטב את דוחף המסמרים ולחץ על משחרר דוחף המסמרים.
4. העבר את דוחף המסמרים לאחור למצב המוצא.

6.6 מסמרים תקועים

מסמרים בודדים עשויים להיתקע במוליך המסמרים. בעזרת ערכת המקב X-NP ניתן להוציא את המסמר התקוע ממוליך המסמרים. את האביזרים ניתן למצוא במרכז שיווק של Hilti או באינטרנט בכתובת [www.hilti.com](http://www.hilti.com).

**אזהרה** 

**סכנת פציעה ונזק לאקדח המסמרים.** שימוש בחפצים לא מתאימים במקום האביזרים המקוריים המומלצים של Hilti עלול להוביל לפציעות ולנזקים לאקדח המסמרים.  
 ▶ לצורך שחרור מסמרים תקועים יש להשתמש אך ורק בערכת המקב המומלצת.

**אזהרה** 

**סכנת פציעה עקב חלקים מתעופפים!** ההחדרה יכולה לגרום לפציעה עקב חלקים מתעופפים כאשר ישנם גופים זרים באזור מוליך המסמרים או כאשר רכיב החיבור נתקע במוליך המסמרים.  
 ▶ לעולם אל תנסה לתקן תקלה באקדח המסמרים באמצעות ירייה נוספת!

6.6.1 שחרור מסמר תקוע

1. הוצא את מוליך המסמרים (ראה – עמוד 22).
2. הכנס את מוליך המסמרים אל השרול של ערכת המקב.
3. דחף את המסמר התקוע החוצה בעזרת המקב ופטיש.



## 7 טיפול ותחזוקה

### 7.1 טיפול ותחזוקה

#### ⚠ אזהרה

#### סכנת פציעה כאשר הסוללה מחוברת!

← לפני ביצוע עבודות טיפול ותחזוקה כלשהן יש להקפיד להסיר את הסוללה!

#### טיפול במוצר

- הסר בזהירות לכלוך דבוק.
- אם ישנם, נקה את חריצי האוורור בזהירות בעזרת מברשת רכה ויבשה.
- נקה את גוף המכשיר רק באמצעות מטלית לחה מעט. אל תשתמש בחומרי טיפול המכילים סיליקון, מאחר שהם עלולים לפגוע בחלקי הפלסטיק.
- נקה את המגעים באמצעות מטלית נקייה ויבשה.

#### טיפול בסוללות ליתיום-יון

- לעולם אין להשתמש בסוללה שחריצי האוורור שלה סתומים. נקה את חריצי האוורור בזהירות בעזרת מברשת רכה ויבשה.
- מנע חשיפת הסוללה לאבק ולכלוך שלא לצורך. בשום אופן אין לחשוף את הסוללה ללחות גבוהה (לדוגמה להטביל אותה במים או להניח אותה בגשם).
- אם הסוללה נרטבה מאוד, יש להתייחס אליה כאל סוללה פגומה. בודד אותה במיכל לא דליק ופנה לשירות של Hilti.
- שמור על הסוללה נקייה משמן וגריד לא שייכים. אל תאפשר הצטברות מיותרת של לכלוך ואבק על הסוללה. נקה את הסוללה במטלית יבשה ורכה או במטלית נקייה ויבשה. אל תשתמש בחומרי טיפול המכילים סיליקון, מאחר שהם עלולים לפגוע בחלקי הפלסטיק.
- אל תיגע במגעים של הסוללה ואל תסיר מהמגעים גריד שהושם במפעל.
- נקה את גוף המכשיר רק באמצעות מטלית לחה מעט. אל תשתמש בחומרי טיפול המכילים סיליקון, מאחר שהם עלולים לפגוע בחלקי הפלסטיק.

#### תחזוקה

- בדוק באופן סדיר את כל החלקים הגלויים כדי לאתר נדקים ולוודא שכל הרכיבים פועלים באופן תקין.
- אל תפעיל את המוצר אם ישנם נדקים ו/או תקלות. פנה מיד לשירות של Hilti כדי לתקן את המוצר.
- לאחר עבודות טיפול ותחזוקה יש להתקין בחזרה את כל ציוד ההגנה ולבדוק שהוא פועל בצורה תקינה.

לצורך הפעלה בטוחה של המכשיר יש להשתמש רק בחלקי חילוף וחומרים מתכלים מקוריים. את חלקי החילוף, החומרים המתכלים והאביזרים שאושרו על ידי Hilti עבור המוצר שלך תמצא ב-Hilti Store שלך או בכתובת: [www.hilti.group](http://www.hilti.group)

### 7.2 ביקוי הצד הפנימי של קנה המכשיר

1. הסר את מוליך המסמרים. ← עמוד 22
2. נקה את הצד הפנימי של קנה המכשיר.
3. חבר את מוליך המסמרים. ← עמוד 22

## 8 הובלה ואחסון של כלי עבודה בטענים וסוללות

#### הובלה

#### ⚠ זהירות

#### התחלת פעולה בשוגג במהלך הובלה!

← יש להוביל את המכשיר כשהסוללה מנותקת ממנו!

- ← הוצא את הסוללה/ות.
- ← לעולם אין להוביל את הסוללה בצורה חופשית בין עצמים לא ארוזים. בזמן ההובלה הסוללות צריכות להיות מוגנות מפני חבטות ורעידות רבות וכן מבודדות מפני חומרים מוליכים כלשהם או סוללות אחרות, כדי שלא ייווצר מגע בינן לבין מגעים של סוללות אחרות ועקב כך קצר. **שים לב לכללי ההובלה במדינתך בנוגע לסוללות.**
- ← אסור לשלוח סוללות בדואר. אם אתה רוצה לשלוח סוללות לא פגומות, פנה לשם כך לחברת משלוחים והובלות.
- ← בדוק אם ישנם נדקים במוצר ובסוללות לפני כל שימוש וכן לפני הובלה ארוכה.



**אזהרה**
**נזק לא מכוון כשהסוללות פגומות או דולפות!**

יש לאחסן את המכשיר כשהסוללה מנותקת ממנו!

- ◀ אחסן את המוצר והסוללות במקום קריר ויבש. שים לב לערכי הגבול של הטמפרטורה, כמוצין בנתונים הטכניים.
- ◀ אין לאחסן סוללות על המטען. הקפד להוציא את הסוללה מהמטען בסיום תהליך הטעינה.
- ◀ לעולם אין לאחסן סוללות בשמש, על מקורות חום או מאחורי זכוכית.
- ◀ אחסן את המוצר והסוללה הרחק מהישג ידם של ילדים או אנשים לא מורשים.
- ◀ בדוק אם ישנם נזקים במוצר ובסוללות לפני כל שימוש וכן לפני אחסון ממושך.

**9 תקינות תקלות**

אם מתרחשת תקלה שאינה מוסברת בטבלה זה או שאינך יכול לתקן בעצמך, פנה לשירות של Hilti.

תקלה	סיבה אפשרית	פתרון
הרכיב הקפיצי אינו נמתח; אין חיווי מצב.	סוללה ריקה.	◀ החלף את הסוללה.
הקפיץ נמתח באחור, חיווי הסטטוס מהבהב בכחול, בא בעת נשמע אות צלילי; אז חיווי הסטטוס מאיר במשך 6 דקות בכחול.	הסוללה אינה מחוברת נכון.	◀ חבר את הסוללה. ← עמוד 22
הרכיב הקפיצי אינו נמתח, חיווי המצב מהבהב בירוק ונורית אחת של חיווי רמת הטעינה מהבהבת.	מחסנית ריקה.	◀ טען מסמרים למחסנית. ← עמוד 23
הרכיב הקפיצי אינו נמתח, נורית חיווי המצב מהבהבת בירוק, וארבע הנוריות של חיווי רמת הטעינה מהבהבות.	סוללה ריקה.	◀ החלף את הסוללה.
הרכיב הקפיצי אינו נמתח, נורית חיווי המצב מהבהבת בירוק, וארבע הנוריות של חיווי רמת הטעינה מהבהבות.	טמפרטורת הסוללה נמוכה מדי.	◀ אפשר לסוללה להתחמם בהדרגה לטמפרטורת החדר.
הרכיב הקפיצי אינו נמתח וחיווי המצב מהבהב באדום.	טמפרטורה גבוהה מדי באקדח המסמרים.	◀ אפשר לאקדח המסמרים להתקרר.
הרכיב הקפיצי אינו נמתח וחיווי המצב מהבהב באדום.	מוליך המסמרים אינו מחובר נכון.	◀ חבר את מוליך המסמרים. ← עמוד 22
הרכיב הקפיצי אינו נמתח וחיווי המצב מאיר באדום.	תקלה במכשיר.	◀ פנה למעבדת שירות של Hilti.
לא ניתן ללחוץ את מוליך המסמרים, וחיווי המצב מאיר בירוק.	מחסנית ריקה.	◀ טען מסמרים למחסנית. ← עמוד 23
	דוחף המסמרים תקוע.	◀ הוצא את פס המסמרים מהמחסנית ונקה את המחסנית.
	מסמר תקוע במוליך המסמרים.	◀ שחרר את המסמר התקוע. ← עמוד 24
מוליך המסמרים תקוע במצב לחוץ.	לכלוך בין מוליך המסמרים לקנה המכשיר.	◀ נקה את הצד הפנימי של קנה המכשיר. ← עמוד 25

**10 סילוק**
**אזהרה**
**סכנת פציעה בעקבות סילוק לא תקין!** סכנה בריאותית מהשתחררות גדים ונודלים.

- ◀ אין לשלוח סוללות פגומות!
- ◀ כסה את החיבורים באמצעות חומר לא מוליך, כדי למנוע קצר.
- ◀ סלק סוללות כך שהן לא יוכלו להגיע לידיהם של ילדים.
- ◀ סלק את הסוללה ב-Hilti Store או פנה לחברת המיחזור האחראית.

המוצרים של Hilti מיוצרים בחלקם מגדול מחומרים ניתנים למיחזור. כדי שניתן יהיה למחזרם דרושה הפרדת חומרים מקצועית. במדינות רבות Hilti תקבל את המכשיר הישן שלך בחזרה לצורך מיחזור. פנה לשירות של Hilti או למשווק.

אין להשליך כלי עבודה חשמליים, כלים אלקטרוניים וסוללות לפסולת הביתית!












בקישור הבא תמצא את טבלת החומרים המסוכנים: [qr.hilti.com/r/7775857](http://qr.hilti.com/r/7775857) BX3-L [qr.hilti.com/r/7775899](http://qr.hilti.com/r/7775899) BX3 .  
קישור לטבלת RoHS תמצא בסוף תיעוד זה, בצורת קוד QR.

אם יש לך שאלות בנושא תנאי האחריות, אנא פנה למשווק **Hilti** הקרוב אליך. ◀





BRA	 <p>Este equipamento não tem direito à proteção contra interferência prejudicial e não pode causar interferência em sistemas devidamente autorizados.</p>
CAN	<p><b>Product Name: PAN1740</b>  <b>Contains IC: 216Q-1740</b></p> <p>This device contains license-exempt transmitter(s)/receiver(s) that comply with Innovation, Science and Economic Development Canada's license-exempt RSS(s). Operation is subject to the following two conditions: (1) this device may not cause interference, and (2) this device must accept any interference received, including interference that may cause undesired operation.</p> <p>L'émetteur/récepteur exempt de licence contenu dans le présent appareil est conforme aux CNR d'Innovation, Sciences et Développement économique Canada applicables aux appareils radio exempts de licence. L'exploitation est autorisée aux deux conditions suivantes : (1) l'appareil ne doit pas produire de brouillage, et (2) l'utilisateur de l'appareil doit accepter tout brouillage radioélectrique subi, même si le brouillage est susceptible d'en compromettre le fonctionnement.</p>
JPN	 <p><b>MIC ID: R 202-SMF099</b></p>
KOR	 <p>R-R-JZ3-BX3-02</p> <p>Company Name: <b>Hilti Corporation</b>  Equipment Name: <b>Tacker</b>  Model Name: <b>BX 3</b>  Manufactured Date: <b>2019</b>  Manufacturer / Country: <b>Hilti Corporation / Germany</b></p>
MEX	  <p><b>RCPAPA19-0332</b></p>
PHL	 <p><b>NTC - Type Approved</b>  BX3-BT (02): No. ESD - 1818394C BX3-L (02): No. ESD - 1818393C  BX3-ME (02): No. ESD - 1818395C</p>
QAT	<p><b>ictQATAR</b>  <b>Type Approval reg. No.:</b></p> <p>BX3 BT (02): CRA/SA/2019/R-7726.  BX3 L (02): CRA/SA/2019/R-7727</p>

SGP	<b>Complies with IMDA Standards</b>		
	BX3-BT (02) <div style="border: 1px solid black; padding: 5px; width: fit-content; margin: auto;">           Complies with            IMDA Standards            N0625-19         </div>	BX3-L (02) <div style="border: 1px solid black; padding: 5px; width: fit-content; margin: auto;">           Complies with            IMDA Standards            N0625-19         </div>	BX3-ME (02) <div style="border: 1px solid black; padding: 5px; width: fit-content; margin: auto;">           Complies with            IMDA Standards            N0625-19         </div>
ZAF	 <div style="float: right; text-align: right;"> <b>TA-2018/3756 APPROVED</b> </div>		
USA	<b>Product name: PAN1740</b> <b>Contains FCC ID: T7V1740</b>  FCC Warnings This device contains license-exempt transmitter(s)/receiver(s) that comply with Innovation, Science and Economic Development Canada's license-exempt RSS(s). Operation is subject to the following two conditions: (1) this device may not cause interference, and (2) this device must accept any interference received, including interference that may cause undesired operation.		
UAE	BX3-L(02) <div style="border: 1px solid black; padding: 5px; width: fit-content; margin: auto;">           TRA            REGISTERED No:            ER69968/19            Dealer No:            DA80971/19         </div>		BX3-BT(02) <div style="border: 1px solid black; padding: 5px; width: fit-content; margin: auto;">           TRA            REGISTERED No:            ER69969/19            Dealer No:            DA80971/19         </div>



BX3-L





**en Declaration of conformity****Declaration of conformity**

The manufacturer declares, on his sole responsibility, that the product described here complies with the applicable legislation and standards.

The technical documentation is filed here:

**Hilti** Entwicklungsgesellschaft mbH | Tool Certification | Hiltistrasse 6 | D-86916 Kaufering, Germany

**Product information**

Fastening tool	BX 3   BX 3-L
Generation	02
Serial no.	



## הצהרת תאימות

היצרן מצהיר באחריותו הבלעדית כי המוצר המתואר כאן עונה על דרישות החוק התקפות והתקנים התקפים.

התיעוד הטכני שמור כאן:

Hilti Entwicklungsgesellschaft mbH | Zulassung Geräte | Hiltistraße 6 | 86916 Kaufering, Germany

## נתוני המוצר

BX 3   BX 3-L	אקדח מסמרים
02	דור
	מס' סידורי

## Hilti Corporation

Feldkircherstraße 100  
9494 Schaan | Liechtenstein

**BX 3 (02) | BX 3-L (02) | BX 3-ME (02) | BX 3-BT (02) | BX 3-SCT (02)**

2006/42/EC

2014/53/EU

2011/65/EU

EN 60745-1:2009, A11:2010

EN 60745-2-16:2010

EN 301 489-1 V2.1.1

EN 301 489-17 V3.1.1

EN 300 328 V2.2.2



Schaan, 06.02.2024

**Klaus Bertsch**

Head of Quality and Process Management  
Business Area Direct Fastening

**Rafael Garcia**

Head of BU Direct Fastening  
Business Unit Direct Fastening





**en UK Declaration of Conformity****Declaration of conformity**

The manufacturer declares, on his sole responsibility, that the product described here complies with the applicable legislation and standards.

The technical documentation is filed here:

**Hilti** Entwicklungsgesellschaft mbH | Tool Certification | Hiltistrasse 6 | D-86916 Kaufering, Germany

**Product information**

Fastening tool	BX 3   BX 3-L
Generation	02
Serial no.	

**Manufacturer:**  
**Hilti Corporation**  
Feldkircherstraße 100  
9494 Schaan | Liechtenstein

**UK Importer:**  
**Hilti (Gt. Britain) Limited**  
No. 1 Circle Square, 3 Symphony Park  
Manchester, England, M1 7FS



**BX 3 (02) | BX 3-L (02) | BX 3-ME (02) | BX 3-BT (02) | BX 3-SCT (02)**

Supply of Machinery (Safety) Regulations 2008

EN 60745-1:2009, A11:2010

Radio Equipment Regulations 2017

EN 60745-2-16:2010

The Restriction of the Use of Certain Hazardous Substances in  
Electrical and Electronic Equipment Regulations 2012

EN 301 489-1 V2.1.1

EN 301 489-17 V3.1.1

EN 300 328 V2.2.2

Schaan, 06.02.2024



**Klaus Bertsch**  
Head of Quality and Process Management  
Business Area Direct Fastening



**Rafael Garcia**  
Head of BU Direct Fastening  
Business Unit Direct Fastening

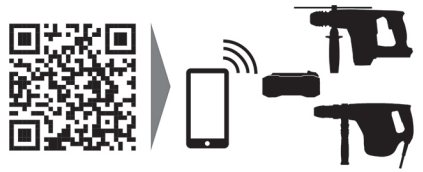








Hilti Corporation  
LI-9494 Schaan  
Tel.:+423 234 21 11  
Fax:+423 234 29 65  
[www.hilti.group](http://www.hilti.group)



2180111