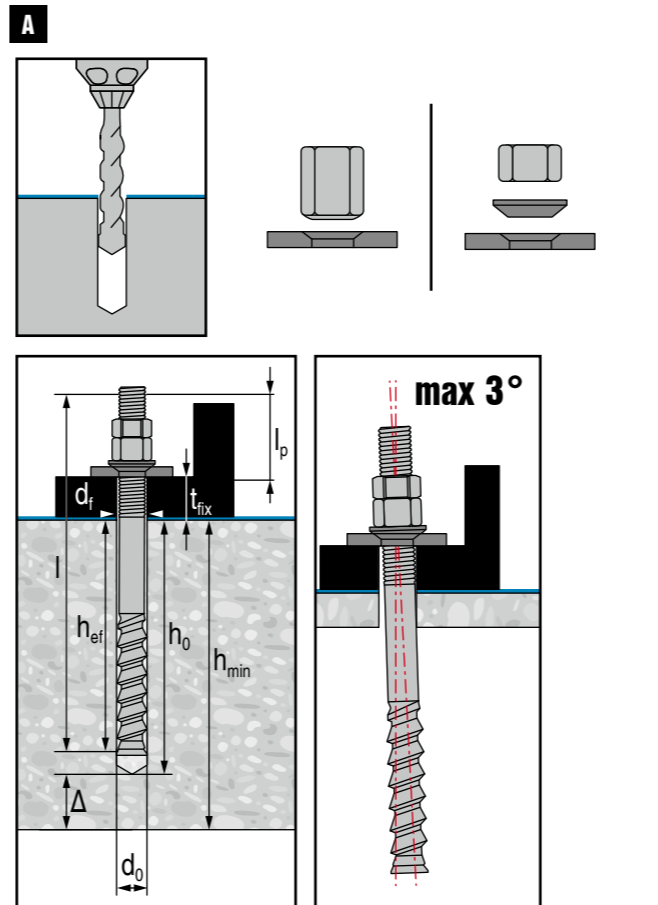
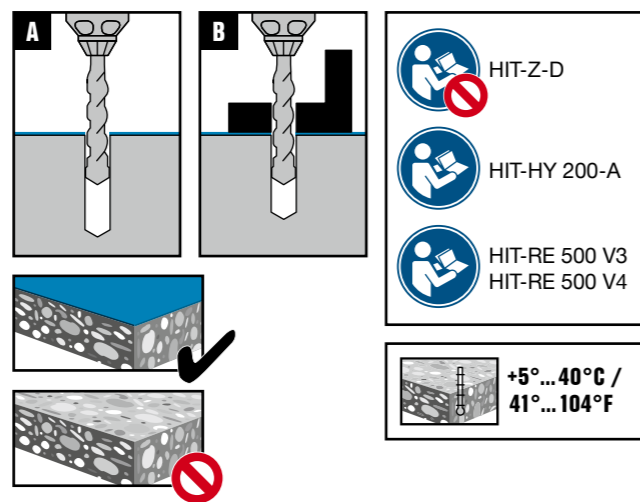
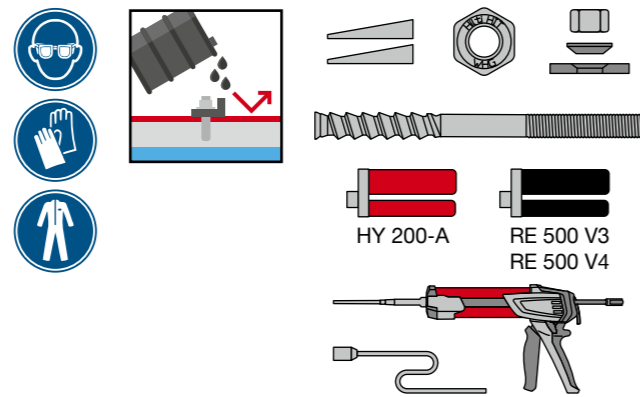
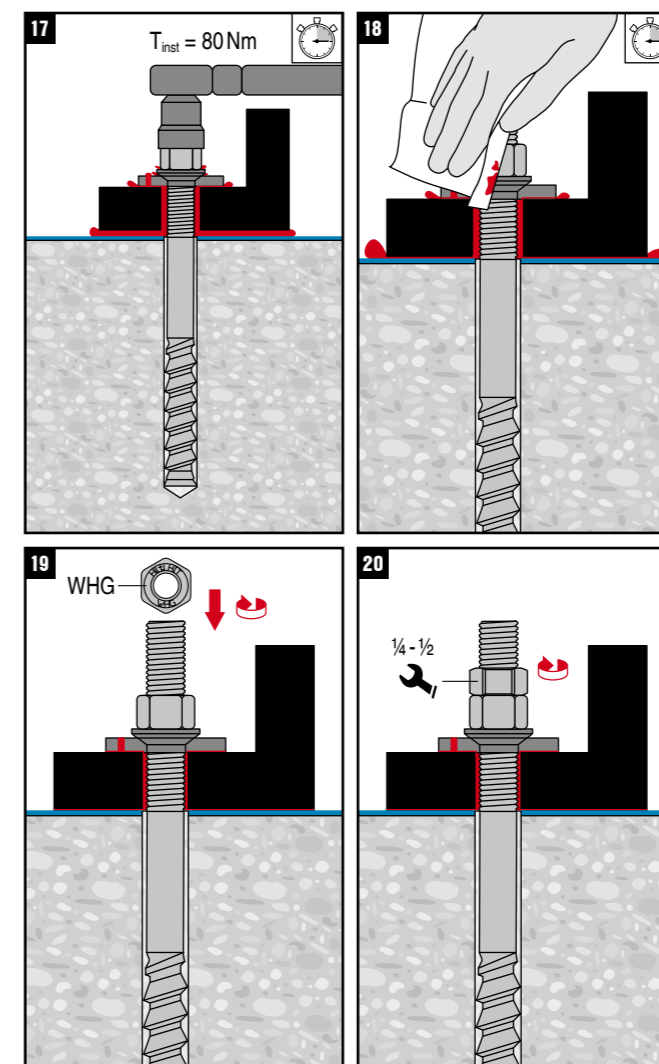
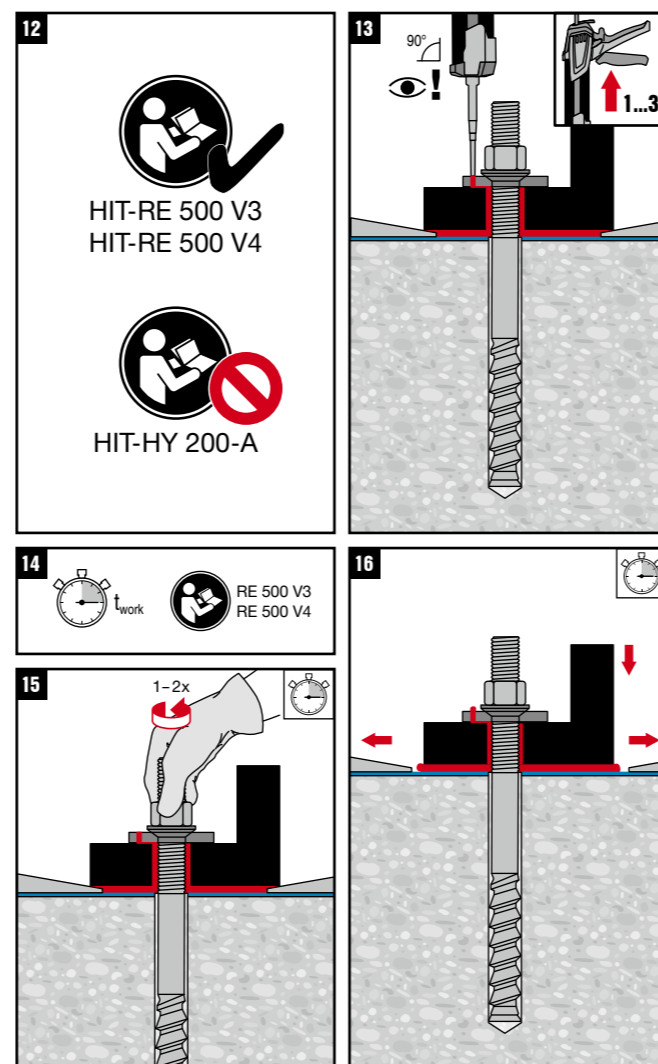
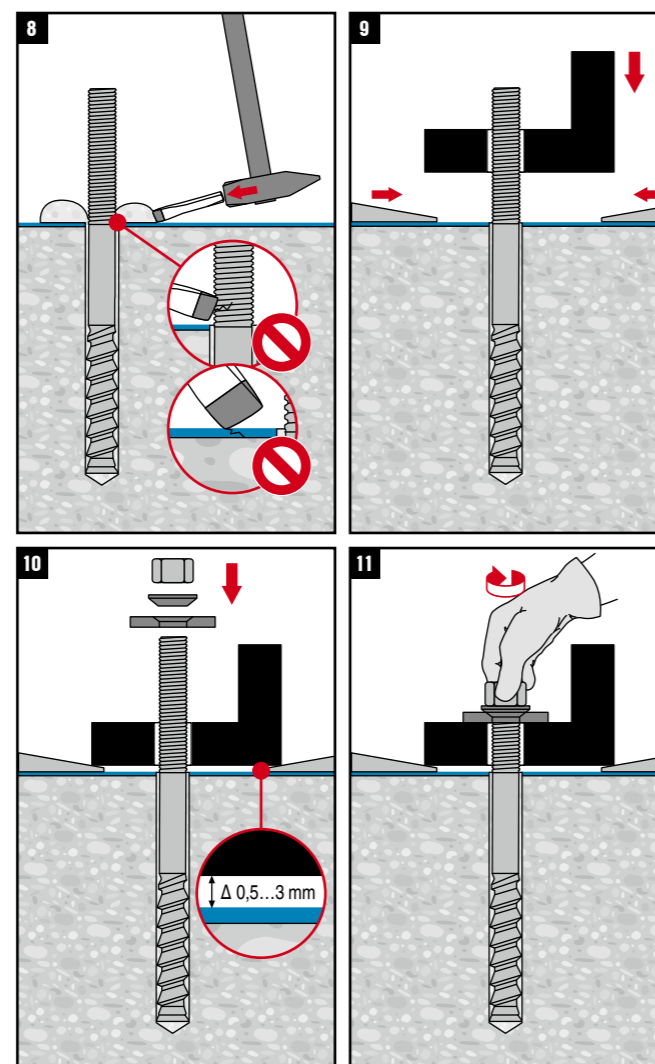
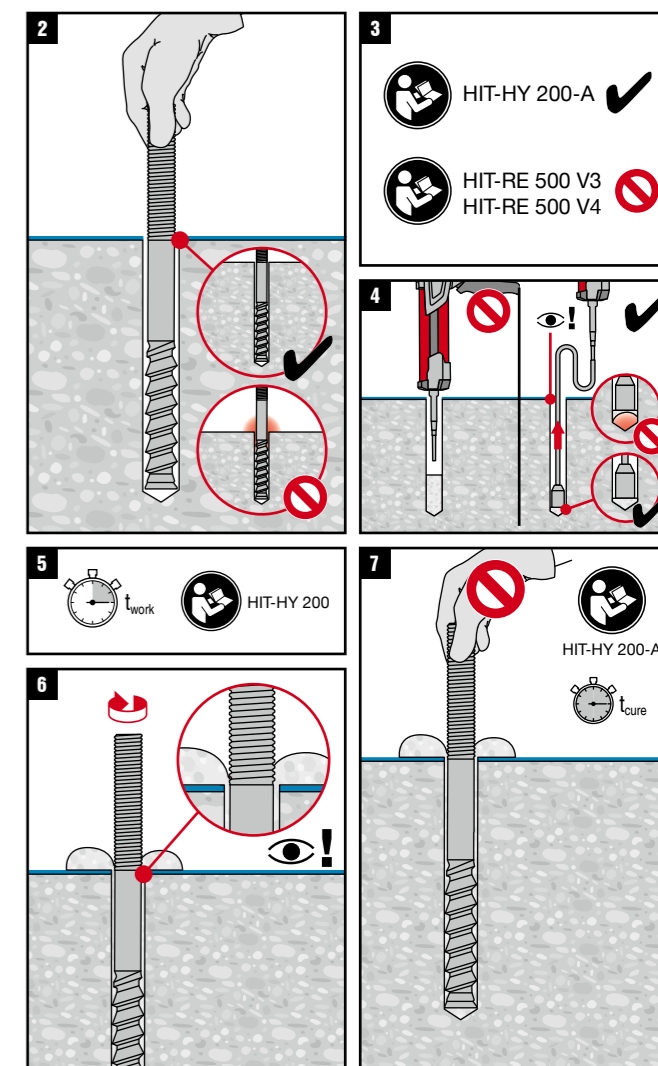
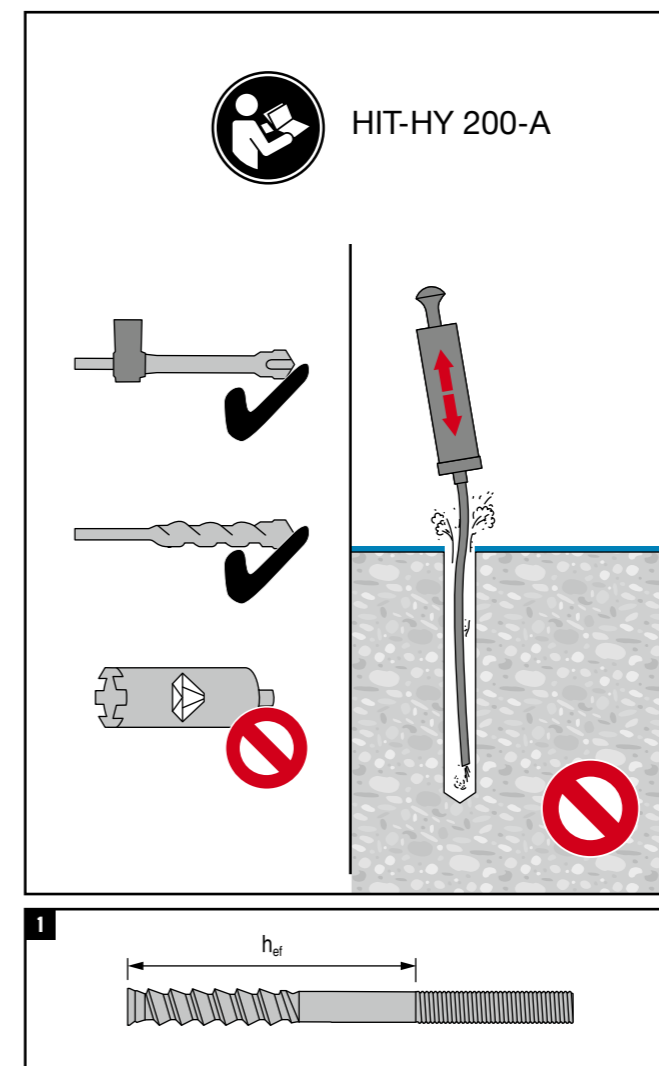
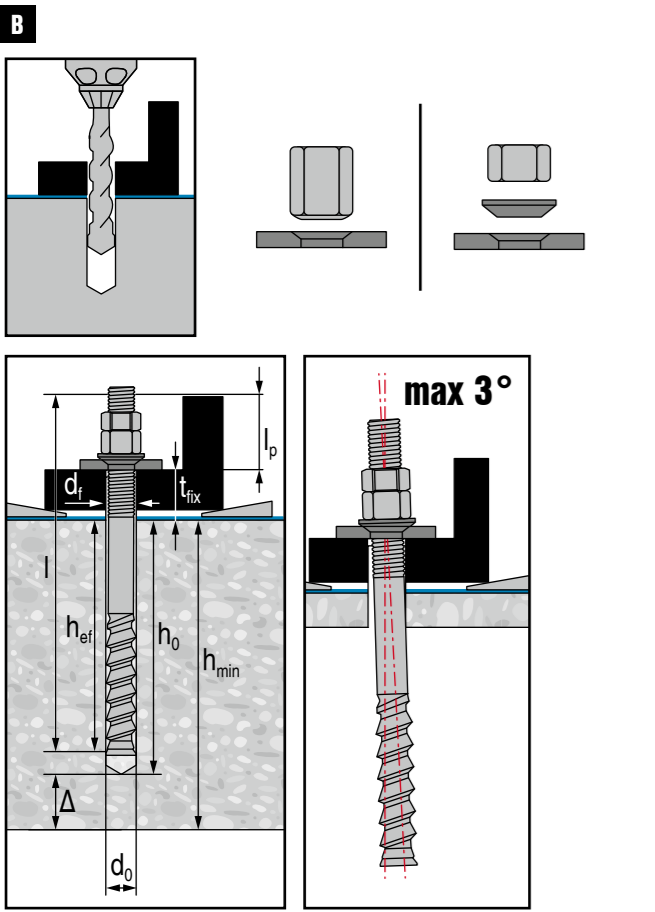


# HIT-Z-D M16 / WHG



d <sub>0</sub> [mm]	d <sub>f</sub> [mm]	h <sub>ef</sub> [mm]	l <sub>p</sub> [mm]	Δ [mm]	h <sub>min</sub> [mm]	t <sub>fix</sub> [mm]	T <sub>inst</sub> [Nm]	SW [mm]
18	20	125	≥ 40	2 x d <sub>0</sub>	160	l - 160 ≥ 10	80	24





$d_0$ [mm]	$d_f$ [mm]	$h_{ef}$ [mm]	$l_p$ [mm]	$\Delta$ [mm]	$h_{min}$ [mm]	$t_{fix}$ [mm]	$T_{inst}$ [Nm]	SW [mm]
18	20	125	$\geq 40$	$2 \times d_0$	160	$l - 160 \geq 10$	80	24

