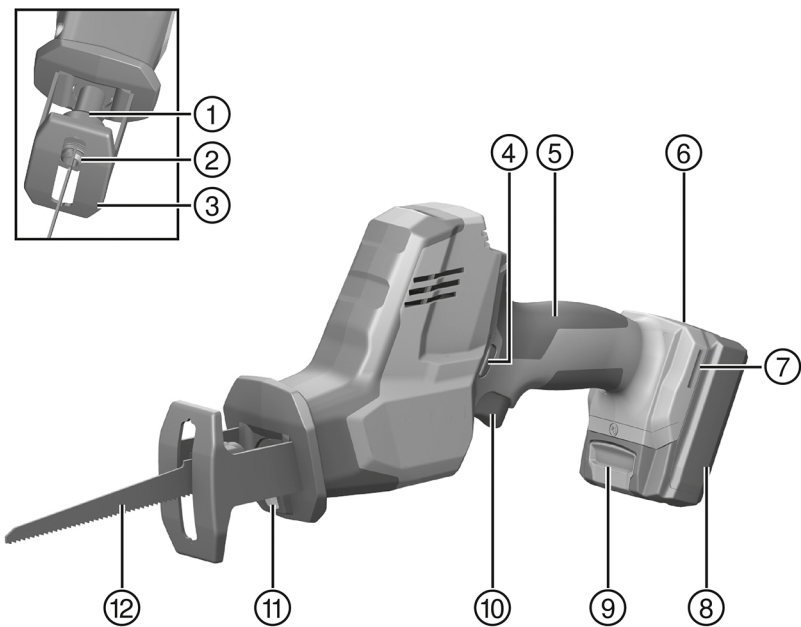
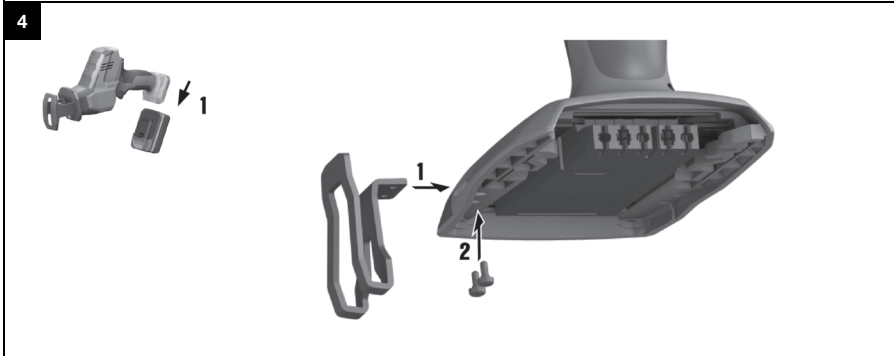
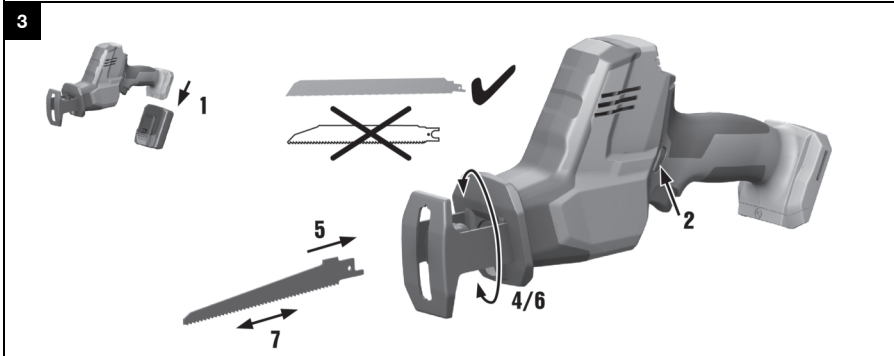
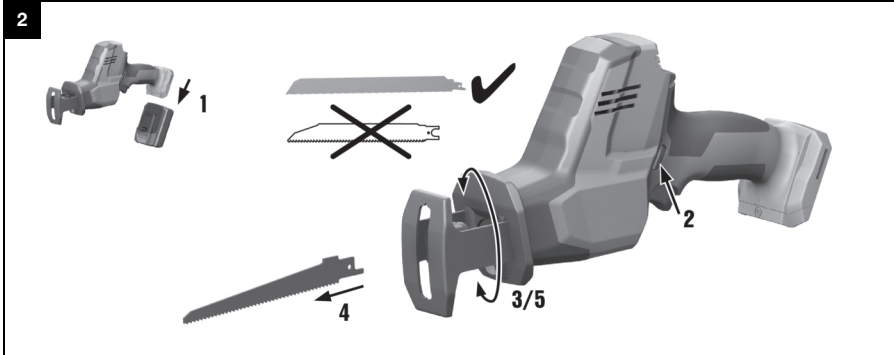




SR 2-A12 (01)

English	1
Français	10
Español	20
Português	30





SR 2-A12

en	Original operating instructions	1
fr	Notice d'utilisation originale	10
es	Manual de instrucciones original	20
pt	Manual de instruções original	30

Original operating instructions

1 Information about the operating instructions

1.1 About these operating instructions

- **Warning!** Read and understand all accompanying documentation, including but not limited to instructions, safety warnings, illustrations, and specifications provided with this product. Familiarize yourself with all the instructions, safety warnings, illustrations, specifications, components, and functions of the product before use. Failure to do so may result in electric shock, fire, and/or serious injury. Save all warnings and instructions for future reference.
- products are designed for professional users and only trained, authorized personnel are permitted to operate, service and maintain the products. This personnel must be specifically informed about the possible hazards. The product and its ancillary equipment can present hazards if used incorrectly by untrained personnel or if used not in accordance with the intended use.
- The accompanying documentation corresponds to the current state of the art at the time of printing. Please always check for the latest version on the product's page on Hilti's website. To do this, follow the link or scan the QR code in this documentation, marked with the symbol .
- Ensure that these operating instructions are with the product when it is given to other persons.

1.2 Explanation of symbols used

1.2.1 Warnings

Warnings alert persons to hazards that occur when handling or using the product. The following signal words are used:

DANGER

DANGER !

- ▶ Draws attention to imminent danger that will lead to serious personal injury or fatality.

WARNING

WARNING !

- ▶ Draws attention to a potential threat of danger that can lead to serious injury or fatality.

CAUTION

CAUTION !

- ▶ Draws attention to a potentially dangerous situation that could lead to personal injury or damage to the equipment or other property.

1.2.2 Symbols in the documentation

The following symbols are used in this document:

	Read the operating instructions before use.
	Instructions for use and other useful information
	Dealing with recyclable materials
	Do not dispose of electric equipment and batteries as household waste

1.2.3 Symbols in the illustrations

The following symbols are used in illustrations:

	These numbers refer to the corresponding illustrations found at the beginning of these operating instructions
	The numbering reflects the sequence of operations shown in the illustrations and may deviate from the steps described in the text



	Item reference numbers are used in the overview illustrations and refer to the numbers used in the product overview section
	This symbol is intended to draw special attention to certain points when handling the product.

1.3 Product-dependent symbols

1.3.1 Symbols on the product

The following symbols can be used on the product:

	Direct current (DC)
n_0	Stroke rate under no load
	The power tool supports near-field communication (NFC) technology, which is compatible with iOS and Android platforms.
Li-Ion	Li-ion battery
	Hilti Li-ion battery type series used. Observe the information given in the section headed Intended use .
	Never use the battery as a striking tool.
	Do not drop the battery. Never use a battery that has suffered an impact or is damaged in any other way.

2 Safety

2.1 General power tool safety warnings

⚠ WARNING Read all safety warnings, instructions, illustrations and specifications provided with this power tool. Failure to follow all instructions listed below may result in electric shock, fire and/or serious injury. **Save all warnings and instructions for future reference.**

The term "power tool" in the warnings refers to your mains-operated (corded) power tool or battery-operated (cordless) power tool.

Work area safety

- ▶ **Keep work area clean and well lit.** Cluttered or dark areas invite accidents.
- ▶ **Do not operate power tools in explosive atmospheres, such as in the presence of flammable liquids, gases or dust.** Power tools create sparks which may ignite the dust or fumes.
- ▶ **Keep children and bystanders away while operating a power tool.** Distractions can cause you to lose control.

Electrical safety

- ▶ **Power tool plugs must match the outlet. Never modify the plug in any way. Do not use any adapter plugs with earthed (grounded) power tools.** Unmodified plugs and matching outlets will reduce risk of electric shock.
- ▶ **Avoid body contact with earthed or grounded surfaces, such as pipes, radiators, ranges and refrigerators.** There is an increased risk of electric shock if your body is earthed or grounded.
- ▶ **Do not expose power tools to rain or wet conditions.** Water entering a power tool will increase the risk of electric shock.
- ▶ **Do not abuse the cord. Never use the cord for carrying, pulling or unplugging the power tool. Keep cord away from heat, oil, sharp edges or moving parts.** Damaged or entangled cords increase the risk of electric shock.
- ▶ **When operating a power tool outdoors, use an extension cord suitable for outdoor use.** Use of a cord suitable for outdoor use reduces the risk of electric shock.
- ▶ **If operating a power tool in a damp location is unavoidable, use a residual current device (RCD) protected supply.** Use of an RCD reduces the risk of electric shock.



Personal safety

- ▶ **Stay alert, watch what you are doing and use common sense when operating a power tool. Do not use a power tool while you are tired or under the influence of drugs, alcohol or medication.** A moment of inattention while operating power tools may result in serious personal injury.
- ▶ **Use personal protective equipment. Always wear eye protection.** Protective equipment such as a dust mask, non-skid safety shoes, hard hat or hearing protection used for appropriate conditions will reduce personal injuries.
- ▶ **Prevent unintentional starting. Ensure the switch is in the off-position before connecting to power source and/or battery pack, picking up or carrying the tool.** Carrying power tools with your finger on the switch or energising power tools that have the switch on invites accidents.
- ▶ **Remove any adjusting key or wrench before turning the power tool on.** A wrench or a key left attached to a rotating part of the power tool may result in personal injury.
- ▶ **Do not overreach. Keep proper footing and balance at all times.** This enables better control of the power tool in unexpected situations.
- ▶ **Dress properly. Do not wear loose clothing or jewellery. Keep your hair and clothing away from moving parts.** Loose clothes, jewellery or long hair can be caught in moving parts.
- ▶ **If devices are provided for the connection of dust extraction and collection facilities, ensure these are connected and properly used.** Use of dust collection can reduce dust-related hazards.
- ▶ **Do not let familiarity gained from frequent use of tools allow you to become complacent and ignore tool safety principles.** A careless action can cause severe injury within a fraction of a second.

Power tool use and care

- ▶ **Do not force the power tool. Use the correct power tool for your application.** The correct power tool will do the job better and safer at the rate for which it was designed.
- ▶ **Do not use the power tool if the switch does not turn it on and off.** Any power tool that cannot be controlled with the switch is dangerous and must be repaired.
- ▶ **Disconnect the plug from the power source and/or remove the battery pack, if detachable, from the power tool before making any adjustments, changing accessories, or storing power tools.** Such preventive safety measures reduce the risk of starting the power tool accidentally.
- ▶ **Store idle power tools out of the reach of children and do not allow persons unfamiliar with the power tool or these instructions to operate the power tool.** Power tools are dangerous in the hands of untrained users.
- ▶ **Maintain power tools and accessories. Check for misalignment or binding of moving parts, breakage of parts and any other condition that may affect the power tool's operation. If damaged, have the power tool repaired before use.** Many accidents are caused by poorly maintained power tools.
- ▶ **Keep cutting tools sharp and clean.** Properly maintained cutting tools with sharp cutting edges are less likely to bind and are easier to control.
- ▶ **Use the power tool, accessories and tool bits etc. in accordance with these instructions, taking into account the working conditions and the work to be performed.** Use of the power tool for operations different from those intended could result in a hazardous situation.
- ▶ **Keep handles and grasping surfaces dry, clean and free from oil and grease.** Slippery handles and grasping surfaces do not allow for safe handling and control of the tool in unexpected situations.

Battery tool use and care

- ▶ **Recharge only with the charger specified by the manufacturer.** A charger that is suitable for one type of battery pack may create a risk of fire when used with another battery pack.
- ▶ **Use power tools only with specifically designated battery packs.** Use of any other battery packs may create a risk of injury and fire.
- ▶ **When battery pack is not in use, keep it away from other metal objects, like paper clips, coins, keys, nails, screws or other small metal objects, that can make a connection from one terminal to another.** Shorting the battery terminals together may cause burns or a fire.
- ▶ **Under abusive conditions, liquid may be ejected from the battery; avoid contact. If contact accidentally occurs, flush with water. If liquid contacts eyes, additionally seek medical help.** Liquid ejected from the battery may cause irritation or burns.
- ▶ **Do not use a battery pack or tool that is damaged or modified.** Damaged or modified batteries may exhibit unpredictable behaviour resulting in fire, explosion or risk of injury.
- ▶ **Do not expose a battery pack or tool to fire or excessive temperature.** Exposure to fire or temperature above 130° C (265 °F) may cause explosion.
- ▶ **Follow all charging instructions and do not charge the battery pack or tool outside the temperature range specified in the instructions.** Charging improperly or at temperatures outside the specified range may damage the battery and increase the risk of fire.



Service

- ▶ **Have your power tool serviced by a qualified repair person using only identical replacement parts.** This will ensure that the safety of the power tool is maintained.
- ▶ **Never service damaged battery packs.** Service of battery packs should only be performed by the manufacturer or authorized service providers.

2.2 Safety instructions for reciprocating saws

- ▶ **Hold the power tool by insulated gripping surfaces, when performing an operation where the cutting accessory may contact hidden wiring.** Cutting accessory contacting a "live" wire may make exposed metal parts of the power tool "live" and could give the operator an electric shock.
- ▶ **Use clamps or another practical way to secure and support the workpiece to a stable platform.** Holding the workpiece by hand or against your body leaves it unstable and may lead to loss of control.

2.3 Additional safety instructions for saws**Personal safety**

- ▶ Keep your hands away from the cutting area and the blade.
- ▶ Do not reach underneath the workpiece.
- ▶ Position yourself off to one side of the blade, never bring the blade into line with your body. The saw can jump backward toward you if kickback occurs.
- ▶ Never use the power tool without a fully functional hand guard.
- ▶ If the saw blade binds or when you interrupt work for any reason, switch off the saw and hold it motionless in the material until the saw blade comes to a complete stop. Never attempt to remove the saw from the workpiece or pull the saw back while the blade is in motion, as otherwise the saw could kick back.
- ▶ When restarting a saw in the workpiece, center the saw blade in the kerf and check that saw teeth are not in engagement with the workpiece.
- ▶ Use extra caution when sawing into walls or other blind areas. As it enters the material the blade might encounter a hidden obstruction, resulting in kickback.
- ▶ Always use a saw blade of appropriate length. The saw blade must project beyond the workpiece throughout the entire stroke.
- ▶ Do not use dull or damaged blades. These cause increased friction and present a high risk of the saw blade binding or kicking back.
- ▶ Secure the workpiece in a sturdy holder. Never hold the workpiece with your hand or across your leg.
- ▶ Apply only moderate pressure and cut at an appropriate speed, especially when cutting large-diameter pipes. This will help to prevent the power tool overheating.
- ▶ Before cutting through pipes, make sure that they are empty of medium. Drain the pipes if necessary.
- ▶ When cutting through pipes, hold the power tool above the level of the pipe you are cutting through.
 - ▶ The power tool is not protected against ingress of moisture. Liquid running out of a pipe can cause a short circuit in the power tool.
- ▶ Never cut into unknown materials and make sure the path of the saw is free of obstructions above and below the workpiece.
 - ▶ The power tool can kick back if the saw blade comes into contact with an obstructing object.
- ▶ Comply with the manufacturer's instructions for handling and storing saw blades.

2.4 Additional safety instructions

- ▶ Use the product only when it is in perfect working order.
- ▶ Never tamper with or modify the power tool in any way.
- ▶ Before beginning work, check the working area for concealed electric cables or gas and water pipes. External metal parts of the power tool can become live, presenting a risk of electric shock, if you accidentally damage an electric cable.
- ▶ Switch the product on only after bringing it to the working position.
- ▶ When working with the power tool, always guide it away from your body.
- ▶ Wear protective gloves also when changing the accessory tool. Touching the accessory tool presents a risk of injury (cuts or burns).
- ▶ Always remove the battery when the power tool is not in use, before maintenance, before changing accessory tools and in preparation for and throughout transport.
- ▶ Engage the transport lock before storing or transporting the power tool.



- ▶ Wear protective gloves also when changing the accessory tool. Touching the accessory tool presents a risk of injury (cuts or burns).
- ▶ The user and persons in the vicinity must wear suitable protective goggles, a hard hat, ear defenders, protective gloves and light respiratory protection while the power tool is in use.
- ▶ Before starting work, check the hazard class of the dust that will be produced when working. Use an industrial vacuum cleaner with an officially approved protection class in compliance with the locally applicable dust protection regulations. Dust from materials such as lead-based paint, certain types of wood and concrete/masonry/stone containing quartz, minerals or metal can be harmful to health.
- ▶ Make sure that the workplace is well ventilated and, if necessary, wear a respirator appropriate for the type of dust generated. Contact with or inhalation of the dust can cause allergic reactions and/or respiratory or other diseases among operators or bystanders. Only specialists are permitted to handle material containing asbestos.
- ▶ When you use the Hilti retaining strap, make sure it is not damaged or frayed.
- ▶ Take breaks between working and do relaxation and finger exercises to improve the blood circulation in your fingers.
- ▶ Do not look directly into the light source (LEDs) of the power tool and do not aim the beam at other persons' faces. Risk of dazzling or eye damage.
- ▶ Flying fragments can injure the body and eyes. Wear your personal protective equipment and always wear protective glasses and protective gloves.
- ▶ If work involves break-through, always secure the area on the side opposite where the work is carried out.

Electrical safety

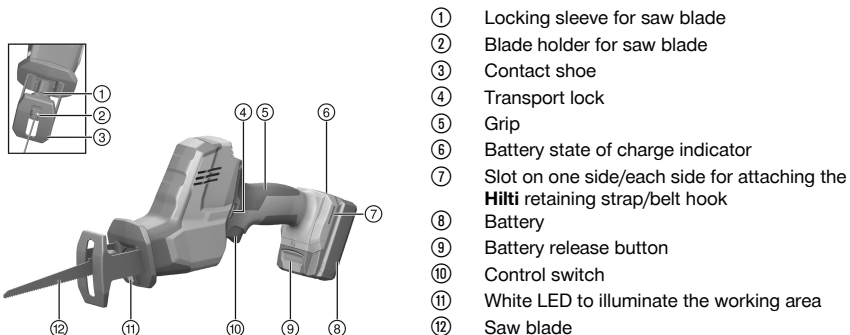
- ▶ Hold the power tool by the insulated gripping surfaces when performing work in which the accessory tool might come into contact with concealed wiring. If the accessory tool comes into contact with a live wire, metal parts of the power tool can also become live, resulting in an electric shock.

2.5 Careful handling and use of batteries

- ▶ Observe the special guidelines applicable to the transport, storage and use of lithium-ion batteries.
- ▶ Do not expose batteries to high temperatures, direct sunlight or fire.
- ▶ Do not disassemble, crush or incinerate batteries and do not subject them to temperatures over 80 °C (176 °F).
- ▶ Do not use or charge batteries that have suffered mechanical impact, have been dropped from a height or show signs of damage. In this case, always contact your **Hilti Service**.
- ▶ If the battery is too hot to touch it may be defective. Put the battery in a place where it is clearly visible and where there is no risk of fire, at an adequate distance from flammable materials. Allow the battery to cool down. If it is still too hot to touch after an hour, the battery is faulty. Contact **Hilti Service**.

3 Description

3.1 Product overview



- ① Locking sleeve for saw blade
- ② Blade holder for saw blade
- ③ Contact shoe
- ④ Transport lock
- ⑤ Grip
- ⑥ Battery state of charge indicator
- ⑦ Slot on one side/each side for attaching the **Hilti** retaining strap/belt hook
- ⑧ Battery
- ⑨ Battery release button
- ⑩ Control switch
- ⑪ White LED to illuminate the working area
- ⑫ Saw blade



3.2 Intended use

The product described is a cordless reciprocating saw. It is designed for cutting wood, wood-like materials, metals and plastics.

The product is designed for one-handed operation.

- ▶ Use only **Hilti** Li-Ion batteries of the B 12 series with this product.
- ▶ Use only **Hilti** battery chargers of the C4/12 series for charging these batteries.

3.3 Possible misuse

- ▶ Do not use the power tool to cut bricks, concrete, cellular concrete, natural stone or tiles.
- ▶ Do not use the product to cut pipes containing liquids.
- ▶ Do not saw into unknown materials.

3.4 Items supplied

Reciprocating saw, operating instructions.



Other system products approved for use with this product can be found at your local **Hilti Store** or at: www.hilti.group

4 Technical data

4.1 Technical data

	SR 2-A12
Product generation	01
Rated voltage	10.8 V
Weight	1.8 kg (4.0 lb)
Stroke rate	0 /min ... 3,000 /min
Stroke length	16 mm (0.6 in)
Keyless chuck for standard accessory tools	1/2 in

4.2 Battery

Battery operating voltage	10.8 V
Ambient temperature for operation	-17 °C ... 60 °C (1 °F ... 140 °F)
Storage temperature	-20 °C ... 40 °C (-4 °F ... 104 °F)
Battery charging starting temperature	-10 °C ... 45 °C (14 °F ... 113 °F)

5 Preparations at the workplace

WARNING

Risk of injury by inadvertent starting!

- ▶ Before inserting the battery, make sure that the product is switched off.
- ▶ Remove the battery before making any adjustments to the power tool or before changing accessories.

Observe the safety instructions and warnings in this documentation and on the product.

5.1 Charging the battery

1. Before charging the battery, read the operating instructions for the charger.



2. Make sure that the contacts on the battery and the contacts on the charger are clean and dry.
3. Use an approved charger to charge the battery.

5.2 Removing the saw blade 2

1. Remove the battery. 8
2. Engage the transport lock.
3. Turn the chuck locking sleeve counterclockwise and hold it in this position.
4. Pull the blade forward out of the chuck.
5. Release the locking sleeve and allow it to move back to its original position.

5.3 Inserting the saw blade 3



Use only saw blades with a 1/2" connection end.

1. Remove the battery. 8
2. Engage the transport lock.
3. Check that the connection end of the accessory tool is clean and lightly greased. Clean it and grease it if necessary.
4. Turn the chuck locking sleeve counterclockwise and hold it in this position.
5. Push the saw blade into the chuck from in front.
6. Release the locking sleeve and allow it to move back to its original position.
7. Grip and pull the saw blade to check that it is locked in position.

5.4 Fitting the belt hook (optional) 4



WARNING

Risk of injury. A falling power tool may present a risk of injury to yourself and others.

- ▶ Check that the belt hook is fitted securely before beginning work.



The belt hook allows the power tool to be attached to a belt worn by the operator. The belt hook can be fitted to allow attachment on the left or right side of the body.

1. Remove the battery.
2. Insert the belt hook into the opening provided at the base of the product.
3. Use the 2 screws to attach the belt hook and make sure that the screws are driven fully (countersunk head flush).

5.5 Inserting the battery



WARNING

Risk of injury by short circuit or falling battery!

- ▶ Before inserting the battery, make sure that the contacts on the battery and the contacts on the product are free of foreign matter.
 - ▶ Make sure that the battery always engages correctly.
1. Charge the battery fully before using it for the first time.
 2. Push the battery into the battery holder until it engages with an audible click.
 3. Check that the battery is seated securely.

5.6 Sawing



WARNING

Risk of injury due to saw run-on !

- ▶ Do not lift the product away from the workpiece until it has stopped completely.
- ▶ Wait until the product stops completely before you lay it down.



1. Disengage the transport lock and press the control switch.
2. Release the control switch when you finish the cut.
3. Engage the transport lock.

5.7 Removing the battery

1. Press and hold down the release button.
2. Pull the battery forward and out of the product.

6 Care and maintenance

WARNING

Risk of injury with battery inserted !

- ▶ Always remove the battery before carrying out care and maintenance tasks!
-

Care of the product

- Carefully remove stubborn dirt.
- Carefully clean the air vents, if present, with a dry, soft brush.
- Use only a slightly damp cloth to clean the housing. Do not use cleaning agents containing silicone as these can attack the plastic parts.
- Use a dry, clean cloth to clean the contacts of the product.

Care of the Li-ion batteries

- Never use a battery with clogged air vents. Clean the air vents carefully using a dry, soft brush.
- Avoid unnecessary exposure of the battery to dust and dirt. Never expose the battery to high levels of moisture (e.g. by being dipped in water or left in the rain).
If a battery has been soaked by moisture, treat it as a damaged battery. Isolate it in a non-flammable container and consult **Hilti Service**.
- Keep the battery free of extraneous oil and grease. Do not permit dust or dirt to accumulate unnecessarily on the battery. Clean the battery with a dry, soft brush or a clean, dry cloth. Do not use cleaning agents containing silicone as these can attack the plastic parts.
Do not touch the contacts of the battery and do not remove the factory-applied grease from the contacts.
- Use only a slightly damp cloth to clean the housing. Do not use cleaning agents containing silicone as these can attack the plastic parts.

Maintenance

- Check all visible parts and controls for signs of damage at regular intervals and make sure that they all function correctly.
 - Do not use the product if signs of damage are found or if parts malfunction. Immediately have the product repaired by **Hilti Service**.
 - After cleaning and maintenance, install all guards and protective devices and check that they are in full working order.
-



To help ensure safe and reliable operation, use only genuine Hilti spare parts and consumables. Spare parts, consumables and accessories approved by **Hilti** for use with your product can be found at your **Hilti Store** or online at: www.hilti.group

7 Transport and storage

Transport of cordless power tools and batteries

CAUTION

Accidental starting during transport !

- ▶ Always transport your products with the batteries removed!
-
- ▶ Remove the battery/batteries.
 - ▶ Never transport batteries loose and unprotected. During transport, batteries should be protected from excessive shock and vibration and isolated from any conductive materials or other batteries that may come in contact with the terminals and cause a short circuit. **Comply with the locally applicable regulations for transporting batteries.**



- ▶ Do not send batteries through the mail. Consult your shipper for instructions on how to ship undamaged batteries.
- ▶ Prior to each use and before and after prolonged transport, check the product and the batteries for damage.

Storage of cordless power tools and batteries

WARNING

Accidental damage caused by defective or leaking batteries !

- ▶ Always store your products with the batteries removed!
-
- ▶ Store the product and the batteries in a cool and dry place. Comply with the temperature limits stated in the technical data 6.
 - ▶ Do not store batteries on the charger. Always remove the battery from the charger when the charging operation has completed.
 - ▶ Never leave batteries in direct sunlight, on sources of heat, or behind glass.
 - ▶ Store the product and batteries where they cannot be accessed by children or unauthorized persons.
 - ▶ Prior to each use and before and after prolonged storage, check the product and the batteries for damage.

8 Troubleshooting

If the trouble you are experiencing is not listed in this table or you are unable to remedy the problem by yourself, please contact **Hilti** Service.

8.1 The reciprocating saw is not in working order

Trouble or fault	Possible cause	Action to be taken
Power tool does not start.	The battery is not correctly inserted.	▶ Push the battery in until it engages with a click.
	The battery is empty.	▶ Charge the battery.
	The transport lock is engaged.	▶ Disengage the transport lock.
The saw blade cannot be removed from the chuck.	The locking sleeve is not turned as far as it will go.	▶ Turn the locking sleeve as far as it will go and remove the saw blade.

8.2 The reciprocating saw is in working order

Trouble or fault	Possible cause	Action to be taken
The power tool does not develop full power.	The control switch is not fully pressed	▶ Press the control switch fully.
	Battery is discharged	▶ Change the battery and charge the empty battery.
The saw blade cannot be removed from the chuck.	The locking sleeve is not turned as far as it will go.	▶ Turn the locking sleeve as far as it will go and remove the saw blade.


9 Disposal

WARNING

Risk of injury due to incorrect disposal! Health hazards due to escaping gases or liquids.

- ▶ DO NOT send batteries through the mail!
- ▶ Cover the terminals with a non-conductive material (such as electrical tape) to prevent short circuiting.
- ▶ Dispose of your battery out of the reach of children.
- ▶ Dispose of the battery at your **Hilti Store**, or consult your local governmental garbage disposal or public health and safety resources for disposal instructions.



 Most of the materials from which **Hilti** products are manufactured can be recycled. The materials must be correctly separated before they can be recycled. In many countries, your old tools, machines or appliances can be returned to **Hilti** for recycling. Ask **Hilti** Service or your Hilti sales representative for further information.



- ▶ Do not dispose of power tools, electronic equipment or batteries as household waste!


10 Manufacturer's warranty

- ▶ Please contact your local **Hilti** representative if you have questions about the warranty conditions.

Notice d'utilisation originale

1 Indications relatives au mode d'emploi

1.1 À propos de ce mode d'emploi

- **Avertissement !** Il convient de lire et comprendre toute la documentation jointe, y compris, sans s'y limiter, les instructions, avertissements de sécurité, illustration et spécifications fournies avec le présent produit. Prenez connaissance de toutes les instructions, avertissements de sécurité, illustrations, spécifications et fonctions du produit avant de l'utiliser. Tout manquement à cette obligation peut entraîner un choc électrique, un incendie, et/ou des blessures graves. Conservez l'ensemble des avertissements et instructions pour consultation ultérieure.
- Les produits **HILTI** sont destinés aux professionnels et ne doivent être utilisés, entretenus et réparés que par un personnel autorisé et formé. Ce personnel doit être spécialement instruit quant aux dangers inhérents à l'utilisation de l'appareil. Le produit et ses accessoires peuvent s'avérer dangereux s'ils sont utilisés de manière incorrecte par un personnel non qualifié ou de manière non conforme à l'usage prévu.
- La documentation ci-jointe correspond à l'état actuel de la technique à la date d'impression. Veuillez toujours consulter la dernière version sur la page du produit sur le site Internet de Hilti. Pour ce faire, suivez le lien ou scannez le code QR dans la documentation, indiqué par le symbole .
- Ne pas prêter ou céder le produit à un autre utilisateur sans lui fournir le présent mode d'emploi.

1.2 Explication des symboles

1.2.1 Avertissements

Les avertissements attirent l'attention sur des dangers liés à l'utilisation du produit. Les termes de signalisation suivants sont utilisés :



DANGER

DANGER !

- ▶ Pour un danger imminent qui peut entraîner de graves blessures corporelles ou la mort.



AVERTISSEMENT

AVERTISSEMENT !

- ▶ Pour un danger potentiel qui peut entraîner de graves blessures corporelles ou la mort.



ATTENTION

ATTENTION !

- ▶ Pour une situation potentiellement dangereuse pouvant entraîner des blessures corporelles ou des dégâts matériels.

1.2.2 Symboles dans la documentation

Les symboles suivants sont utilisés dans la présente documentation :



Lire le mode d'emploi avant d'utiliser l'appareil



	Pour des conseils d'utilisation et autres informations utiles
	Maniement des matériaux recyclables
	Ne pas jeter les appareils électriques et les accus dans les ordures ménagères

1.2.3 Symboles dans les illustrations

Les symboles suivants sont utilisés dans les illustrations :

	Ces chiffres renvoient à l'illustration correspondante au début du présent mode d'emploi
	La numérotation détermine la séquence des étapes de travail dans l'image et peut se différencier de celles des étapes de travail dans le texte
	Les numéros de position sont utilisés dans l'illustration Vue d'ensemble et renvoient aux numéros des légendes dans la section Vue d'ensemble du produit
	Ce signe doit inviter à manier le produit en faisant particulièrement attention.

1.3 Symboles spécifiques au produit

1.3.1 Symboles sur le produit

Les symboles suivants peuvent être utilisés sur le produit :

	Courant continu
n_0	Cadence de coupe nominale
	L'appareil prend en charge la technologie NFC qui est compatible avec les plates-formes iOS et Android.
Li-Ion	Accu lithium-ions
	Série de type d'accu Li-Ion Hilti utilisée. Observer les instructions au chapitre Utilisation conforme à l'usage prévu .
	Ne jamais utiliser l'accu comme outil de percussion.
	Ne pas laisser tomber l'accu. Ne pas utiliser d'accu ayant subi un choc ou d'autres dommages.

2 Sécurité

2.1 Indications générales de sécurité pour les appareils électriques

⚠ AVERTISSEMENT Lire toutes les consignes de sécurité et instructions, illustrations et caractéristiques techniques, qui accompagnent cet outil électroportatif. Tout manquement à l'observation des instructions suivantes risque de provoquer une électrocution, un incendie et/ou de graves blessures.

Les consignes de sécurité et instructions doivent être intégralement conservées pour les utilisations futures.

La notion d'« outil électroportatif » mentionnée dans les consignes de sécurité se rapporte à des outils électriques raccordés au secteur (avec câble d'alimentation) et à des outils électriques sur accu (sans câble d'alimentation).

Sécurité sur le lieu de travail

- ▶ **Conserver la zone de travail propre et bien éclairée.** Un lieu de travail en désordre ou mal éclairé augmente le risque d'accidents.
- ▶ **Ne pas faire fonctionner les outils électriques en atmosphère explosive et où se trouvent des liquides, des gaz ou poussières inflammables.** Les outils électriques produisent des étincelles qui peuvent enflammer les poussières ou les fumées.
- ▶ **Maintenir les enfants et les personnes présentes à l'écart pendant l'utilisation de l'outil électroportatif.** En cas d'inattention il y a risque de perdre le contrôle de l'appareil.



Sécurité relative au système électrique

- ▶ **La fiche de secteur de l'outil électroportatif doit être adaptée à la prise de courant. Ne jamais modifier la fiche de quelque façon que ce soit. Ne pas utiliser d'adaptateurs avec des outils électriques à branchement de terre.** Des fiches non modifiées et des prises de courant adaptées réduiront le risque de choc électrique.
- ▶ **Éviter le contact physique avec des surfaces mises à la terre tels que tuyaux, radiateurs, cuisinières et réfrigérateurs.** Il y a un risque élevé de choc électrique au cas où votre corps serait relié à la terre.
- ▶ **Ne pas exposer les outils électroportatifs à la pluie ou à l'humidité.** La pénétration d'eau à l'intérieur d'un outil électroportatif augmentera le risque d'un choc électrique.
- ▶ **Ne jamais utiliser le câble de raccordement à d'autres fins que celles prévues, telles que pour porter, accrocher ou débrancher l'outil électroportatif de la prise de courant. Maintenir le câble de raccordement à l'écart de la chaleur, des parties grasses, des bords tranchants ou des parties en mouvement.** Des câbles de raccordement endommagés ou emmêlés augmentent le risque de choc électrique.
- ▶ **Si l'outil électroportatif est utilisé à l'extérieur, utiliser uniquement des câbles de rallonge homologués pour les applications extérieures.** L'utilisation d'un câble de rallonge homologué pour les applications extérieures réduit le risque d'un choc électrique.
- ▶ **Si l'utilisation de l'outil électrique dans un environnement humide ne peut pas être évitée, utiliser un interrupteur de protection contre les courants de court-circuit.** L'utilisation d'un tel interrupteur de protection réduit le risque d'une décharge électrique.

Sécurité des personnes

- ▶ **Rester vigilant, surveiller ce que l'on fait. Faire preuve de bon sens en utilisant l'outil électroportatif. Ne pas utiliser l'outil électroportatif en étant fatigué ou sous l'emprise de l'alcool, de drogues ou de médicaments.** Un moment d'inattention lors de l'utilisation de l'outil électroportatif peut entraîner des blessures graves.
- ▶ **Utiliser un équipement de protection personnel et toujours porter une protection pour les yeux.** Les équipements de protection personnels tels que masque antipoussière, chaussures de sécurité antidérapantes, casque de protection ou protection acoustique suivant l'utilisation de l'outil électroportatif, réduiront le risque de blessures des personnes.
- ▶ **Éviter une mise en service par mégarde. S'assurer que l'outil électroportatif est arrêté avant de brancher à la source de courant et/ou à l'accu, de le prendre ou de le porter.** Le fait de porter l'outil électroportatif avec le doigt sur l'interrupteur ou de brancher l'appareil sur la source de courant lorsque l'interrupteur est en position de fonctionnement peut entraîner des accidents.
- ▶ **Retirer tout outil de réglage ou toute clé avant de mettre l'outil électroportatif en fonctionnement.** Une clé ou un outil se trouvant sur une partie en rotation peut causer des blessures.
- ▶ **Adopter une bonne posture. Veiller à toujours garder une position stable et équilibrée.** Cela permet un meilleur contrôle de l'outil électroportatif dans des situations inattendues.
- ▶ **S'habiller de manière adaptée. Ne pas porter de vêtements amples ni de bijoux. Garder les cheveux, les vêtements et les gants à distance des parties en mouvement.** Des vêtements amples, des bijoux ou des cheveux longs peuvent être happés par des parties en mouvement.
- ▶ **Si des dispositifs servant à aspirer ou à recueillir les poussières doivent être utilisés, s'assurer qu'ils sont effectivement raccordés et correctement utilisés.** L'utilisation d'un dispositif d'aspiration de la poussière peut réduire les risques dus aux poussières.
- ▶ **Ne pas sous-estimer les mesures de sécurité à prendre et ne pas ignorer sciemment les règles de sécurité applicables aux outils électriques, même si l'on est utilisateur chevronné après de fréquentes utilisations de l'outil électroportatif.** Un manque d'attention peut conduire à de graves blessures en quelques fractions de seconde.

Utilisation et maniement de l'outil électroportatif

- ▶ **Ne pas forcer l'appareil. Utiliser l'outil électroportatif adapté au travail à effectuer.** Un outil électroportatif approprié réalisera mieux le travail et de manière plus sûre au régime pour lequel il a été conçu.
- ▶ **Ne pas utiliser d'outil électroportatif dont l'interrupteur est défectueux.** Tout outil électroportatif qui ne peut plus être mis en ou hors fonctionnement est dangereux et doit être réparé.
- ▶ **Débrancher la fiche de la prise de courant et/ou l'accu amovible avant d'effectuer des réglages sur l'appareil, de changer les accessoires, ou de ranger l'appareil.** Cette mesure de précaution empêche une mise en fonctionnement par mégarde de l'outil électroportatif.
- ▶ **Conserver les outils électroportatifs non utilisés hors de portée des enfants. Ne permettre l'utilisation de l'appareil à aucune personne qui ne soit pas familiarisée avec celui-ci ou qui n'a pas lu ces instructions.** Les outils électroportatifs sont dangereux lorsqu'ils sont entre les mains de personnes non initiées.



- ▶ **Prendre soin des outils électroportatifs et des accessoires.** Vérifier que les parties en mouvement fonctionnent correctement et qu'elles ne sont pas coincées, et contrôler si des parties sont cassées ou endommagées de sorte que le bon fonctionnement de l'outil électroportatif s'en trouve entravé. Faire réparer les parties endommagées avant d'utiliser l'appareil. De nombreux accidents sont dus à des outils électroportatifs mal entretenus.
- ▶ **Garder les outils de coupe affûtés et propres.** Des outils destinés à couper correctement entretenus avec des arêtes de coupe tranchantes sont moins susceptibles de bloquer et sont plus faciles à contrôler.
- ▶ **L'outil électroportatif, les accessoires, les outils amovibles, etc. doivent être utilisés conformément à ces instructions.** Tenir également compte des conditions de travail et du travail à réaliser. L'utilisation des outils électroportatifs à d'autres fins que celles prévues peut entraîner des situations dangereuses.
- ▶ **Veiller à ce que les poignées et surfaces de préhension soient toujours être sèches, propres et exemptes de traces de graisse ou d'huile.** Avec des poignées et surfaces de préhension glissantes, la sécurité et le contrôle de l'outil électroportatif ne peuvent être assurés dans des situations inopinées.

Utilisation et manieement de l'outil sur accu

- ▶ **Ne charger les accus que dans des chargeurs recommandés par le fabricant.** Si un chargeur approprié à un type spécifique d'accu est utilisé avec des accus non recommandés pour celui-ci, il y a risque d'incendie.
- ▶ **Dans les outils électroportatifs, utiliser uniquement les accus spécialement prévus pour ceux-ci.** L'utilisation de tout autre accu peut entraîner des blessures et des risques d'incendie.
- ▶ **Tenir l'accu non utilisé à l'écart de tous objets métalliques tels qu'agrafes, pièces de monnaie, clés, clous, vis ou autres, étant donné qu'un pontage peut provoquer un court-circuit.** Un court-circuit entre les contacts d'accu peut provoquer des brûlures ou un incendie.
- ▶ **En cas d'utilisation abusive, du liquide peut sortir de l'accu. Éviter tout contact avec ce liquide. En cas de contact par mégarde, rincer soigneusement avec de l'eau. Au cas où le liquide rentrerait dans les yeux, consulter en plus un médecin.** Le liquide qui sort de l'accu peut entraîner des irritations de la peau ou causer des brûlures.
- ▶ **Ne pas utiliser d'accu endommagé ou modifié.** Des accus endommagés ou modifiés peuvent avoir un comportement imprévisible et provoquer un incendie, une explosion ou engendrer un risque de blessures.
- ▶ **Ne jamais exposer l'accu au feu ou à des températures trop élevées.** Le feu ou des températures supérieures à 130 °C (265 °F) peuvent provoquer une explosion.
- ▶ **Suivre toutes les instructions de charge et ne jamais charger l'accu ou l'outil sur accu hors de la plage de températures spécifiée dans le manuel d'utilisation.** Une charge inappropriée ou hors de la plage de températures spécifiée risque d'endommager l'accu et accroître le risque d'incendie.

Service

- ▶ **L'outil électroportatif doit uniquement être réparé par un personnel qualifié et seulement avec des pièces de rechange d'origine.** Ceci permet d'assurer la sécurité de l'appareil.
- ▶ **Ne jamais entretenir d'accus endommagés.** Toutes les opérations d'entretien sur des accus doivent exclusivement être réalisées par le fabricant ou un prestataire de service client agréé.

2.2 Consignes de sécurité pour le sciage avec une lame de scie effectuant un mouvement de va-et-vient

- ▶ **Tenir l'outil électroportatif par les surfaces isolées des poignées lors des travaux pendant lesquels l'outil amovible utilisé risque de toucher des câbles électriques cachés.** Le contact avec un câble sous tension risque aussi de mettre les parties métalliques de l'appareil sous tension et de provoquer une décharge électrique.
- ▶ **Fixer et sécuriser l'outil à l'aide d'un serre-joint ou de tout autre manière sur un support stable.** Si l'outil est tenu seulement avec la main ou contre le corps, il reste instable ce qui peut entraîner la perte de contrôle.

2.3 Consignes de sécurité supplémentaires spécifiques aux scies

Sécurité des personnes

- ▶ Bien garder les mains à distance de la zone de sciage et de la lame de scie.
- ▶ Ne pas passer les mains sous la pièce travaillée.
- ▶ Toujours se tenir latéralement à la lame de scie, le corps de l'utilisateur ne doit jamais être dans l'alignement de la lame de scie. En cas de contrecoup, la scie risque d'être propulsée vers l'arrière !
- ▶ Ne jamais installer l'appareil sans protège-main opérationnel.



- ▶ Si la lame de scie se coince ou que le travail est interrompu, arrêter la scie et la tenir dans le matériau sans bouger jusqu'à ce que la lame de scie s'immobilise. Ne jamais essayer de sortir la scie de la pièce travaillée ou de la tirer vers l'arrière tant que la lame de scie bouge, sans quoi un contrecoup risque de se produire.
- ▶ Si une scie qui s'est bloquée dans une pièce doit être remise en marche, centrer la lame de scie dans la fente et contrôler que les dents de la scie ne soient pas restées accrochées dans la pièce.
- ▶ Travailler avec d'autant plus de prudence pour découper des parois existantes ou d'autres zones sans visibilité. La lame plongeante risque de se coincer dans des objets cachés et de provoquer un contrecoup.
- ▶ Toujours utiliser une lame de scie de longueur appropriée. La lame de scie doit dépasser de la pièce à découper pendant toute l'opération de sciage.
- ▶ Ne pas utiliser de lames de scie émoussées ou endommagées. Celles-ci entraîneraient une friction élevée, un coincement de la lame de scie et un contrecoup.
- ▶ Fixer la pièce sur un support stable. Ne jamais tenir la pièce à scier avec la main ou sur la jambe.
- ▶ Travailler avec une pression d'appui modérée et une vitesse de coupe appropriée, notamment dans le cas de tuyaux de grand diamètre. Ceci permet d'éviter une surchauffe de l'appareil.
- ▶ En cas de séparation de conduites, d'abord s'assurer que celles-ci ne contiennent plus aucun liquide. Les vider si nécessaire.
- ▶ En cas de séparation de conduites, tenir l'appareil plus haut que la conduite à séparer.
 - ▶ L'appareil ne dispose d'aucune protection contre la pénétration d'humidité. Le liquide s'écoulant peut provoquer un court-circuit dans l'appareil.
- ▶ Ne pas scier dans des sous-sols de nature inconnue et libérer la surface de coupe de tout obstacle en haut et en bas.
 - ▶ Si elle percute un objet, la lame de scie peut provoquer un mouvement de recul sur l'appareil.
- ▶ Respecter les instructions du fabricant relatives au maniement et au stockage des lames de scie.

2.4 Consignes de sécurité supplémentaires

- ▶ Utiliser le produit uniquement s'il est en parfait état.
- ▶ Ne jamais entreprendre de manipulation ni de modification sur l'appareil.
- ▶ Avant d'entamer le travail, vérifier qu'il n'y a pas de câbles ou gaines électriques, tuyaux de gaz ou d'eau cachés dans la zone d'intervention. Toutes pièces métalliques extérieures de l'appareil sont susceptibles de provoquer une décharge électrique si un câble électrique est endommagé par inadvertance.
- ▶ Seulement mettre le produit en marche lorsqu'il est dans la position de travail.
- ▶ Lors de la coupe, toujours effectuer des mouvements s'éloignant de soi.
- ▶ Porter aussi des gants de protection pour changer d'outil. Risque de blessures par coupure et de brûlures au contact avec l'outil amovible.
- ▶ Toujours retirer l'accu si l'appareil n'est pas utilisé, avant de procéder à l'entretien, de remplacer des outils ou pendant le transport.
- ▶ Pour le stockage ou le transport de l'appareil, activer la sécurité de transport.
- ▶ Porter aussi des gants de protection pour changer d'outil. Risque de blessures par coupure et de brûlures au contact avec l'outil amovible.
- ▶ L'utilisateur et les personnes se trouvant à proximité pendant l'utilisation de l'appareil doivent porter des lunettes de protection adaptées, un casque de protection, un casque antibruit, des gants de protection et un masque respiratoire léger.
- ▶ Avant le début du travail, prendre connaissance de la classe de risque de la poussière générée lors des travaux. Utiliser un aspirateur avec une classification de sécurité autorisée officiellement et conforme aux dispositions locales concernant les poussières. Les poussières de matériaux telles que des peintures contenant du plomb, certains types de bois, du béton / de la maçonnerie / des pierres naturelles qui contiennent du quartz ainsi que des minéraux et des métaux peuvent être nuisibles à la santé.
- ▶ Veiller à ce que le poste de travail soit bien ventilé et porter, le cas échéant, un masque de protection respiratoire adapté au type de poussières. Le contact ou l'aspiration de poussière peut provoquer des réactions allergiques et/ou des maladies respiratoires de l'utilisateur ou de toute personne se trouvant à proximité. Les matériaux contenant de l'amiante doivent seulement être manipulés par un personnel spécialisé.
- ▶ Si la sécurité anti-chute Hilti est utilisée, veiller à ce qu'elle ne soit ni endommagée ni arrachée.
- ▶ Faire régulièrement des pauses et des exercices de relaxation et de massage des doigts pour favoriser l'irrigation sanguine dans les doigts.
- ▶ Ne jamais regarder directement dans la lumière (LED) et ne jamais orienter la lumière directement dans le visage d'une personne. Il y a risque d'éblouissement.



- ▶ Les éclats de matière peuvent entraîner des blessures corporelles et aux yeux. Utiliser un équipement de protection individuel et toujours porter des lunettes et des gants de protection.
- ▶ Lors de travaux d'ajourage, protéger l'espace du côté opposé aux travaux.

Sécurité relative au système électrique

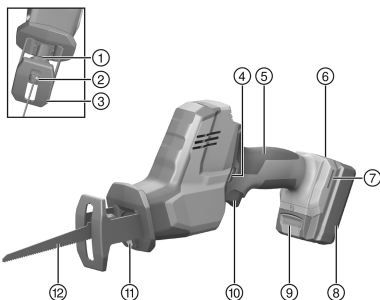
- ▶ Tenir l'appareil par les surfaces isolées des poignées lors des travaux pendant lesquels l'outil utilisé risque de toucher des câbles électriques cachés. Le contact avec un câble sous tension risque de mettre les parties métalliques de l'appareil sous tension et de provoquer une décharge électrique.

2.5 Utilisation et emploi soigneux des accus

- ▶ Respecter les directives spécifiques relatives au transport, au stockage et à l'utilisation des accus Li-Ion.
- ▶ Ne pas exposer les accus à des températures élevées, ni au rayonnement direct du soleil ni au feu.
- ▶ Les accus ne doivent pas être démontés, écrasés, chauffés à une température supérieure à 80 °C (176 °F) ou jetés au feu.
- ▶ Ne jamais utiliser ni charger d'accus qui ont subi un choc électrique, qui sont tombés de plus d'un mètre ou qui ont été endommagés d'une manière quelconque. Si tel est le cas, il convient de contacter le **S.A.V Hilti**.
- ▶ Si l'accu est trop chaud pour être touché, il est probablement défectueux. Placer l'accu dans un endroit bien visible, non inflammable et suffisamment éloigné de matériaux inflammables. Laisser l'accu refroidir. Si, après une heure, l'accu est toujours trop chaud pour être saisi, c'est qu'il est défectueux. Contacter le **S.A.V. Hilti**.

3 Description

3.1 Vue d'ensemble du produit



- ① Douille de verrouillage de la lame de scie
- ② Porte-lame
- ③ Patin d'appui
- ④ Sécurité de transport
- ⑤ Poignée
- ⑥ Indicateur de l'état de charge de l'accu
- ⑦ Fente des deux côtés / d'un côté pour fixer la sécurité anti-chute / patte d'accrochage **Hilti**
- ⑧ Accu
- ⑨ Bouton de déverrouillage de l'accu
- ⑩ Variateur électronique de vitesse
- ⑪ LED blanche d'éclairage de la zone de travail
- ⑫ Lame de scie

3.2 Utilisation conforme à l'usage prévu

Le produit décrit est une scie sabre sans fil. Elle est destinée aux travaux de sciage dans le bois ou des matières analogues au bois, des matériaux métalliques ainsi que dans des plastiques.

Le produit est conçu pour un maniement à une seule main.

- ▶ Pour ce produit, utiliser exclusivement les accus Li-Ion **Hilti** de la série B 12.
- ▶ Pour ces accus, utiliser exclusivement les chargeurs **Hilti** de la série C4/12.

3.3 Mauvaise utilisation possible

- ▶ Ne pas scier de la brique, du béton, du béton cellulaire, de la pierre naturelle ou du carrelage.
- ▶ Ne pas utiliser le produit pour scier des conduites contenant encore du liquide.
- ▶ Ne pas scier dans des sous-sols de nature inconnue.

3.4 Éléments livrés

Scie sabre, mode d'emploi.



4 Caractéristiques techniques

4.1 Caractéristiques techniques

	SR 2-A12
Génération de produit	01
Tension de référence	10,8 V
Poids	1,8 kg (4,0 lb)
Cadence de coupe	0 tr/min ... 3.000 tr/min
Course	16 mm (0,6 in)
Porte-lame sans clé pour outils standard	1/2 in

4.2 Accu

Tension nominale de l'accu	10,8 V
Température de service en cours de service	-17 °C ... 60 °C (1 °F ... 140 °F)
Température de stockage	-20 °C ... 40 °C (-4 °F ... 104 °F)
Température de l'accu au début de la charge	-10 °C ... 45 °C (14 °F ... 113 °F)

5 Préparatifs

AVERTISSEMENT

Risque de blessures du fait d'une mise en marche inopinée !

- ▶ Avant d'insérer l'accu, s'assurer que le produit correspondant est bien sur arrêt.
- ▶ Retirer le bloc-accu, avant d'effectuer des réglages sur l'appareil ou de changer les accessoires.

Bien respecter les consignes de sécurité et les avertissements de la présente documentation ainsi que celles figurant sur le produit.

5.1 Recharge de l'accu

1. Avant de commencer la charge, lire le mode d'emploi du chargeur.
2. Veiller à ce que les contacts de l'accu et du chargeur sont propres et secs.
3. Charger l'accu à l'aide d'un chargeur homologué.

5.2 Retrait de la lame de scie

1. Retirer l'accu. 17
2. Activer la sécurité de transport.
3. Tourner la douille de verrouillage du porte-lame dans le sens contraire des aiguilles d'une montre et la maintenir dans cette position.
4. Tirer la lame du porte-lame vers l'avant hors du porte-lame.
5. Relâcher la douille de verrouillage.



5.3 Mise en place de la lame de scie



Utiliser uniquement des lames de scie avec un emmanchement 1/2".

1. Retirer l'accu. 17
2. Activer la sécurité de transport.
3. Vérifier si l'emmanchement de l'outil est bien propre et légèrement graissé. Le nettoyer et le graisser si nécessaire.
4. Tourner la douille de verrouillage du porte-lame dans le sens contraire des aiguilles d'une montre et la maintenir dans cette position.
5. Pousser la lame par l'avant dans le porte-lame.
6. Relâcher la douille de verrouillage.
7. Vérifier que la lame est bien enclenchée en tirant dessus.

5.4 Montage de la patte d'accrochage (en option)



AVERTISSEMENT

Risque de blessures. Une chute de l'appareil pourrait vous mettre en danger ou mettre en danger d'autres personnes.

- ▶ Avant de commencer à travailler, vérifier que la patte d'accrochage à la ceinture est bien fixée.



Cette patte permet d'accrocher l'appareil à la ceinture le long du corps. La patte d'accrochage peut être montée à droite ou à gauche selon le côté sur lequel l'appareil doit être porté.

1. Enlever l'accu.
2. Insérer la patte d'accrochage dans l'ouverture prévue à cet effet à la base du produit.
3. Attacher la patte d'accrochage avec les 2 vis et vérifier que les têtes de vis sont entièrement enfoncées.

5.5 Introduction de l'accu



AVERTISSEMENT

Risque de blessures du fait d'un court-circuit ou de la chute de l'accu !

- ▶ Avant d'insérer l'accu dans l'appareil, s'assurer que les contacts de l'accu et les contacts sur le produit sont exempts de corps étrangers.
- ▶ S'assurer que l'accu s'encliquette toujours correctement.

1. L'accu doit être entièrement chargé avant la première mise en service.
2. Insérer l'accu dans l'appareil jusqu'à ce qu'il s'encliquette avec un clic audible.
3. Vérifier que l'accu est bien en place.

5.6 Sciage



AVERTISSEMENT

Risque de blessures car la scie continue de tourner !

- ▶ Relever le produit de la pièce travaillée seulement une fois qu'il est complètement arrêté.
- ▶ Attendre jusqu'à ce que le produit soit complètement arrêté avant de le déposer.

1. Désactiver la sécurité de transport et appuyer sur le variateur électronique de vitesse.
2. Une fois l'opération de sciage terminée, relâcher le variateur électronique de vitesse.
3. Activer la sécurité de transport.

5.7 Retrait de l'accu

1. Appuyer sur le bouton de déverrouillage et le maintenir enfoncé.
2. Extraire l'accu du produit vers l'avant.



6 Nettoyage et entretien

AVERTISSEMENT

Risque de blessures lorsque l'accu est inséré !

- ▶ Toujours retirer l'accu avant tous travaux de nettoyage et d'entretien !
-

Entretien du produit

- Éliminer avec précaution les saletés récalcitrantes.
- Le cas échéant, nettoyer soigneusement les ouïes d'aération à l'aide d'une brosse sèche et douce.
- Nettoyer le carter de l'appareil uniquement avec un chiffon légèrement humide. Ne pas utiliser de nettoyeurs à base de silicone car ceci pourrait attaquer les pièces en plastique.
- Utiliser un chiffon propre et sec pour nettoyer les contacts du produit.

Entretien des accus Li-ion

- Ne jamais utiliser un accu dont les ouïes d'aération sont bouchées. Nettoyer soigneusement les ouïes d'aération à l'aide d'une brosse sèche et douce.
- Éviter d'exposer inutilement l'accu à la poussière ou à la saleté. Ne jamais exposer l'accu à une forte humidité (par exemple en l'immergeant dans de l'eau ou en le laissant sous la pluie).
Si l'accu a été trempé, le traiter comme un accu endommagé. L'isoler dans un récipient ininflammable et s'adresser au S.A.V. **Hilti**.
- Veiller à ce que l'accu soit toujours exempt de traces de graisse et d'huile étrangères. Ne pas laisser de la poussière ou de la saleté s'accumuler inutilement sur l'accu. Nettoyer l'accu avec une brosse sèche et douce ou un chiffon propre et sec. Ne pas utiliser de nettoyeurs à base de silicone car ceci pourrait attaquer les pièces en plastique.
Ne pas toucher les contacts de l'accu et ne pas enlever la graisse appliquée en usine sur les contacts.
- Nettoyer le carter de l'appareil uniquement avec un chiffon légèrement humide. Ne pas utiliser de nettoyeurs à base de silicone car ceci pourrait attaquer les pièces en plastique.

Entretien

- Vérifier régulièrement qu'aucune pièce visible n'est endommagée et que les organes de commande sont parfaitement opérationnels.
 - Ne pas utiliser le produit en cas d'endommagements et/ou de dysfonctionnements. Faire immédiatement réparer le produit par le S.A.V. **Hilti**.
 - Après des travaux de nettoyage et d'entretien, vérifier si tous les équipements de protection sont bien en place et fonctionnent parfaitement.
-



Pour une utilisation en toute sécurité, utiliser uniquement des pièces de rechange et consommables d'origine. Vous trouverez les pièces de rechange, consommables et accessoires autorisés par **Hilti** convenant pour votre produit dans le centre **Hilti Store** ou sous : www.hilti.group

7 Transport et entreposage

Transport des outils sans fil et des accus

ATTENTION

Mise en marche inopinée lors du transport !

- ▶ Toujours retirer les accus avant de transporter les produits !
-
- ▶ Retirer le ou les accus.
 - ▶ Ne jamais transporter les accus en vrac. Pendant le transport, les accus doivent être protégés des vibrations et chocs excessifs, isolés de tout matériau conducteur ou autre accu, pour éviter qu'ils n'entrent en contact avec d'autres pôles de batterie et qu'ils provoquent un court-circuit. **Tenir compte des prescriptions locales pour le transport d'accus.**
 - ▶ Ne pas envoyer les accus par la poste. S'adresser à un service d'expédition s'il faut envoyer des accus non endommagés.
 - ▶ Contrôler l'état du produit et des accus avant chaque utilisation, ainsi qu'avant et après tout transport prolongé.



Stockage des outils sans fil et des accus



AVERTISSEMENT

Endommagement involontaire du fait d'accus défectueux ou de chute d'accu !

- ▶ Toujours retirer les accus avant de stocker les produits !
-
- ▶ Stocker si possible le produit et les accus dans un endroit sec et frais. Respecter les valeurs limites de température indiquées dans les caractéristiques techniques 16.
 - ▶ Ne pas stocker les accus sur le chargeur. Retirer toujours l'accu du chargeur après la charge.
 - ▶ Ne jamais stocker les accus exposés au soleil, sur des sources de chaleur ou derrière des vitres.
 - ▶ Stocker le produit et les accus à l'abri des enfants et des personnes non autorisées.
 - ▶ Contrôler l'état du produit et des accus avant chaque utilisation, ainsi qu'avant et après tout stockage prolongé.

8 Aide au dépannage

En cas de défaillances non énumérées dans ce tableau ou auxquelles il n'est pas possible de remédier sans aide, contacter le S.A.V. Hilti.

8.1 La scie sabre n'est pas en état de marche

Défaillance	Causes possibles	Solution
L'appareil ne se met pas en marche.	L'accu n'est pas complètement encliqueté.	▶ Encliqueter l'accu d'un clic.
	Accu vide.	▶ Charger l'accu.
	La sécurité de transport n'est pas activée.	▶ Activer la sécurité de transport.
Impossible de retirer la lame de scie du porte-lame.	La douille de verrouillage n'a pas été tournée jusqu'en butée.	▶ Tourner la douille de verrouillage jusqu'en butée et retirer la lame de scie.

8.2 La scie sabre est en état de marche

Défaillance	Causes possibles	Solution
L'appareil n'atteint pas la pleine puissance.	Le variateur électronique de vitesse n'est pas complètement enfoncé.	▶ Enfoncer complètement le variateur électronique de vitesse.
	Décharger le bloc-accu	▶ Remplacer l'accu et charger l'accu vide.
Impossible de retirer la lame de scie du porte-lame.	La douille de verrouillage n'a pas été tournée jusqu'en butée.	▶ Tourner la douille de verrouillage jusqu'en butée et retirer la lame de scie.

9 Recyclage



AVERTISSEMENT

Risque de blessures en cas d'élimination incorrecte ! Émanations possibles de gaz et de liquides nocives pour la santé.

- ▶ Ne pas envoyer ni expédier d'accus endommagés !
- ▶ Recouvrir les raccordements avec un matériau non conducteur pour éviter tout court-circuit.
- ▶ Éliminer les accus en veillant à ce qu'ils soient hors de la portée des enfants.
- ▶ Éliminer l'accu en le déposant auprès du **Hilti Store** local ou s'adresser à l'entreprise de collecte des déchets compétente.



Les produits **Hilti** sont fabriqués pour une grande partie en matériaux recyclables. Le recyclage pré suppose un tri adéquat des matériaux. **Hilti** reprend les appareils usagés dans de nombreux pays en vue de leur recyclage. Consulter le service clients **Hilti** ou un conseiller commercial.



- ▶ Ne pas jeter les appareils électriques, électroniques et accus dans les ordures ménagères !




- ▶ En caso de preguntas sur les conditions de garantie, veuillez vous adresser à votre partenaire **Hilti** local.

Manual de instrucciones original

1 Información sobre el manual de instrucciones

1.1 Acerca de este manual de instrucciones

- **¡Atención!** Asegúrese de haber leído y entendido toda la documentación adjunta, incluidas, entre otras, las instrucciones, advertencias de seguridad, ilustraciones y especificaciones que se proporcionan con este producto. Familiarícese con todas las instrucciones, advertencias de seguridad, ilustraciones, especificaciones, componentes y funciones del producto antes de utilizarlo. De lo contrario, existe peligro de descarga eléctrica, incendio y/o lesiones graves. Conserve todas las advertencias e instrucciones para futuras consultas.
- Los productos **HILTI** han sido diseñados para usuarios profesionales y solo personal autorizado y debidamente formado puede utilizarlos y llevar a cabo su mantenimiento y conservación. Este personal debe estar especialmente instruido en lo referente a los riesgos de uso. La utilización del producto y sus dispositivos auxiliares puede conllevar riesgos para el usuario en caso de manejarse de forma inadecuada por personal no cualificado o utilizarse para usos diferentes a los que están destinados.
- La documentación adjunta corresponde al estado actual de la técnica en el momento de la impresión. Compruebe siempre la última versión en la página del producto de la página web de Hilti. Para ello siga el enlace o escanee el código QR que figura en esta documentación y que se indica con el símbolo .
- No entregue nunca el producto a otras personas sin este manual de instrucciones.

1.2 Explicación de símbolos

1.2.1 Avisos

Las advertencias de seguridad advierten de peligros derivados del manejo del producto. Se utilizan las siguientes palabras de peligro:

PELIGRO

PELIGRO !

- ▶ Término utilizado para un peligro inminente que puede ocasionar lesiones graves o incluso la muerte.

ADVERTENCIA

ADVERTENCIA !

- ▶ Término utilizado para un posible peligro que puede ocasionar lesiones graves o incluso la muerte.





PRECAUCIÓN

PRECAUCIÓN !

- ▶ Término utilizado para una posible situación peligrosa que puede ocasionar lesiones o daños materiales.

1.2.2 Símbolos en la documentación

En esta documentación se utilizan los siguientes símbolos:

	Leer el manual de instrucciones antes del uso
	Indicaciones de uso y demás información de interés
	Manejo con materiales reutilizables
	No tirar las herramientas eléctricas y las baterías junto con los desperdicios domésticos



1.2.3 Símbolos en las figuras

En las figuras se utilizan los siguientes símbolos:

	Estos números hacen referencia a la figura correspondiente incluida al principio de este manual
3	La numeración describe el orden de los pasos de trabajo en la imagen y puede ser diferente de los pasos descritos en el texto
	Los números de posición se utilizan en la figura Vista general y los números de la leyenda están explicados en el apartado Vista general del producto
	Preste especial atención a este símbolo cuando utilice el producto.

1.3 Símbolos de productos

1.3.1 Símbolos en el producto

En el producto se pueden utilizar los siguientes símbolos:

	Corriente continua
n_0	Número de carreras en marcha en vacío
	La herramienta admite la tecnología NFC, compatible con plataformas iOS y Android.
Li-Ion	Batería de Ion-Litio
	Serie utilizada de baterías de Ion-Litio Hilti . Consulte las indicaciones recogidas en el capítulo Uso conforme a las prescripciones .
	Nunca utilice la batería como herramienta de percusión.
	No deje que la batería se caiga. No utilice baterías que hayan recibido algún golpe ni que estén dañadas de alguna otra forma.

2 Seguridad

2.1 Indicaciones generales de seguridad para herramientas eléctricas

⚠ ADVERTENCIA Lea con atención todas las indicaciones de seguridad, instrucciones, ilustraciones y datos técnicos correspondientes a esta herramienta eléctrica. La negligencia en el cumplimiento de las instrucciones que se describen a continuación podría provocar descargas eléctricas, incendios o lesiones graves.

Conserve todas las instrucciones e indicaciones de seguridad para futuras consultas.

El término «herramienta eléctrica» empleado en las indicaciones de seguridad se refiere a herramientas eléctricas portátiles, ya sea con cable de red o sin cable, en caso de ser accionadas por batería.

Seguridad en el puesto de trabajo

- ▶ **Mantenga su área de trabajo limpia y bien iluminada.** El desorden o una iluminación deficiente de las zonas de trabajo pueden provocar accidentes.
- ▶ **No utilice la herramienta eléctrica en un entorno con peligro de explosión en el que se encuentren líquidos, gases o polvos inflamables.** Las herramientas eléctricas producen chispas que pueden llegar a inflamar los materiales en polvo o vapores.
- ▶ **Mantenga alejados a los niños y otras personas de su puesto de trabajo al emplear la herramienta eléctrica.** Una distracción le puede hacer perder el control sobre la herramienta.

Seguridad eléctrica

- ▶ **El enchufe de la herramienta eléctrica debe corresponder a la toma de corriente utilizada. No se deberá modificar el enchufe en forma alguna. No utilice enchufes adaptadores para las herramientas eléctricas con puesta a tierra.** Los enchufes sin modificar adecuados a las respectivas tomas de corriente reducen el riesgo de descarga eléctrica.
- ▶ **Evite el contacto corporal con superficies que tengan puesta a tierra, como pueden ser tubos, calefacciones, cocinas y frigoríficos.** El riesgo a quedar expuesto a una sacudida eléctrica es mayor si su cuerpo tiene contacto con tierra.



- ▶ **No exponga las herramientas eléctricas a la lluvia y evite que penetren líquidos en su interior.** El riesgo de recibir descargas eléctricas aumenta si penetra agua en la herramienta eléctrica.
- ▶ **No utilice el cable de conexión para transportar o colgar la herramienta eléctrica ni tire de él para extraer el enchufe de la toma de corriente. Mantenga el cable de conexión alejado de fuentes de calor, aceite, aristas afiladas o piezas móviles.** Los cables de conexión dañados o enredados pueden provocar descargas eléctricas.
- ▶ **Cuando trabaje al aire libre con una herramienta eléctrica, utilice exclusivamente un alargador adecuado para exteriores.** La utilización de un alargador adecuado para su uso en exteriores evita el riesgo de una descarga eléctrica.
- ▶ **Cuando no pueda evitarse el uso de la herramienta eléctrica en un entorno húmedo, utilice un interruptor de corriente de defecto.** La utilización de un interruptor de corriente de defecto evita el riesgo de una descarga eléctrica.

Seguridad de las personas

- ▶ **Permanezca atento, preste atención durante el trabajo y utilice la herramienta eléctrica con prudencia. No utilice una herramienta eléctrica si está cansado, ni tampoco después de haber consumido alcohol, drogas o medicamentos.** Un momento de descuido al utilizar la herramienta eléctrica podría producir graves lesiones.
- ▶ **Utilice el equipo de seguridad personal adecuado y lleve siempre gafas protectoras.** El riesgo de lesiones se reduce considerablemente si, según el tipo y la aplicación de la herramienta eléctrica empleada, se utiliza un equipo de seguridad personal adecuado como una mascarilla antipolvo, zapatos de seguridad con suela antideslizante, casco de protección o protección para los oídos.
- ▶ **Evite una puesta en servicio fortuita de la herramienta. Asegúrese de que la herramienta eléctrica está apagada antes de alzarla, transportarla, conectarla a la toma de corriente o insertar la batería.** Si transporta la herramienta eléctrica sujetándola por el interruptor de conexión/desconexión o si introduce el enchufe en la toma de corriente con la herramienta conectada, podría producirse un accidente.
- ▶ **Retire las herramientas de ajuste o llaves fijas antes de conectar la herramienta eléctrica.** Una herramienta o llave colocada en una pieza giratoria puede producir lesiones al ponerse en funcionamiento.
- ▶ **Evite adoptar posturas forzadas. Procure que la postura sea estable y manténgase siempre en equilibrio.** De esta forma podrá controlar mejor la herramienta eléctrica en caso de presentarse una situación inesperada.
- ▶ **Utilice ropa adecuada. No utilice vestimenta amplia ni joyas. Mantenga su pelo, vestimenta y guantes alejados de las piezas móviles.** La vestimenta suelta, las joyas y el pelo largo se pueden enganchar con las piezas en movimiento.
- ▶ **Siempre que sea posible montar equipos de aspiración o captación de polvo, asegúrese de que están conectados y de que se utilizan correctamente.** El uso de un sistema de aspiración de polvo reduce los riesgos derivados del polvo.
- ▶ **No se crea a salvo de cualquier riesgo ni pase por alto ninguna de las normas de seguridad relativas a las herramientas eléctricas, aun cuando esté familiarizado con la herramienta eléctrica y tenga larga experiencia en su uso.** Una actuación negligente puede provocar lesiones graves en cuestión de segundos.

Uso y manejo de la herramienta eléctrica

- ▶ **No sobrecargue la herramienta. Utilice la herramienta eléctrica adecuada para el trabajo que se dispone a realizar.** Con la herramienta eléctrica apropiada podrá trabajar mejor y de modo más seguro dentro del margen de potencia indicado.
- ▶ **No utilice herramientas eléctricas con el interruptor defectuoso.** Las herramientas eléctricas que no se puedan conectar o desconectar son peligrosas y deben repararse.
- ▶ **Extraiga el enchufe de la toma de corriente o retire la batería extraíble antes de efectuar cualquier ajuste en la herramienta, cambiar accesorios o en caso de no utilizar la herramienta durante un tiempo prolongado.** Esta medida preventiva evita el riesgo de arranque accidental de la herramienta eléctrica.
- ▶ **Guarde las herramientas eléctricas que no utilice fuera del alcance de los niños. No permita utilizar la herramienta a ninguna persona que no esté familiarizada con ella o que no haya leído este manual de instrucciones.** Las herramientas eléctricas utilizadas por personas inexpertas son peligrosas.
- ▶ **Cuide su herramienta eléctrica y los accesorios adecuadamente. Compruebe si las piezas móviles de la herramienta funcionan correctamente y sin atascarse, y si existen piezas rotas o deterioradas que pudieran afectar al funcionamiento de la herramienta eléctrica. Encargue la reparación de las piezas defectuosas antes de usar la herramienta eléctrica.** Muchos accidentes son consecuencia de un mantenimiento inadecuado de la herramienta eléctrica.



- ▶ **Mantenga los útiles limpios y afilados.** Las herramientas de corte bien cuidadas y con aristas afiladas se atascan menos y se guían con más facilidad.
- ▶ **Utilice la herramienta eléctrica, los accesorios, útiles de inserción, etc., de acuerdo con estas instrucciones. Para ello, tenga en cuenta las condiciones de trabajo y la tarea que se va a realizar.** El uso de herramientas eléctricas para trabajos diferentes de aquellos para los que han sido concebidas puede resultar peligroso.
- ▶ **Mantenga las empuñaduras y las superficies de contacto secas, limpias y sin residuos de aceite o grasa.** Las empuñaduras y superficies de contacto resbaladizas impiden manejar y controlar la herramienta eléctrica con seguridad en situaciones imprevistas.

Uso y manejo de la herramienta de batería

- ▶ **Cargue las baterías únicamente con los cargadores recomendados por el fabricante.** Existe riesgo de incendio al intentar cargar baterías de un tipo diferente al previsto para el cargador.
- ▶ **Utilice únicamente las baterías previstas para la herramienta eléctrica.** El uso de otro tipo de baterías puede provocar daños e incluso incendios.
- ▶ **Si no utiliza la batería, guárdela separada de clips, monedas, llaves, clavos, tornillos y demás objetos metálicos que pudieran puentear sus contactos.** El cortocircuito de los contactos de la batería puede causar quemaduras o incendios.
- ▶ **La utilización inadecuada de la batería puede provocar fugas de líquido. Evite el contacto con este líquido. En caso de contacto accidental, enjuague el área afectada con abundante agua. En caso de contacto con los ojos, acuda además inmediatamente a un médico.** El líquido de la batería puede irritar la piel o producir quemaduras.
- ▶ **No utilice baterías dañadas o modificadas.** Una batería dañada o modificada puede tener un comportamiento imprevisible y provocar incendios, explosiones o riesgo de lesiones.
- ▶ **No exponga la batería al fuego o a temperaturas muy elevadas.** El fuego o las temperaturas superiores a 130 °C (265 °F) pueden provocar una explosión.
- ▶ **Siga todas las instrucciones relativas a la carga y no cargue nunca la batería o la herramienta de batería excediendo el rango de temperatura indicado en el manual de instrucciones.** Una carga incorrecta o fuera del rango de temperatura permitido puede destruir la batería y aumentar el riesgo de incendio.

Servicio Técnico

- ▶ **Solicite que un profesional lleve a cabo la reparación de su herramienta eléctrica y que utilice exclusivamente piezas de repuesto originales.** Solamente así se garantiza la seguridad de la herramienta.
- ▶ **No realice nunca el mantenimiento de baterías dañadas.** Cualquier mantenimiento de las baterías debe llevarlo a cabo el fabricante o un centro del Servicio de Atención al Cliente autorizado.

2.2 Indicaciones de seguridad para sierras con hojas de sierra de vaivén

- ▶ **Sujete la herramienta eléctrica por las empuñaduras aisladas cuando realice trabajos en los que el útil de inserción puede entrar en contacto con cables eléctricos ocultos.** El contacto con los cables conductores puede traspasar la conductividad a las partes metálicas y producir descargas eléctricas.
- ▶ **Fije y asegure la herramienta a una superficie estable con abrazaderas o mediante otro sistema.** Si solo utiliza la mano para sujetar la pieza de trabajo o se la apoya contra el cuerpo, la pieza estará inestable, lo que puede provocar una pérdida de control.

2.3 Indicaciones de seguridad adicionales para el serrado

Seguridad de las personas

- ▶ Mantenga las manos alejadas del área de corte y de la hoja de sierra.
- ▶ No toque la parte inferior de la pieza de trabajo.
- ▶ Mantenga la hoja de sierra a un lado y no la coloque en línea con su cuerpo. La sierra puede retroceder bruscamente al rebotar.
- ▶ No utilice nunca la herramienta sin un protector de mano en buen estado funcional.
- ▶ Si la hoja de sierra se atasca o el trabajo se interrumpe, desconecte la sierra y espere hasta que la hoja de sierra se detenga. Nunca intente extraer la sierra de la pieza de trabajo ni tirar de ella hacia atrás mientras la hoja de sierra esté en funcionamiento, ya que de lo contrario puede rebotar.
- ▶ Para continuar el trabajo con la sierra insertada en la pieza de trabajo, centre la hoja de sierra en la ranura y compruebe que los dientes no estén enganchados en la pieza de trabajo.
- ▶ Preste especial atención al serrar en paredes o en áreas ocultas. Durante el proceso de serrado, la hoja de sierra puede quedar bloqueada en objetos ocultos y provocar un rebote.



- ▶ Utilice siempre una hoja de sierra con la longitud adecuada. La hoja de sierra debe sobresalir de la pieza de trabajo durante la carrera completa.
- ▶ No utilice hojas de sierra desafiladas o dañadas. Estas podrían provocar una elevada fricción, el atasco o el rebote de la hoja de sierra.
- ▶ Fije la pieza de trabajo sobre una superficie estable. No sujete nunca la pieza de trabajo con la mano o sobre sus piernas.
- ▶ Trabaje con una presión de apriete moderada y una velocidad de corte adecuada, en especial si el diámetro del tubo es muy grande. De este modo, se impide el sobrecalentamiento de la herramienta.
- ▶ A la hora de cortar canalizaciones, asegúrese primero de que las tuberías no contengan líquido. Vacíelas si fuera necesario.
- ▶ Cuando se vayan a seccionar canalizaciones deberá mantenerse la herramienta más alta que el conducto que se va a cortar.
 - ▶ La herramienta no está dotada de ninguna protección contra la penetración de humedad. El líquido derramado puede ocasionar un cortocircuito en la herramienta.
- ▶ No corte nunca superficies desconocidas y mantenga la guía de corte libre de obstáculos por arriba y por abajo.
 - ▶ Si la hoja de sierra topa con un obstáculo, puede provocar un retroceso en la herramienta.
- ▶ Consulte las indicaciones del fabricante sobre el manejo y conservación de las hojas de sierra.

2.4 Indicaciones de seguridad adicionales

- ▶ Utilice el producto solo si está en perfecto estado técnico.
- ▶ No efectúe nunca manipulaciones o modificaciones en la herramienta.
- ▶ Antes de empezar a trabajar, compruebe si la zona de trabajo oculta cables eléctricos, tuberías de gas o cañerías de agua. Las partes metálicas exteriores de la herramienta pueden provocar una descarga eléctrica si se daña por error un cable eléctrico.
- ▶ Conecte el producto una vez se encuentre en la posición de trabajo.
- ▶ Aparte siempre la herramienta del cuerpo cuando se esté trabajando con ella.
- ▶ Para cambiar el útil, utilice también guantes de protección. El contacto con el útil de inserción puede producir cortes y quemaduras.
- ▶ Retire siempre la batería de la herramienta cuando no la utilice, antes de realizar un trabajo de mantenimiento o cambiar los útiles y durante el transporte.
- ▶ Active el seguro de transporte para realizar el almacenamiento y el transporte de la herramienta.
- ▶ Para cambiar el útil, utilice también guantes de protección. El contacto con el útil de inserción puede producir cortes y quemaduras.
- ▶ El usuario y las personas que se encuentren en las inmediaciones de la zona de uso de la herramienta deberán llevar gafas protectoras adecuadas, casco de protección, protección para los oídos, guantes de protección y una mascarilla ligera.
- ▶ Antes de iniciar el trabajo, consulte la clase de peligros derivados del polvo resultante del trabajo. Utilice un aspirador de obra con una clasificación de protección homologada conforme a las normas locales sobre la protección contra el polvo. El polvo procedente de materiales como pinturas con plomo, determinadas maderas, hormigón/mampostería/rocas con cuarzo, así como minerales y metal puede ser nocivo para la salud.
- ▶ Procure una buena ventilación en el lugar de trabajo y utilice en caso necesario una mascarilla adecuada para cada clase de polvo. El contacto con el polvo o su inhalación puede provocar reacciones alérgicas o asfixia al usuario o a personas que se encuentren en su entorno. Únicamente expertos cualificados están autorizados a manipular materiales que contengan asbesto.
- ▶ Si utiliza la protección en caso de caída de Hilti, compruebe que esta no presenta daños ni desgarros.
- ▶ Haga pausas durante el trabajo, así como ejercicios de relajación y estiramiento de los dedos para mejorar la circulación.
- ▶ No mire directamente hacia la luz (LED) ni dirija la luz a la cara de otras personas. Existe riesgo de deslumbramiento.
- ▶ El material que sale disparado puede ocasionar lesiones en los ojos y en el cuerpo. Utilice el equipo de seguridad personal adecuado y lleve siempre gafas y guantes protectores.
- ▶ Durante el proceso de taladrado, proteja la zona opuesta al lugar donde se realiza el trabajo.

Seguridad eléctrica

- ▶ Sujete la herramienta por las empuñaduras aisladas cuando realice trabajos en los que el útil puede entrar en contacto con cables eléctricos ocultos. El contacto con los cables conductores puede traspasar la conductividad a las partes metálicas y producir descargas eléctricas.

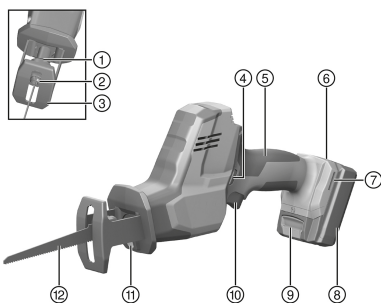


2.5 Manipulación y utilización segura de las baterías

- ▶ Tenga en cuenta las directivas especiales en materia de transporte, almacenamiento y manejo de las baterías de Ion-Litio.
- ▶ Mantenga las baterías alejadas de altas temperaturas, radiación solar directa y fuego.
- ▶ Las baterías no se deben destruir, comprimir, calentar por encima de 80 °C (176 °F) o quemar.
- ▶ No utilice ni cargue baterías que hayan recibido algún golpe, que hayan caído desde una altura superior a un metro o que estén dañadas de alguna otra forma. En este caso, póngase siempre en contacto con el **Hilti Servicio Técnico**.
- ▶ Si al tocar la batería detecta que está muy caliente, puede deberse a una avería en la misma. Coloque la batería en un lugar visible, no inflamable, a suficiente distancia de otros materiales inflamables. Deje que la batería se enfríe. Si, después de una hora, la herramienta sigue estando demasiado caliente para tocarla significa que está averiada. Póngase en contacto con el **Servicio Técnico de Hilti**.

3 Descripción

3.1 Vista general del producto



- ① Casquillo de bloqueo de la hoja de sierra
- ② Portaútiles de la hoja de sierra
- ③ Zapata de presión
- ④ Seguro de transporte
- ⑤ Empuñadura
- ⑥ Indicador del estado de carga de la batería
- ⑦ Ranura en ambos lados/en un solo lado para fijar la protección en caso de caída/el colgador de cinturón de **Hilti**
- ⑧ Batería
- ⑨ Tecla de desbloqueo de la batería
- ⑩ Conmutador de control
- ⑪ LED blanco para iluminar el entorno de trabajo
- ⑫ Hoja de sierra

3.2 Uso conforme a las prescripciones

El producto descrito es una sierra sable de batería. Está destinada al tronzado de madera, materiales similares y metálicos, así como plásticos.

El producto ha sido diseñado para el uso con una mano.

- ▶ Para este producto utilice únicamente las baterías de Ion-Litio de **Hilti** de la serie B 12.
- ▶ Para estas baterías utilice exclusivamente los cargadores de **Hilti** de la serie C4/12.

3.3 Posibles usos indebidos

- ▶ No corte ladrillos, hormigón, hormigón poroso, piedra natural ni azulejos.
- ▶ No utilice el producto para cortar tuberías que todavía contienen líquidos.
- ▶ No sierre cuando se desconozca lo que se encuentra en la capa inferior.

3.4 Suministro

Sierra sable, manual de instrucciones.



Encontrará otros productos del sistema autorizados para su producto en su **Hilti Store** o en Internet, en: www.hilti.group



4 Datos técnicos

4.1 Datos técnicos

	SR 2-A12
Generación de productos	01
Tensión nominal	10,8 V
Peso	1,8 kg (4,0 lb)
Número de carreras	0 rpm ... 3.000 rpm
Longitud de carrera	16 mm (0,6 in)
Portátiles con inserción automática de útiles estándar	1/2 in

4.2 Batería

Tensión de servicio de la batería	10,8 V
Temperatura ambiente en funcionamiento	-17 °C ... 60 °C (1 °F ... 140 °F)
Temperatura de almacenamiento	-20 °C ... 40 °C (-4 °F ... 104 °F)
Temperatura de la batería al comenzar la carga	-10 °C ... 45 °C (14 °F ... 113 °F)

5 Preparación del trabajo



ADVERTENCIA

Riesgo de lesiones por arranque involuntario.

- ▶ Antes de insertar la batería, asegúrese de que el producto correspondiente esté desconectado.
- ▶ Retire la batería antes de realizar ajustes en la herramienta o de cambiar accesorios.

Respete las indicaciones de seguridad y las advertencias presentes en esta documentación y en el producto.

5.1 Carga de la batería

1. Antes de cargarla, lea el manual de instrucciones del cargador.
2. Asegúrese de que los contactos de la batería y del cargador estén limpios y secos.
3. Cargue la batería en un cargador autorizado.

5.2 Retirada de la hoja de sierra

1. Retire la batería. 27
2. Active el seguro de transporte.
3. Gire el casquillo de bloqueo del portaútiles en el sentido contrario a las agujas del reloj y manténgalo apretado.
4. Extraiga la hoja de sierra del portaútiles tirando hacia fuera.
5. Deslice hacia atrás el casquillo de bloqueo.

5.3 Colocación de la hoja de sierra



Utilice únicamente hojas de sierra con extremos de inserción de 1/2".

1. Retire la batería. 27
2. Active el seguro de transporte.



3. Compruebe si el extremo de inserción del útil está limpio y ligeramente engrasado. Limpie y engrase el extremo de inserción en caso necesario.
4. Gire el casquillo de bloqueo del portaútiles en el sentido contrario a las agujas del reloj y manténgalo apretado.
5. Introduzca la hoja de sierra por la parte delantera del portaútiles.
6. Deslice hacia atrás el casquillo de bloqueo.
7. Tire de la hoja de sierra para comprobar que esté bien enclavada.

5.4 Montaje del colgador de cinturón (opcional)

ADVERTENCIA

Riesgo de lesiones. Si se cae la herramienta, usted u otras personas pueden verse en peligro.

- ▶ Antes de iniciar el trabajo, compruebe que el colgador de cinturón está fijado con seguridad.

Con el colgador de cinturón puede fijar la herramienta en el cinturón de forma que quede pegada al cuerpo. El colgador de cinturón puede montarse para llevar la herramienta tanto a la derecha como a la izquierda.

1. Extraiga la batería.
2. Introduzca el colgador de cinturón en el orificio situado en la base del producto.
3. Sujete el colgador de cinturón con dos tornillos y asegúrese de que las cabezas de los tornillos estén completamente introducidas.

5.5 Colocación de la batería

ADVERTENCIA

Riesgo de lesiones por cortocircuito o caída de la batería.

- ▶ Antes de insertar la batería, asegúrese de que los contactos de la batería y del producto estén libres de cuerpos extraños.
- ▶ Asegúrese de que la batería encaje siempre correctamente.

1. Cargue por completo la batería antes de la primera puesta en servicio.
2. Coloque la batería en el soporte de la herramienta hasta que encaje de forma audible.
3. Compruebe que la batería está bien colocada.

5.6 Serrado

ADVERTENCIA

Riesgo de lesiones por funcionamiento residual de la sierra !

- ▶ No levante el producto de la pieza hasta que se haya parado por completo.
- ▶ Espere hasta que el producto se haya detenido por completo antes de dejarlo sobre alguna superficie.

1. Desactive el seguro de transporte y pulse el conmutador de control.
2. Cuando haya terminado la operación de serrado, suelte el conmutador de control.
3. Active el seguro de transporte.

5.7 Extracción de la batería

1. Pulse el botón de desbloqueo y manténgalo pulsado.
2. Extraiga la batería del producto tirando hacia delante.

6 Cuidado y mantenimiento

ADVERTENCIA

Riesgo de lesiones con la batería colocada !

- ▶ Extraiga siempre la batería antes de llevar a cabo tareas de cuidado y mantenimiento.



Cuidado del producto

- Elimine con precaución la suciedad fuertemente adherida.
- Las rejillas de ventilación, si las hay, deben limpiarse con cuidadosamente con un cepillo seco y suave.
- Limpie la carcasa solo con un paño ligeramente humedecido. No utilice productos de limpieza que contengan silicona, ya que podrían dañar las piezas de plástico.
- Utilice un paño limpio y seco para limpiar los contactos del producto.

Cuidado de las baterías de Ion-Litio

- No utilice nunca una batería con las rejillas de ventilación obstruidas. Limpie cuidadosamente las rejillas de ventilación con un cepillo seco y suave.
- Evite la exposición innecesaria de la batería al polvo o la suciedad. No exponga nunca la batería a altos niveles de humedad (por ejemplo, sumergiéndola en agua o dejándola bajo la lluvia). Si penetra agua en la batería, trátela como una batería dañada. Aíslela en un recipiente no inflamable y póngase en contacto con el Servicio Técnico de **Hilti**.
- Mantenga la batería limpia de aceite o grasa. No permita la acumulación innecesaria de polvo o suciedad en la batería. Limpie la batería con un cepillo seco y suave o con un paño limpio y seco. No utilice productos de limpieza que contengan silicona, ya que podrían dañar las piezas de plástico. No toque los contactos de la batería y no elimine de los contactos la grasa aplicada de fábrica.
- Limpie la carcasa solo con un paño ligeramente humedecido. No utilice productos de limpieza que contengan silicona, ya que podrían afectar a las piezas de plástico.

Mantenimiento

- Compruebe con regularidad que las piezas visibles no estén dañadas y los elementos de manejo funcionen correctamente.
- No utilice el producto si presenta daños o fallos que afecten al funcionamiento. Encargue inmediatamente la reparación del producto al Servicio Técnico de **Hilti**.
- Tras las tareas de cuidado y mantenimiento, coloque todos los dispositivos de protección y asegúrese de que funcionen correctamente.



Para garantizar un correcto funcionamiento, utilice exclusivamente piezas de repuesto y consumibles originales. Las piezas de repuesto, los consumibles y los accesorios autorizados por **Hilti** se pueden consultar en su **Hilti Store** o en: www.hilti.group

7 Transporte y almacenamiento

Transporte de baterías y herramientas a batería

PRECAUCIÓN

Arranque involuntario en el transporte !

- ▶ Transporte sus productos siempre sin batería.
- ▶ Extraiga la(s) batería(s).
- ▶ Nunca transporte las baterías sin embalaje. Durante el transporte, las baterías deben estar protegidas frente a vibraciones y golpes excesivos y aisladas de todo material conductor y de otras baterías para que no entren en contacto con los polos de otras baterías y causen un cortocircuito. **Tenga en cuenta las normativas locales sobre el transporte de baterías.**
- ▶ Las baterías no deben enviarse por correo. Diríjase a una empresa de transporte si quiere enviar baterías no dañadas.
- ▶ Compruebe si el producto o las baterías están dañados antes de cada uso y antes y después de un transporte prolongado.

Almacenamiento de baterías y herramientas a batería

ADVERTENCIA

Daños imprevistos debido a una batería defectuosa o agotada !

- ▶ Guarde su productos siempre sin batería.
- ▶ Guarde el producto y las baterías en un lugar fresco y seco. Tenga en cuenta los valores límite de temperatura que figuran en los datos técnicos 26.
- ▶ No almacene las baterías en el cargador. Extraiga siempre la batería del cargador después del proceso de carga.
- ▶ No guarde nunca las baterías en un lugar expuesto al sol, a fuentes de calor o detrás de un cristal.
- ▶ Guarde el producto y las baterías fuera del alcance de niños y personas no autorizadas.



- ▶ Compruebe si el producto o las baterías están dañados antes de cada uso y antes y después de un almacenamiento prolongado.

8 Ayuda en caso de averías

Si se producen averías que no estén incluidas en esta tabla o que no pueda solucionar usted, diríjase al Servicio Técnico de **Hilti**.

8.1 La sierra sable no está lista para funcionar

Anomalía	Posible causa	Solución
La herramienta no se pone en marcha.	La batería no se ha insertado completamente.	▶ Introduzca la batería hasta que encaje y se oiga un «clic».
	La batería está descargada.	▶ Cargue la batería.
	Seguro de transporte no activado.	▶ Accione el seguro de transporte.
La hoja de sierra no puede extraerse del portaútiles.	Casquillo de bloqueo no girado hasta el tope.	▶ Gire el casquillo de bloqueo hasta el tope y retire la hoja de sierra.

8.2 La sierra sable está lista para funcionar

Anomalía	Posible causa	Solución
La herramienta no desarrolla toda la potencia.	Conmutador de control no presionado del todo	▶ Pulse completamente el conmutador de control.
	Descarga de la batería	▶ Cambie la batería y cargue la que se encuentra descargada.
La hoja de sierra no puede extraerse del portaútiles.	Casquillo de bloqueo no girado hasta el tope.	▶ Gire el casquillo de bloqueo hasta el tope y retire la hoja de sierra.

9 Reciclaje

ADVERTENCIA

Riesgo de lesiones por un reciclaje indebido. Riesgo para la salud debido a escapes de gases o líquidos.

- ▶ No envíe baterías dañadas bajo ningún concepto.
- ▶ Cubra las conexiones con un material no conductor para evitar cortocircuitos.
- ▶ Deshágase de las baterías de tal forma que no terminen en manos de niños.
- ▶ Elimine la batería en su **Hilti Store** o diríjase a su empresa de desechos.

Los productos **Hilti** están fabricados en su mayor parte con materiales reutilizables. La condición para dicha reutilización es una separación adecuada de los materiales. En muchos países, **Hilti** recoge las herramientas usadas para su recuperación. Pregunte al Servicio de Atención al Cliente de **Hilti** o a su asesor de ventas.



- ▶ No deseche las herramientas eléctricas, los aparatos eléctricos ni las baterías junto con los residuos domésticos.

10 Garantía del fabricante

- ▶ Si tiene alguna consulta acerca de las condiciones de la garantía, póngase en contacto con su sucursal local de **Hilti**.



Manual de instruções original

1 Indicações sobre o Manual de instruções

1.1 Relativamente a este Manual de instruções

- **Aviso!** Antes de utilizar o produto, certifique-se de que leu e compreendeu o Manual de instruções fornecido com o produto incluindo as instruções, instruções de segurança e advertências, figuras e especificações. Familiarize-se sobretudo com todas as instruções, instruções de segurança e advertências, figuras, especificações, bem como com componentes e funções. Em caso de incumprimento existe perigo de choque eléctrico, incêndio e/ou ferimentos graves. Guarde o Manual de instruções incluindo todas as instruções, instruções de segurança e advertências para utilização posterior.
- Os produtos destinam-se ao utilizador profissional e só podem ser operados, mantidos e reparados por pessoal autorizado, devidamente qualificado. Estas pessoas deverão estar informadas em particular sobre os potenciais perigos. O produto e seu equipamento auxiliar podem representar perigo se usados incorrectamente por pessoas não qualificadas ou se usados para fins diferentes daqueles para os quais foram concebidos.
- O Manual de instruções fornecido corresponde ao actual avanço tecnológico no momento da impressão. Encontra a versão actual sempre online, na página de produtos Hilti. Para o efeito, siga a hiperligação ou o código QR neste Manual de instruções, identificado com o símbolo .
- Entregue o produto a outras pessoas apenas juntamente com o Manual de instruções.

1.2 Explicação dos símbolos

1.2.1 Advertências

As advertências alertam para perigos durante a utilização do produto. São utilizadas as seguintes palavras de aviso:

PERIGO

PERIGO !

- ▶ Indica perigo iminente que pode originar acidentes pessoais graves ou até mesmo fatais.

AVISO

AVISO !

- ▶ Indica um possível perigo que pode causar graves ferimentos pessoais, até mesmo fatais.

CUIDADO

CUIDADO !

- ▶ Indica uma situação potencialmente perigosa que pode originar ferimentos corporais ou danos materiais.

1.2.2 Símbolos na documentação

Nesta documentação são utilizados os seguintes símbolos:

	Leia o manual de instruções antes da utilização
	Instruções de utilização e outras informações úteis
	Manuseamento com materiais recicláveis
	Não deitar as ferramentas eléctricas e baterias no lixo doméstico

1.2.3 Símbolos nas figuras

Em figuras são utilizados os seguintes símbolos:

	Estes números referem-se à respectiva imagem no início deste Manual
	A numeração reproduz uma sequência dos passos de trabalho na imagem e pode divergir dos passos de trabalho no texto



11	Na figura Vista geral são utilizados números de posição que fazem referência aos números da legenda na secção Vista geral do produto
	Este símbolo pretende despertar a sua atenção durante o manuseamento do produto.

1.3 Símbolos dependentes do produto

1.3.1 Símbolos no produto

No produto, podem usar-se os seguintes símbolos:

	Corrente contínua
n_0	Número de cursos em vazio
	A ferramenta suporta a tecnologia NFC que é compatível com plataformas iOS e Android.
Li-Ion	Bateria de iões de lítio
	Série utilizada da bateria de iões de lítio Hilti . Tenha em atenção as indicações no capítulo Utilização conforme a finalidade projectada .
	Nunca utilize a bateria como ferramenta de percussão.
	Não deixe cair a bateria. Não utilize baterias que tenham recebido uma pancada ou que estejam, de outra forma, danificadas.

2 Segurança

2.1 Normas de segurança gerais para ferramentas eléctricas

⚠ AVISO Leia todas as normas de segurança, instruções, imagens e dados técnicos, com os quais esta ferramenta eléctrica está equipada. O não cumprimento das instruções a seguir pode resultar em choque eléctrico, incêndio e/ou ferimentos graves.

Guarde bem todas as normas de segurança e instruções para futura referência.

O termo “ferramenta eléctrica” utilizado nas normas de segurança refere-se a ferramentas com ligação à corrente eléctrica (com cabo de alimentação) ou a ferramentas a bateria (sem cabo).

Segurança no posto de trabalho

- ▶ **Mantenha a sua área de trabalho limpa e bem iluminada.** Locais desarrumados ou mal iluminados podem ocasionar acidentes.
- ▶ **Não utilize a ferramenta eléctrica em ambientes explosivos ou na proximidade de líquidos ou gases inflamáveis.** Ferramentas eléctricas produzem faíscas que podem provocar a ignição de pó e vapores.
- ▶ **Mantenha crianças e terceiros afastados durante os trabalhos.** Distrações podem conduzir à perda de controlo sobre a ferramenta.

Segurança eléctrica

- ▶ **A ficha da ferramenta eléctrica deve servir na tomada. A ficha não deve ser modificada de modo algum. Não utilize quaisquer adaptadores com ferramentas eléctricas com ligação terra.** Fichas originais (não modificadas) e tomadas adequadas reduzem o risco de choque eléctrico.
- ▶ **Evite o contacto do corpo com superfícies ligadas à terra, como, por exemplo, canos, radiadores, fogões e frigoríficos.** Existe um risco elevado de choque eléctrico se o corpo estiver com ligação à terra.
- ▶ **As ferramentas eléctricas não devem ser expostas à chuva nem à humidade.** A infiltração de água numa ferramenta eléctrica aumenta o risco de choque eléctrico.
- ▶ **Não use o cabo de ligação para transportar, pendurar ou desligar a ferramenta eléctrica da tomada. Mantenha o cabo de ligação afastado de calor, óleo, arestas vivas ou partes em movimento.** Cabos de ligação danificados ou emaranhados aumentam o risco de choque eléctrico.
- ▶ **Quando operar uma ferramenta eléctrica ao ar livre, utilize apenas cabos de extensão próprios para utilização no exterior.** A utilização de um cabo de extensão próprio para utilização no exterior reduz o risco de choques eléctricos.



- ▶ **Utilize um disjuntor diferencial se não puder ser evitada a utilização da ferramenta eléctrica em ambiente húmido.** A utilização de um disjuntor diferencial reduz o risco de choque eléctrico.

Segurança física

- ▶ **Esteja alerta, observe o que está a fazer, e tenha prudência ao trabalhar com uma ferramenta eléctrica. Se estiver cansado ou sob influência de drogas, álcool ou medicamentos não efectue nenhum trabalho com ferramentas eléctricas.** Um momento de distração ao operar a ferramenta eléctrica pode causar ferimentos graves.
- ▶ **Use equipamento de segurança. Use sempre óculos de protecção.** Equipamento de segurança, como, por exemplo, máscara antipoeiras, sapatos de segurança antiderrapantes, capacete de segurança ou protecção auricular, de acordo com o tipo e aplicação da ferramenta eléctrica, reduzem o risco de lesões.
- ▶ **Evite um arranque involuntário. Assegure-se de que a ferramenta eléctrica está desligada antes de a ligar à fonte de alimentação e/ou à bateria, pegar nela ou a transportar.** Transportar a ferramenta eléctrica com o dedo no interruptor ou ligar uma ferramenta à tomada com o interruptor ligado (ON) pode resultar em acidentes.
- ▶ **Remova quaisquer chaves de ajuste (chaves de fenda), antes de ligar a ferramenta eléctrica.** Um acessório ou chave deixado preso numa parte rotativa da ferramenta pode causar ferimentos.
- ▶ **Evite posturas corporais desfavoráveis. Mantenha sempre uma posição correcta, em perfeito equilíbrio.** Desta forma será mais fácil manter o controlo sobre a ferramenta eléctrica em situações inesperadas.
- ▶ **Use roupa apropriada. Não use roupa larga ou jóias. Mantenha o cabelo, vestuário e luvas afastados das peças móveis.** Roupas largas, jóias ou cabelos compridos podem ficar presos nas peças móveis.
- ▶ **Se poderem ser montados sistemas de remoção e de recolha de pó, assegure-se de que estes estão ligados e são utilizados correctamente.** A utilização de um sistema de remoção de pó pode reduzir os perigos relacionados com a exposição ao mesmo.
- ▶ **Não se acomode numa falsa sensação de segurança e não ignore os regulamentos de segurança para ferramentas eléctricas, mesmo se estiver familiarizado com a ferramenta eléctrica após numerosas utilizações.** Agir de forma descuidada pode causar ferimentos graves dentro duma fracção de segundo.

Utilização e manuseamento da ferramenta eléctrica

- ▶ **Não sobrecarregue a ferramenta. Use para o seu trabalho a ferramenta eléctrica correcta.** Com a ferramenta eléctrica adequada obterá maior eficiência e segurança se respeitar os seus limites.
- ▶ **Não utilize a ferramenta eléctrica se o interruptor estiver defeituoso.** Uma ferramenta eléctrica que já não possa ser accionada pelo interruptor é perigosa e deve ser reparada.
- ▶ **Retire a ficha da tomada e/ou remova uma bateria amovível antes de efectuar ajustes na ferramenta, substituir acessórios ou guardar a ferramenta.** Esta medida preventiva evita o accionamento acidental da ferramenta eléctrica.
- ▶ **Guarde ferramentas eléctricas não utilizadas fora do alcance das crianças. Não permita que a ferramenta seja utilizada por pessoas não familiarizadas com a mesma ou que não tenham lido estas instruções.** Ferramentas eléctricas operadas por pessoas não treinadas são perigosas.
- ▶ **Faça uma manutenção regular de ferramentas eléctricas e acessórios. Verifique se as partes móveis funcionam perfeitamente e não emperram ou se há peças quebradas ou danificadas que possam influenciar o funcionamento da ferramenta eléctrica. Peças danificadas devem ser reparadas antes da utilização da ferramenta.** Muitos acidentes são causados por ferramentas eléctricas com manutenção deficiente.
- ▶ **Mantenha as ferramentas de corte sempre afiadas e limpas.** Acessórios com gumes afiados tratados correctamente emperram menos e são mais fáceis de controlar.
- ▶ **Utilize a ferramenta eléctrica, acessórios, bits, etc., de acordo com estas instruções. Tome também em consideração as condições de trabalho e o trabalho a ser efectuado.** A utilização da ferramenta eléctrica para outros fins além dos previstos, pode ocasionar situações de perigo.
- ▶ **Mantenha punhos e respectivas superfícies secos, limpos e isentos de óleo e gordura.** Punhos e superfícies afins escorregadios não permitem um manuseamento e controlo seguro da ferramenta eléctrica em situações imprevistas.

Utilização e manuseamento da ferramenta a bateria

- ▶ **Apenas deverá carregar as baterias em carregadores recomendados pelo fabricante.** Num carregador adequado para um determinado tipo de baterias existe perigo de incêndio se for utilizado para outras baterias.
- ▶ **Nas ferramentas eléctricas utilize apenas as baterias previstas.** A utilização de outras baterias pode causar ferimentos e riscos de incêndio.



- ▶ **Quando a bateria não estiver em uso, mantenha-a afastada de outros objectos de metal, como, por exemplo, cliques, moedas, chaves, pregos, parafusos, ou outros pequenos objectos metálicos que possam ligar em ponte os contactos.** Um curto-circuito entre os contactos da bateria pode causar queimaduras ou incêndio.
- ▶ **Utilizações inadequadas podem provocar derrame do líquido da bateria. Evite o contacto com este líquido. No caso de contacto accidental, enxágue imediatamente com água. Se o líquido entrar em contacto com os olhos, procure auxílio médico.** O líquido que escorre da bateria pode provocar irritações ou queimaduras da pele.
- ▶ **Não utilize uma bateria danificada ou modificada.** Baterias danificadas ou modificadas podem ter um comportamento imprevisível e causar fogo, explosão ou risco de ferimentos.
- ▶ **Não exponha uma bateria ao fogo ou a temperaturas excessivas.** Fogo e temperaturas superiores a 130 °C (265 °F) podem provocar uma explosão.
- ▶ **Cumpra todas as instruções sobre o carregamento e nunca carregue a bateria ou a ferramenta a bateria fora da faixa de temperaturas indicada no manual de instruções.** O carregamento errado ou fora da faixa de temperaturas permitida pode destruir a bateria e aumentar o risco de incêndio.

Manutenção

- ▶ **A sua ferramenta eléctrica só deve ser reparada por pessoal qualificado e só devem ser utilizadas peças sobressalentes originais.** Isto assegurará que a segurança da ferramenta se mantenha.
- ▶ **Nunca faça a manutenção de baterias danificadas.** Qualquer manutenção de baterias só deverá ser realizada pelo fabricante ou serviços de assistência técnica autorizados.

2.2 Normas de segurança para serras com lâmina a fazer movimento de vaivém

- ▶ **Segure a ferramenta eléctrica apenas pelas áreas isoladas dos punhos, quando executar trabalhos em que o acessório possa encontrar cabos eléctricos encobertos.** O contacto com um cabo sob tensão também pode colocar partes metálicas da ferramenta sob tensão e causar um choque eléctrico.
- ▶ **Fixe e proteja a ferramenta com sargentos ou de uma outra forma numa base estável.** Se segurar a peça a trabalhar apenas com a mão ou se a segurar contra o seu corpo, esta permanece instável, o que poderá dar origem à perda de controlo.

2.3 Normas de segurança adicionais para serras

Segurança física

- ▶ Não toque as mãos na zona de corte nem na lâmina de serra.
- ▶ Não introduza a mão por baixo da peça a cortar.
- ▶ Coloque-se sempre ao lado da lâmina de serra, fazendo com que a lâmina de serra e o próprio corpo nunca se encontrem na mesma linha. Em caso de contragolpe, a serra pode saltar para trás!
- ▶ Nunca utilize a ferramenta sem o guarda-mão devidamente funcional.
- ▶ Se a lâmina de serra encravar ou se interromper os trabalhos, desligue a serra e mantenha-a parada, até que a lâmina fique imobilizada. Nunca tente retirar a lâmina de serra da peça a cortar ou retroceder com a serra enquanto a mesma está em movimento; caso contrário, pode ocorrer um coice.
- ▶ Se pretender fazer arrancar uma serra dentro do material, centre a lâmina na ranhura de corte e verifique se os dentes não estão encravados na peça a cortar.
- ▶ Tenha particular atenção ao cortar em paredes existentes ou noutras áreas não inspecionáveis. Durante a imersão, a lâmina de serra pode ficar bloqueada em objectos encobertos, causando um coice.
- ▶ Utilize sempre uma lâmina de corte adequadamente comprida. Durante todo o curso, a lâmina de corte deve projectar-se para além da peça a ser trabalhada.
- ▶ Não utilize lâminas de serra embotadas ou danificadas. Elas provocam uma maior fricção, prisão ou contragolpe da lâmina.
- ▶ Fixe-a a um suporte estável. Nunca segure a peça a cortar com as mãos ou sobre as pernas.
- ▶ Trabalhe com força de pressão moderada e com velocidade de corte moderada, especialmente, no caso de diâmetros de tubo grandes. Evita-se, assim, um sobreaquecimento da ferramenta.
- ▶ Antes de iniciar o corte de tubos, certifique-se de que os tubos já não contêm líquidos. Se necessário, esvazie-os.
- ▶ Ao cortar tubos mantenha a ferramenta num plano superior à linha de corte.
 - ▶ A ferramenta não possui qualquer protecção contra a entrada de humidade. A fuga de líquidos pode causar um curto-circuito na ferramenta.
- ▶ Nunca utilize a serra de sabre para serrar materiais desconhecidos e mantenha a área circundante à linha de corte livre de obstáculos.
 - ▶ A lâmina de serra, se embater num objecto, poderá originar um contragolpe sobre a ferramenta.



- ▶ Observe as instruções do fabricante para manuseamento e arrumação das lâminas de serra.

2.4 Normas de segurança adicionais

- ▶ Utilize o produto somente se estiver em perfeitas condições técnicas.
- ▶ Nunca efectue quaisquer manipulações ou modificações na ferramenta.
- ▶ Antes de iniciar os trabalhos, verifique o local de trabalho relativamente a cabos eléctricos encobertos, bem como tubos de gás e água. Partes metálicas externas da ferramenta podem causar um choque eléctrico se, inadvertidamente, danificarem uma linha eléctrica.
- ▶ Ligue o produto apenas quando estiver na posição de trabalho.
- ▶ Durante o processo de trabalho, mantenha a ferramenta afastada do corpo.
- ▶ Também deve usar luvas de protecção durante a substituição de acessórios. Tocar no acessório pode causar ferimentos por corte e queimaduras.
- ▶ Quando não estiver a utilizar a ferramenta, antes da manutenção ou durante a troca de acessórios e durante o transporte é necessário remover a bateria.
- ▶ Active o bloqueio de transporte quando guardar ou transportar a ferramenta.
- ▶ Também deve usar luvas de protecção durante a substituição de acessórios. Tocar no acessório pode causar ferimentos por corte e queimaduras.
- ▶ O utilizador e restantes pessoas que se encontrem na proximidade da ferramenta devem usar óculos de protecção, capacete de segurança, protecção auricular, luvas de protecção e máscara de protecção respiratória.
- ▶ Antes de iniciar os trabalhos, apure a classe de perigo do pó gerado. Utilize um aspirador industrial com protecção aprovada e que esteja de acordo com as regulamentações locais sobre emissão de poeiras nocivas para o ambiente. Pós de materiais, como tinta com chumbo, algumas madeiras, betão/alvenaria/rochas quartzíferas, minerais e metal podem ser nocivos para a saúde.
- ▶ Garanta uma boa ventilação do local de trabalho e, se necessário, use uma máscara de protecção respiratória, adequada para o respectivo pó. O contacto ou a inalação do pó podem provocar reacções alérgicas e/ou doenças das vias respiratórias no utilizador ou em pessoas que se encontrem nas proximidades. Material que contenha amianto só pode ser manuseado por pessoal especializado.
- ▶ Ao utilizar o dispositivo de segurança Hilti, tenha atenção para que este não esteja danificado ou rasgado.
- ▶ Faça pausas para relaxar os músculos e melhorar a circulação sanguínea nas mãos.
- ▶ Não olhe directamente para a luz de trabalho (LED) nem aponte a luz para o rosto de outras pessoas. Existe risco de encandeamento.
- ▶ Os estilhaços podem provocar ferimentos corporais, nomeadamente nos olhos. Use equipamento de protecção individual. Use sempre óculos de protecção e luvas de protecção.
- ▶ Ao realizar trabalhos de perfuração, vede a área que se encontra do lado oposto dos trabalhos.

Segurança eléctrica

- ▶ Segure a ferramenta apenas pelas áreas isoladas dos punhos quando executar trabalhos onde o acessório pode encontrar cabos eléctricos encobertos. O contacto com um cabo sob tensão também pode colocar partes metálicas da ferramenta sob tensão e causar um choque eléctrico.

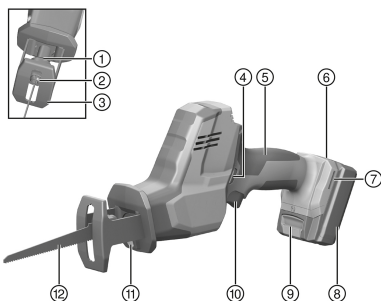
2.5 Utilização e manutenção de baterias

- ▶ Observe as regras específicas sobre transporte, armazenamento e utilização de baterias de íões de lítio.
- ▶ Mantenha as baterias afastadas de temperaturas elevadas, radiação solar directa e fogo.
- ▶ As baterias não devem ser desmanteladas, esmagadas, aquecidas acima dos 80 °C (176 °F) ou incineradas.
- ▶ Não utilize ou carregue quaisquer baterias que tenham sofrido golpes, tenham caído de altura superior a um metro ou tenham sido danificadas de outra forma. Neste caso, contacte sempre o seu **Centro de Assistência Técnica Hilti**.
- ▶ Se a bateria estiver demasiado quente ao toque, poderá estar com defeito. Coloque a bateria num local com boa visibilidade que não constitua risco de incêndio, suficientemente afastado de materiais inflamáveis. Deixe a bateria arrefecer. Se, passado uma hora, a bateria ainda estiver demasiado quente ao toque, então está com defeito. Contacte o **Centro de Assistência Técnica Hilti**.



3 Descrição

3.1 Vista geral do produto



- ① Casquilho de bloqueio da lâmina de serra
- ② Porta-ferramentas da lâmina de serra
- ③ Base de suporte
- ④ Bloqueio de transporte
- ⑤ Punho
- ⑥ Indicação do estado de carga da bateria
- ⑦ Fenda de ambos os lados/ de um lado para fixação do dispositivo de segurança/ gancho de cinto **Hilti**
- ⑧ Bateria
- ⑨ Botão de destravamento da bateria
- ⑩ Interruptor on/off
- ⑪ LED branco para iluminar a área de trabalho
- ⑫ Lâmina de serra

3.2 Utilização conforme a finalidade projectada

O produto descrito é uma serra de sabre a bateria. Foi concebida para cortar madeira, derivados de madeira, metais e também plástico.

O produto foi concebido para utilização com uma mão.

- ▶ Para este produto, utilize apenas as baterias de iões de lítio **Hilti** da série B 12.
- ▶ Para estas baterias, utilize apenas os carregadores **Hilti** da série C4/12.

3.3 Possível uso incorrecto

- ▶ Nunca corte tijolos, betão, betão poroso, pedra natural ou azulejos.
- ▶ Não utilize o produto para cortar tubos que ainda contenham líquidos.
- ▶ Não utilize a serra de sabre para serrar materiais desconhecidos.

3.4 Incluído no fornecimento

Serra de sabre, Manual de instruções.



Poderá encontrar outros produtos de sistema aprovados para o seu produto na sua **Hilti Store** ou em: www.hilti.group

4 Características técnicas

4.1 Características técnicas

	SR 2-A12
Geração de produtos	01
Tensão nominal	10,8 V
Peso	1,8 kg (4,0 lb)
Número de cursos	0 rpm ... 3 000 rpm
Comprimento do curso	16 mm (0,6 in)
Porta-ferramentas Sistema sem chave para lâminas standard	1/2 in



4.2 Bateria

Tensão de serviço da bateria	10,8 V
Temperatura ambiente durante o funcionamento	-17 °C ... 60 °C (1 °F ... 140 °F)
Temperatura de armazenagem	-20 °C ... 40 °C (-4 °F ... 104 °F)
Temperatura da bateria no início do carregamento	-10 °C ... 45 °C (14 °F ... 113 °F)

5 Preparação do local de trabalho**⚠ AVISO****Risco de ferimentos devido a arranque involuntário!**


- ▶ Antes de encaixar a bateria, certifique-se de que o produto correspondente está desligado.
- ▶ Remova a bateria, antes de efectuar ajustes na ferramenta ou substituir acessórios.

Tenha em atenção as instruções de segurança e as advertências nesta documentação e no produto.

5.1 Carregar a bateria


1. Antes de carregar, leia o manual de instruções do carregador.
2. Certifique-se de que os contactos da bateria e do carregador estão limpos e secos.
3. Carregue a bateria num carregador aprovado.

5.2 Retirar a lâmina de serra 2

1. Retire a bateria.  37
2. Active o bloqueio de transporte.
3. Rode o casquilho de bloqueio do porta-ferramentas, no sentido contrário ao dos ponteiros do relógio, e segure-o nesta posição.
4. Retire a lâmina do porta-ferramentas, puxando-a para a frente.
5. Liberte o casquilho de bloqueio.

5.3 Colocar a lâmina de serra 3

Utilize apenas lâminas com encabadouro de 1/2".

1. Retire a bateria.  37
2. Active o bloqueio de transporte.
3. Verifique se o encabadouro do acessório está limpo e ligeiramente lubrificado. Caso necessário, limpe e lubrifique o encabadouro.
4. Rode o casquilho de bloqueio do porta-ferramentas, no sentido contrário ao dos ponteiros do relógio, e segure-o nesta posição.
5. Introduza a lâmina no porta-ferramentas.
6. Liberte o casquilho de bloqueio.
7. Verifique se a lâmina está encaixada, puxando-a.

5.4 Montar o gancho de cinto (opcional) 4**⚠ AVISO**

Risco de ferimentos. Uma ferramenta em queda pode causar acidentes.

- ▶ Antes de iniciar os trabalhos, verifique se o gancho de cinto está realmente fixo.





O gancho de cinto permite-lhe fixar a ferramenta no cinto, encostada ao corpo. O gancho de cinto pode ser montado para utilização do lado direito e do lado esquerdo.

1. Retire a bateria.
2. Insira o gancho de cinto na abertura prevista para o efeito na base do produto.
3. Fixe o gancho de cinto com os 2 parafusos e certifique-se de que as cabeças dos parafusos estão completamente embutidas.

5.5 Colocar a bateria



AVISO

Risco de ferimentos devido a curto-circuito ou queda da bateria!

- ▶ Antes de encaixar a bateria, certifique-se de que os contactos da bateria e os contactos no produto estão livres de corpos estranhos.
 - ▶ Certifique-se de que a bateria engata sempre correctamente.
1. A bateria deve ser completamente carregada antes da primeira utilização.
 2. Insira a bateria no suporte da ferramenta, até engatar de forma audível.
 3. Verifique se a bateria está correctamente encaixada.

5.6 Serrar



AVISO

Risco de ferimentos devido a serra ainda em movimento !

- ▶ Levante o produto da peça a trabalhar somente quando a lâmina estiver parada.
 - ▶ Aguarde até que o produto esteja parado, antes de o pousar.
1. Desactive o bloqueio do interruptor e pressione o interruptor on/off.
 2. Quando tiver terminado de serrar solte o interruptor on/off.
 3. Active o bloqueio de transporte.

5.7 Retirar a bateria

1. Pressione o botão de destravamento e mantenha-o premido.
2. Retire a bateria para a frente, para fora do produto.

6 Conservação e manutenção



AVISO

Risco de lesão com a bateria encaixada !

- ▶ Retire sempre a bateria antes de todos os trabalhos de conservação e manutenção!

Conservação do produto

- Remova sujidade persistente com cuidado.
- Se existente, limpe as saídas de ar cuidadosamente com uma escova seca e macia.
- Limpe a carcaça apenas com um pano ligeiramente húmido. Não utilize produtos de conservação que contenham silicone, uma vez que estes podem danificar os componentes de plástico.
- Utilize um pano limpo e seco, para limpar os contactos do produto.

Conservação das baterias de iões de lítio

- Nunca utilize uma bateria com as saídas de ar obstruídas. Limpe as saídas de ar cuidadosamente com uma escova seca e macia.
- Evite que a bateria seja exposta desnecessariamente a pó ou sujidade. Nunca exponha a bateria a humidade elevada (por ex., mergulhar em água ou deixar à chuva).
Se uma bateria tiver ficado encharcada, trate-a como uma bateria danificada. Isole-a num recipiente não inflamável e contacte o Centro de Assistência Técnica **Hilti**.



- Mantenha a bateria sem resíduos de óleo e massa consistente externos. Não permita que se acumule desnecessariamente pó ou sujidade sobre a bateria. Limpe a bateria com uma escova seca e macia ou um pano limpo e seco. Não utilize produtos de conservação que contenham silicone, uma vez que estes podem danificar os componentes de plástico.
Não toque nos contactos da bateria nem remova dos contactos a massa consistente aplicada de fábrica.
- Limpe a carcaça apenas com um pano ligeiramente húmido. Não utilize produtos de conservação que contenham silicone, uma vez que estes podem danificar os componentes de plástico.

Manutenção

- Verifique, regularmente, todos os componentes visíveis quanto a danos e os comandos operativos quanto a funcionamento perfeito.
- Não opere o produto se existirem danos e/ou perturbações de funcionamento. Mandar reparar o produto imediatamente no Centro de Assistência Técnica **Hilti**.
- Após os trabalhos de conservação e manutenção, aplique todos os dispositivos de protecção e verifique se funcionam correctamente.



Para um funcionamento seguro, utilize apenas peças sobresselentes e consumíveis originais. Poderá encontrar peças sobresselentes, consumíveis e acessórios aprovados pela **Hilti** para o seu produto na sua **Hilti Store** ou em: **www.hilti.group**

7 Transporte e armazenamento

Transporte de ferramentas a bateria e baterias

CUIDADO

Arranque inadvertido durante o transporte !

- ▶ Transporte os seus produtos sempre sem as baterias colocadas!
- ▶ Retire a/as bateria(s).
- ▶ Nunca transporte as baterias sem embalagem. Durante o transporte, as baterias devem ser protegidas contra impactos e vibrações excessivos e isoladas de quaisquer materiais condutores ou outras baterias, para que não entrem em contacto com os pólos de outras baterias e causem um curto-circuito. **Observe as suas normas de transporte locais para baterias.**
- ▶ As baterias não devem ser enviadas por correio. Quando pretender enviar baterias não danificadas, contacte uma empresa transportadora.
- ▶ Verifique o produto e as baterias quanto a danos antes de cada utilização, bem como antes e depois de longos períodos de transporte.

Armazenamento de ferramentas a bateria e baterias

AVISO

Dano accidental devido a baterias com defeito ou a perderem líquido !

- ▶ Armazene os seus produtos sempre sem as baterias colocadas!
- ▶ Guarde o produto e as baterias em lugar fresco e seco. Tenha em atenção os valores limite de temperatura, que estão indicados nas Características técnicas 35.
- ▶ Não guarde as baterias no carregador. Após o processo de carregamento, retire sempre a bateria do carregador.
- ▶ Nunca armazene as baterias em locais sujeitos a exposição solar, em cima de fontes de calor ou por trás de um vidro.
- ▶ Guarde o produto e as baterias fora do alcance das crianças e das pessoas não autorizadas.
- ▶ Verifique o produto e as baterias quanto a danos antes de cada utilização, bem como antes e depois de longos períodos de armazenamento.

8 Ajuda em caso de avarias

No caso de avarias que não sejam mencionadas nesta tabela ou se não conseguir resolvê-las por si mesmo, contacte o nosso Centro de Assistência Técnica **Hilti**.



8.1 A serra de sabre não está pronta a funcionar

Avaria	Causa possível	Solução
A ferramenta não arranca.	A bateria não está completamente encaixada.	▶ Encaixe a bateria com clique.
	Bateria descarregada.	▶ Carregue a bateria.
	Bloqueio de transporte não accionado.	▶ Accione o bloqueio de transporte.
É impossível remover a lâmina de serra do porta-ferramentas.	O casquilho de bloqueio não foi rodado até ao batente.	▶ Rode o casquilho de bloqueio até ao batente e retire a lâmina de serra.

8.2 A serra de sabre está pronta a funcionar

Avaria	Causa possível	Solução
Frac performance da ferramenta.	O interruptor on/off não foi completamente pressionado	▶ Pressione completamente o interruptor on/off.
	Descarregar bateria	▶ Substitua a bateria e carregue a bateria descarregada.
É impossível remover a lâmina de serra do porta-ferramentas.	O casquilho de bloqueio não foi rodado até ao batente.	▶ Rode o casquilho de bloqueio até ao batente e retire a lâmina de serra.

9 Reciclagem

AVISO

Perigo de ferimentos devido a eliminação incorrecta! Riscos para a saúde devido à fuga de gases ou líquidos.

- ▶ Não envie quaisquer baterias danificadas!
- ▶ Para evitar curto-circuitos, cubra as conexões com um material não condutor.
- ▶ Elimine as baterias de modo a mantê-las longe do alcance das crianças.
- ▶ Efectue a reciclagem da bateria na sua **Hilti Store** ou entre em contacto com a empresa de recolha de lixo responsável.

Os produtos **Hilti** são, em grande parte, fabricados com materiais recicláveis. Um pré-requisito para a reciclagem é que esses materiais sejam devidamente separados. Em muitos países, a **Hilti** aceita o seu aparelho usado para reaproveitamento. Para mais informações, dirija-se ao Serviço de Clientes **Hilti** ou ao seu vendedor.



- ▶ Não deite as ferramentas eléctricas, aparelhos electrónicos e baterias no lixo doméstico!

10 Garantia do fabricante

- ▶ Se tiver dúvidas em relação às condições de garantia, contacte o seu parceiro **Hilti** local.





Hilti Corporation
LI-9494 Schaan
Tel.:+423 234 21 11
Fax:+423 234 29 65
www.hilti.com



2208240