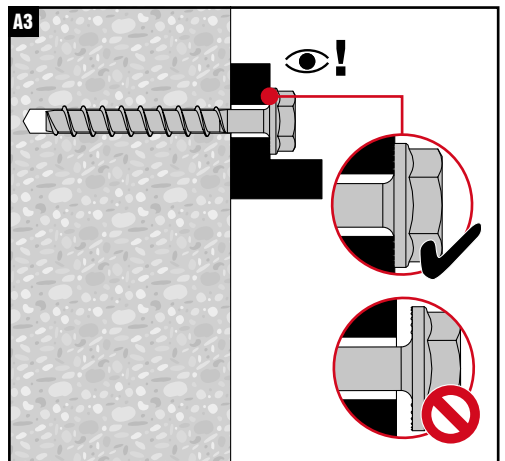
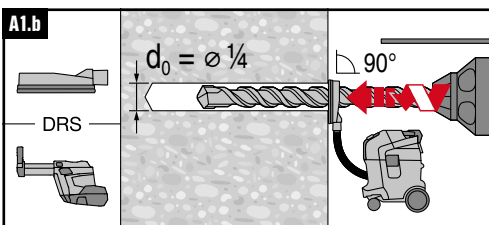
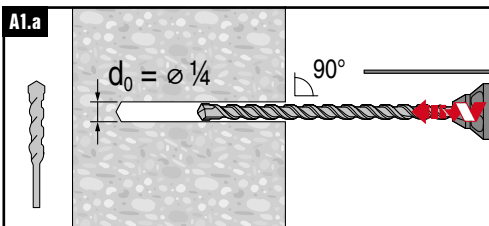
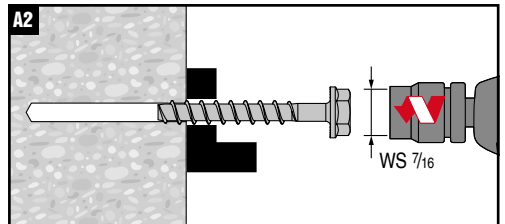
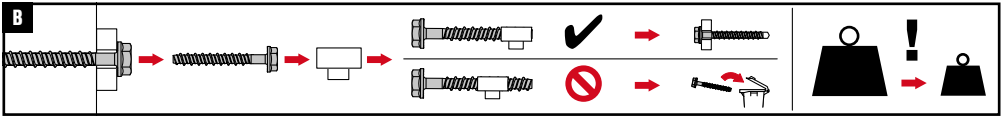


	SID 4 A22	<input checked="" type="checkbox"/>
	SIW 6AT-A22	<input checked="" type="checkbox"/>
		18 ft-lb

KWIK HUS	$h_1^*$	$t_{fix}$
$\frac{1}{4} \times 2\frac{5}{8}$	$3 - t_{fix}$	$0 \dots 1\frac{1}{2}$



\*For non-hole cleaning installation (steps A1.a or A1.b), make sure to drill deep enough to achieve  $h_1$ , taking into account the depth of debris remaining in the hole



<b>&lt; 3000 psi</b>	
SID 4 A22	
SIW 6AT-A22	
	10 ft-lb

<b>≥ 3000 psi</b>	
SID 4 A22	
SIW 6AT-A22	
	10 ft-lb

