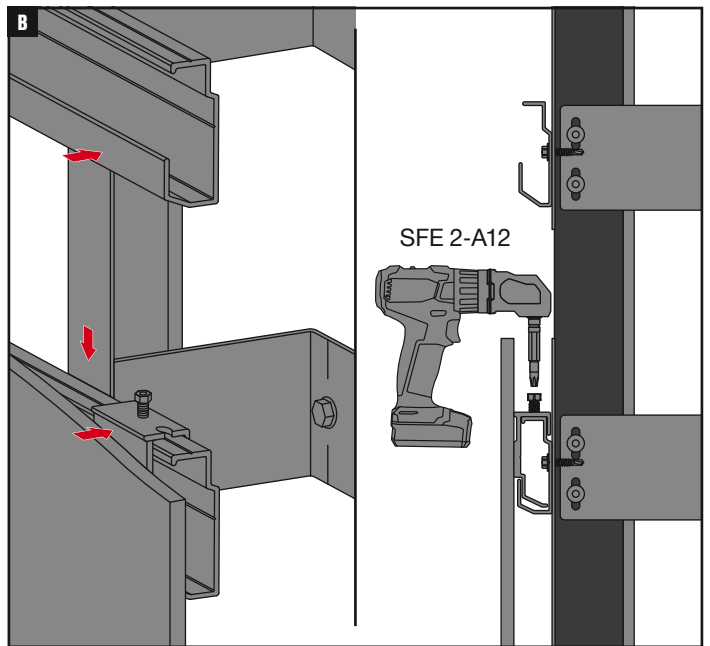
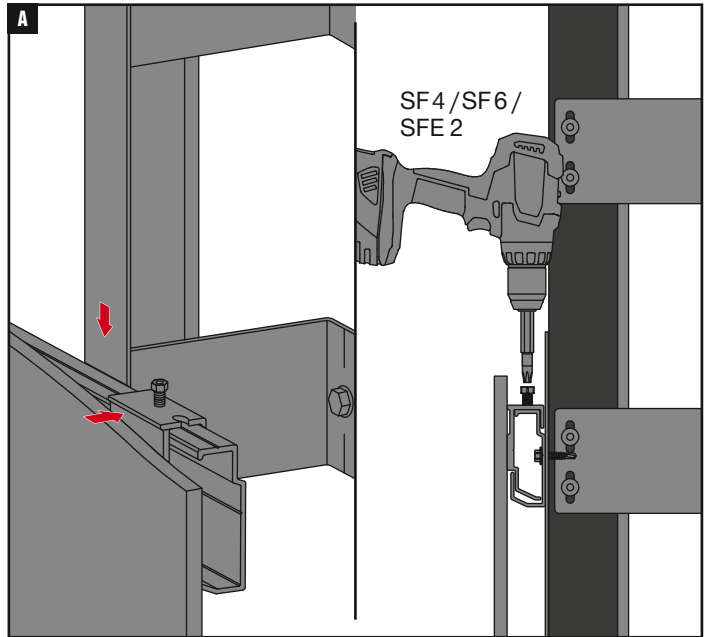
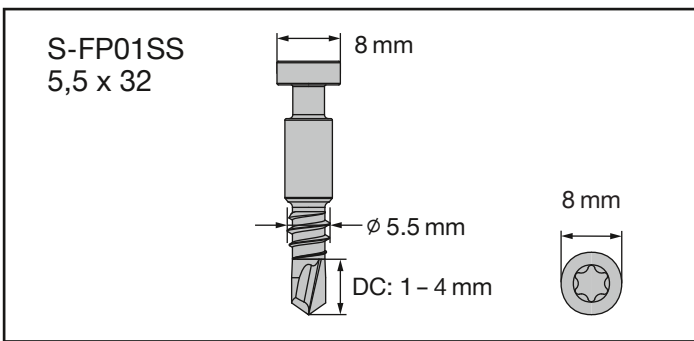
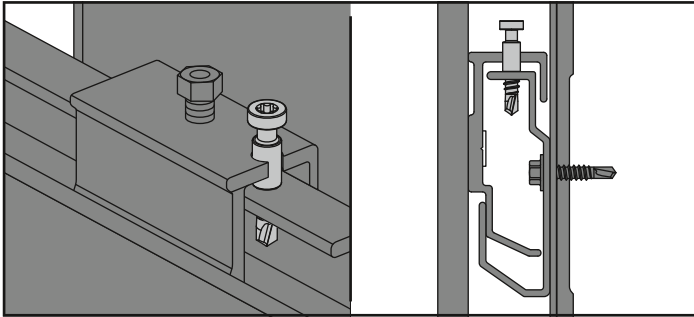




Rostfrei/Inox/Stainless A4



A		SF 4-A22 SF 6-A22
B		SFE 2-A12 Chuck SFE 2-A12 right angle
		S-B TX25 50/2" T-HF
		Chuck SFE 2-A12 Drill Driver
		Chuck SFE 2-A12 Hex

