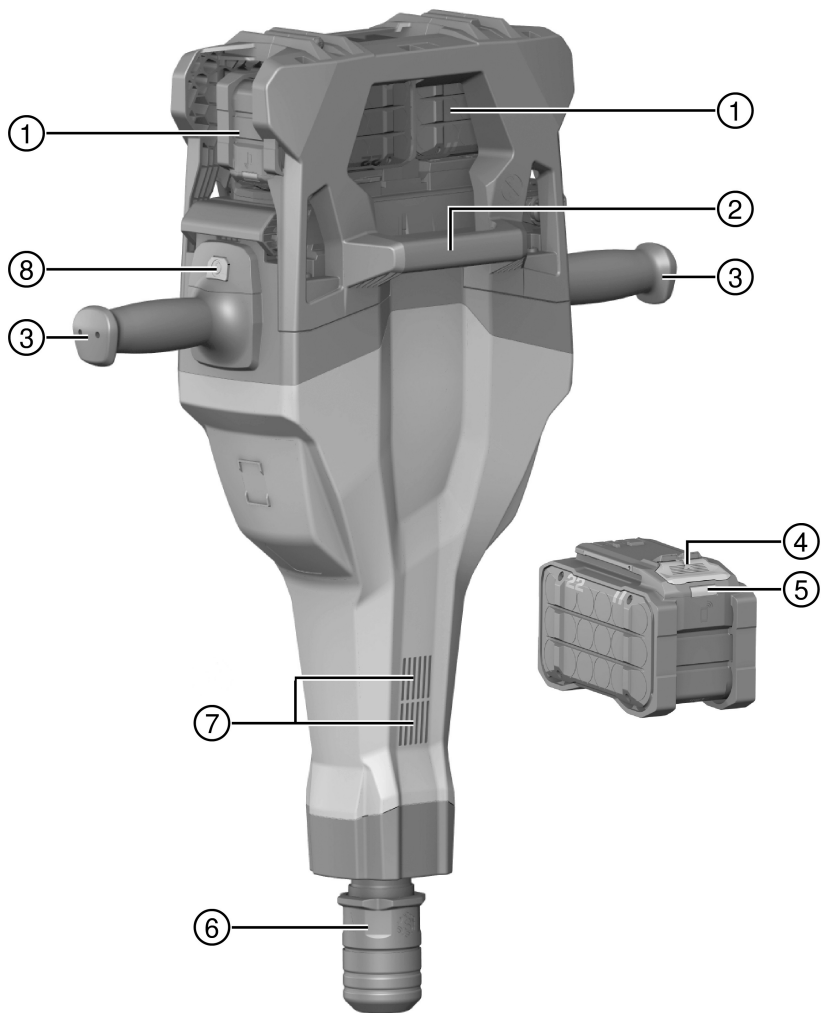


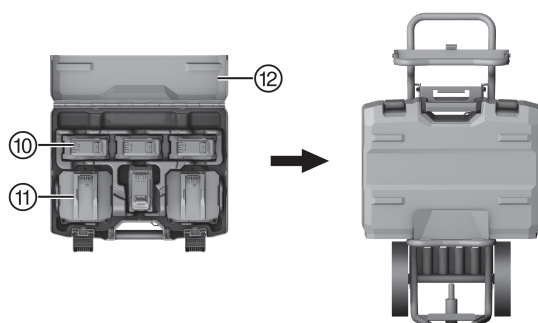
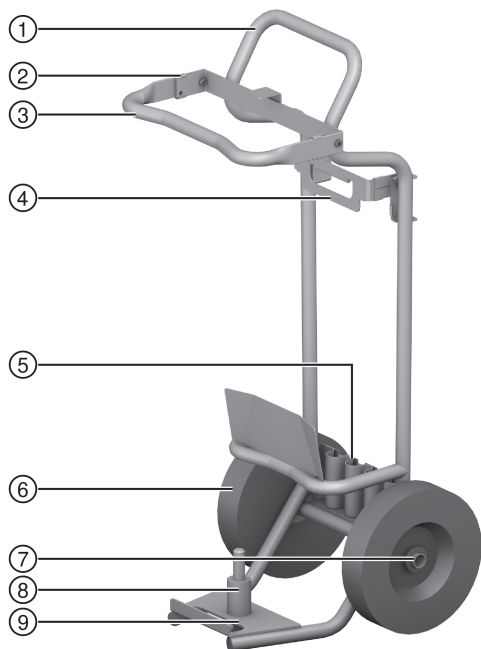


TE 2000-22  
NURON

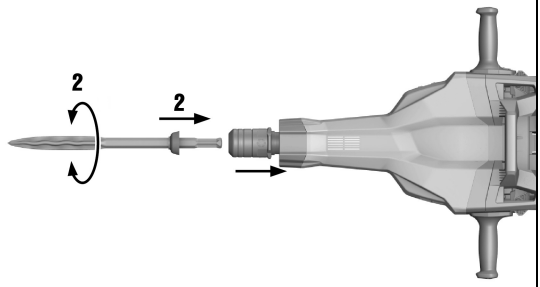
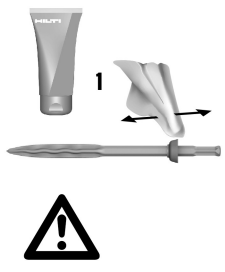
English  
עברית

1  
13

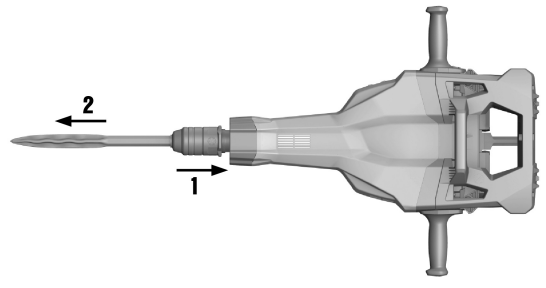




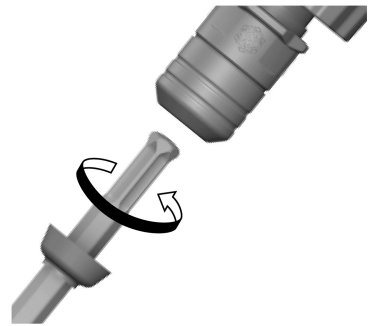
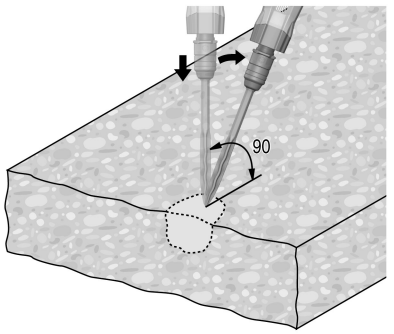
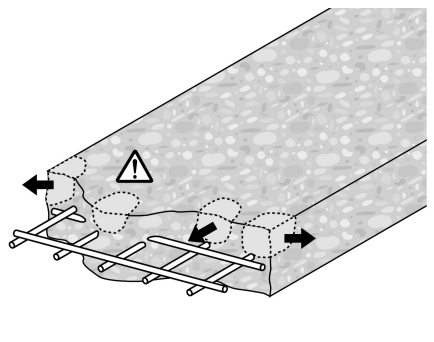
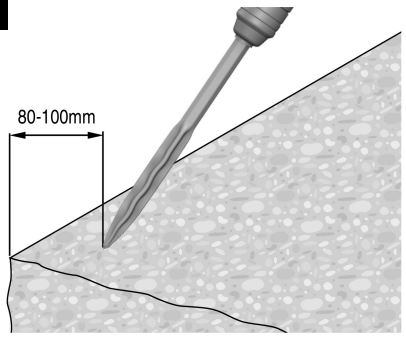
3



4



5



# TE 2000-22

en	Original operating instructions .....	1
he	הוראות הפעלה מקוריות .....	13



# Original operating instructions

## 1 Information about the documentation

### 1.1 About this documentation

- Read this documentation before initial operation or use. This is a prerequisite for safe, trouble-free handling and use of the product.
- Observe the safety instructions and warnings in this documentation and on the product.
- Always keep the operating instructions with the product and make sure that the operating instructions are with the product when it is given to other persons.

### 1.2 Explanation of symbols

#### 1.2.1 Warnings

Warnings alert persons to hazards that occur when handling or using the product. The following signal words are used:

#### DANGER

##### DANGER !

- ▶ Draws attention to imminent danger that will lead to serious personal injury or fatality.

#### WARNING

##### WARNING !

- ▶ Draws attention to a potential threat of danger that can lead to serious injury or fatality.

#### CAUTION

##### CAUTION !

- ▶ Draws attention to a potentially dangerous situation that could lead to personal injury or damage to the equipment or other property.

#### 1.2.2 Symbols in the operating instructions

The following symbols are used in these operating instructions:

	Comply with the operating instructions
	Instructions for use and other useful information
	Dealing with recyclable materials
	Do not dispose of electric equipment and batteries as household waste
	<b>Hilti</b> Li-ion battery
	<b>Hilti</b> charger

#### 1.2.3 Symbols in illustrations

The following symbols are used in illustrations:

<b>2</b>	These numbers refer to the illustrations at the beginning of these operating instructions.
3	The numbering reflects the sequence of operations shown in the illustrations and may deviate from the steps described in the text.
<b>11</b>	Item reference numbers are used in the <b>overview illustration</b> and refer to the numbers used in the key in the <b>product overview</b> section.
	These characters are intended to specifically draw your attention to certain points when handling the product.



### 1.3 Product-dependent symbols

#### 1.3.1 Symbols on the product

The following symbols can be used on the product:

	Transport by crane is not permissible
	The product supports near-field communication (NFC) technology compatible with iOS and Android platforms.
Li-Ion	Li-ion battery
	Never use the battery as a striking tool.
	Do not drop the battery. Never use a battery that has suffered an impact or is damaged in any other way.

### 1.4 Product information

products are designed for professional users and only trained, authorized personnel are permitted to operate, service and maintain the products. This personnel must be specifically informed about the possible hazards. The product and its ancillary equipment can present hazards if used incorrectly by untrained personnel or if used not in accordance with the intended use.

The type designation and serial number are printed on the rating plate.

- ▶ Write down the serial number in the table below. You will be required to state the product details when contacting Hilti Service or your local Hilti organization to inquire about the product.

#### Product information

Breaker	TE 2000-22
Generation	01
Serial no.	

### 1.5 Declaration of conformity

The manufacturer declares, on his sole responsibility, that the product described here complies with the applicable legislation and standards. A copy of the declaration of conformity can be found at the end of this documentation.

The technical documentation is filed here:

Hilti Entwicklungsgesellschaft mbH | Tool Certification | Hiltistrasse 6 | D-86916 Kaufering, Germany

## 2 Safety

### 2.1 General power tool safety warnings

**⚠ WARNING Read all safety warnings, instructions, illustrations and specifications provided with this power tool.** Failure to follow all instructions listed below may result in electric shock, fire and/or serious injury. **Save all warnings and instructions for future reference.**

The term "power tool" in the warnings refers to your mains-operated (corded) power tool or battery-operated (cordless) power tool.

#### Work area safety

- ▶ **Keep work area clean and well lit.** Cluttered or dark areas invite accidents.
- ▶ **Do not operate power tools in explosive atmospheres, such as in the presence of flammable liquids, gases or dust.** Power tools create sparks which may ignite the dust or fumes.
- ▶ **Keep children and bystanders away while operating a power tool.** Distractions can cause you to lose control.

#### Electrical safety

- ▶ **Power tool plugs must match the outlet. Never modify the plug in any way. Do not use any adapter plugs with earthed (grounded) power tools.** Unmodified plugs and matching outlets will reduce risk of electric shock.





- ▶ **Avoid body contact with earthed or grounded surfaces, such as pipes, radiators, ranges and refrigerators.** There is an increased risk of electric shock if your body is earthed or grounded.
- ▶ **Do not expose power tools to rain or wet conditions.** Water entering a power tool will increase the risk of electric shock.
- ▶ **Do not abuse the cord. Never use the cord for carrying, pulling or unplugging the power tool. Keep cord away from heat, oil, sharp edges or moving parts.** Damaged or entangled cords increase the risk of electric shock.
- ▶ **When operating a power tool outdoors, use an extension cord suitable for outdoor use.** Use of a cord suitable for outdoor use reduces the risk of electric shock.
- ▶ **If operating a power tool in a damp location is unavoidable, use a residual current device (RCD) protected supply.** Use of an RCD reduces the risk of electric shock.

#### Personal safety

- ▶ **Stay alert, watch what you are doing and use common sense when operating a power tool. Do not use a power tool while you are tired or under the influence of drugs, alcohol or medication.** A moment of inattention while operating power tools may result in serious personal injury.
- ▶ **Use personal protective equipment. Always wear eye protection.** Protective equipment such as a dust mask, non-skid safety shoes, hard hat or hearing protection used for appropriate conditions will reduce personal injuries.
- ▶ **Prevent unintentional starting. Ensure the switch is in the off-position before connecting to power source and/or battery pack, picking up or carrying the tool.** Carrying power tools with your finger on the switch or energising power tools that have the switch on invites accidents.
- ▶ **Remove any adjusting key or wrench before turning the power tool on.** A wrench or a key left attached to a rotating part of the power tool may result in personal injury.
- ▶ **Do not overreach. Keep proper footing and balance at all times.** This enables better control of the power tool in unexpected situations.
- ▶ **Dress properly. Do not wear loose clothing or jewellery. Keep your hair and clothing away from moving parts.** Loose clothes, jewellery or long hair can be caught in moving parts.
- ▶ **If devices are provided for the connection of dust extraction and collection facilities, ensure these are connected and properly used.** Use of dust collection can reduce dust-related hazards.
- ▶ **Do not let familiarity gained from frequent use of tools allow you to become complacent and ignore tool safety principles.** A careless action can cause severe injury within a fraction of a second.

#### Power tool use and care

- ▶ **Do not force the power tool. Use the correct power tool for your application.** The correct power tool will do the job better and safer at the rate for which it was designed.
- ▶ **Do not use the power tool if the switch does not turn it on and off.** Any power tool that cannot be controlled with the switch is dangerous and must be repaired.
- ▶ **Disconnect the plug from the power source and/or remove the battery pack, if detachable, from the power tool before making any adjustments, changing accessories, or storing power tools.** Such preventive safety measures reduce the risk of starting the power tool accidentally.
- ▶ **Store idle power tools out of the reach of children and do not allow persons unfamiliar with the power tool or these instructions to operate the power tool.** Power tools are dangerous in the hands of untrained users.
- ▶ **Maintain power tools and accessories. Check for misalignment or binding of moving parts, breakage of parts and any other condition that may affect the power tool's operation. If damaged, have the power tool repaired before use.** Many accidents are caused by poorly maintained power tools.
- ▶ **Keep cutting tools sharp and clean.** Properly maintained cutting tools with sharp cutting edges are less likely to bind and are easier to control.
- ▶ **Use the power tool, accessories and tool bits etc. in accordance with these instructions, taking into account the working conditions and the work to be performed.** Use of the power tool for operations different from those intended could result in a hazardous situation.
- ▶ **Keep handles and grasping surfaces dry, clean and free from oil and grease.** Slippery handles and grasping surfaces do not allow for safe handling and control of the tool in unexpected situations.

#### Battery tool use and care

- ▶ **Recharge only with the charger specified by the manufacturer.** A charger that is suitable for one type of battery pack may create a risk of fire when used with another battery pack.
- ▶ **Use power tools only with specifically designated battery packs.** Use of any other battery packs may create a risk of injury and fire.



- ▶ **When battery pack is not in use, keep it away from other metal objects, like paper clips, coins, keys, nails, screws or other small metal objects, that can make a connection from one terminal to another.** Shorting the battery terminals together may cause burns or a fire.
- ▶ **Under abusive conditions, liquid may be ejected from the battery; avoid contact. If contact accidentally occurs, flush with water. If liquid contacts eyes, additionally seek medical help.** Liquid ejected from the battery may cause irritation or burns.
- ▶ **Do not use a battery pack or tool that is damaged or modified.** Damaged or modified batteries may exhibit unpredictable behaviour resulting in fire, explosion or risk of injury.
- ▶ **Do not expose a battery pack or tool to fire or excessive temperature.** Exposure to fire or temperature above 130° C (265 °F) may cause explosion.
- ▶ **Follow all charging instructions and do not charge the battery pack or tool outside the temperature range specified in the instructions.** Charging improperly or at temperatures outside the specified range may damage the battery and increase the risk of fire.

#### Service

- ▶ **Have your power tool serviced by a qualified repair person using only identical replacement parts.** This will ensure that the safety of the power tool is maintained.
- ▶ **Never service damaged battery packs.** Service of battery packs should only be performed by the manufacturer or authorized service providers.

## 2.2 Hammer safety warnings

### Safety instructions for all operations

- ▶ **Wear ear protectors.** Exposure to noise can cause hearing loss.
- ▶ **Use auxiliary handle(s), if supplied with the tool.** Loss of control can cause personal injury.
- ▶ **Hold the power tool by insulated gripping surfaces, when performing an operation where the cutting accessory may contact hidden wiring.** Cutting accessory contacting a "live" wire may make exposed metal parts of the power tool "live" and could give the operator an electric shock.

## 2.3 Additional safety instructions for breakers

### Personal safety

- ▶ Use the product and accessories only when they are in perfect working order.
- ▶ Never tamper with or modify the product or accessories in any way.
- ▶ Whenever possible, use the transport trolley or other means of transport. The product should always be carried by two persons if no transport trolley or means of transport is available for use. Bear in mind that product plus transport trolley are of considerable weight.
- ▶ When chiseling into ceilings, walls and floors, always make sure that you have a safe and firm stance. A sudden break-through can affect your balance!
- ▶ Apply appropriate safety measures at the opposite side of the workpiece in work that involves breaking through. Parts breaking away could fall out and / or fall down causing injury to other persons.
- ▶ You and any other persons in the vicinity must wear eye protection, a hard hat, ear protection, protective gloves and light respiratory protection while the product is in use.
- ▶ Dust produced by grinding, sanding, cutting and drilling can contain dangerous chemicals. Some examples are: lead or lead-based paints; brick, concrete and other masonry products, natural stone and other products containing silicates; certain types of wood, such as oak, beech and chemically treated wood; asbestos or materials that contain asbestos. Determine the exposure of the operator and bystanders by means of the hazard classification of the materials to be worked. Implement the necessary measures to restrict exposure to a safe level, for example by the use of a dust collection system or by the wearing of suitable respiratory protection. The general measures for reducing exposure include:
  - ▶ working in an area that is well ventilated,
  - ▶ avoidance of prolonged contact with dust,
  - ▶ directing dust away from the face and body,
  - ▶ wearing protective clothing and washing exposed areas of the skin with water and soap.
- ▶ Wear protective gloves when changing the accessory tool. Touching the accessory tool can result in cuts and burns.
- ▶ Risk of injury by falling tools and/or accessories. Before starting work, check that the battery and installed accessories are secure.
- ▶ Keep the air vents clear at all times. Risk of burn injuries due to blocked air vents!
- ▶ Wear eye protection. Flying fragments present a risk of injury to the body and eyes.



- ▶ Take frequent breaks and do physical exercises to improve the blood circulation in your fingers. High vibration during long periods of work can lead to disorders of the blood vessels and nervous system in the fingers, hands and wrists.
- ▶ Make sure that the product always stands in a steady, secure position. Always set the product on a level, sturdy, vibration-free and shock-free flat.

### Electrical safety

- ▶ Before beginning work, check the working area for concealed electric cables or gas and water pipes. External metal parts of the product could give you an electric shock or cause an explosion if you accidentally damage an electric cable or a gas or water pipe.

### Power tool use and care

- ▶ Wait until the power tool stops completely before you lay it down.
- ▶ Switch the product on only after bringing it to the working position.

## 2.4 Battery use and care

- ▶ **Comply with the following safety instructions for the safe handling and use of Li-ion batteries.** Failure to comply can lead to skin irritation, severe corrosive injury, chemical burns, fire and/or explosion.
- ▶ Use only batteries that are in perfect working order.
- ▶ Treat batteries with care in order to avoid damage and prevent leakage of fluids that are extremely harmful to health!
- ▶ Do not under any circumstances modify or tamper with batteries!
- ▶ Do not disassemble, crush or incinerate batteries and do not subject them to temperatures over 80 °C (176 °F).
- ▶ Never use or charge a battery that has suffered an impact or been damaged in any other way. Check your batteries regularly for signs of damage.
- ▶ Never use recycled or repaired batteries.
- ▶ Never use the battery or a battery-operated power tool as a striking tool.
- ▶ Never expose batteries to the direct rays of the sun, elevated temperature, sparking, or open flame. This can lead to explosions.
- ▶ Do not touch the battery poles with your fingers, tools, jewelry, or other electrically conductive objects. This can damage the battery and also cause material damage and personal injury.
- ▶ Keep batteries away from rain, moisture and liquids. Penetrating moisture can cause short circuits, electric shock, burns, fire and explosions.
- ▶ Use only chargers and power tools approved for the specific battery type. Read and follow the relevant operating instructions.
- ▶ Do not use or store the battery in explosive environments.
- ▶ If the battery is too hot to touch, it may be defective. Put the battery in a place where it is clearly visible and where there is no risk of fire, at an adequate distance from flammable materials. Allow the battery to cool down. If it is still too hot to touch after an hour, the battery is faulty. Consult **Hilti** Service or read the document entitled "Instructions on safety and use for **Hilti** Li-ion batteries".



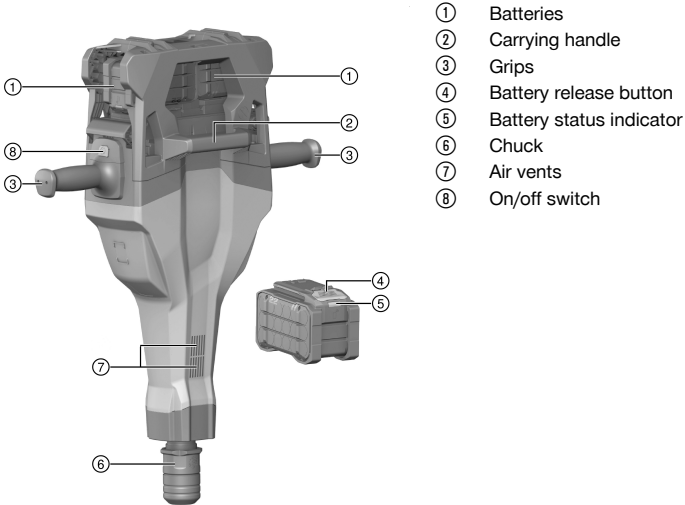
Observe the special guidelines applicable to the transport, storage and use of lithium-ion batteries.  
→ page 11

Read the instructions on safety and use of **Hilti** Li-ion batteries that you can access by scanning the QR code at the end of these operating instructions.



### 3 Description

#### 3.1 Product overview 1



- ① Batteries
- ② Carrying handle
- ③ Grips
- ④ Battery release button
- ⑤ Battery status indicator
- ⑥ Chuck
- ⑦ Air vents
- ⑧ On/off switch

#### 3.2 Overview of transport trolley and case B22/C (XL) (optional) 2

- ① Grip
- ② Load retainer
- ③ Locking bar
- ④ Lock for battery case B22/C (XL)
- ⑤ Holder for accessory tools (chisels)
- ⑥ Wheels
- ⑦ Wheel securing parts (washer, retaining pin)
- ⑧ Power tool locating pin
- ⑨ Carrying handle
- ⑩ Battery
- ⑪ Charger
- ⑫ Case B22/C (XL)

#### 3.3 Intended use

The product described is a hand-held cordless breaker. It is designed for chiseling work on concrete, masonry and asphalt. It can also be used for excavating and compacting.

Use the product only in the downward working direction, toward the floor.

- For this product, use only **Hilti** Nuron lithium-ion batteries of the B 22 series. For optimum performance, **Hilti** recommends the batteries stated in the table at the end of these operating instructions for this product.
- For these batteries, use only **Hilti** chargers of the type series stated in the table at the end of these operating instructions.

#### 3.4 Misuse

- Use of the product in a damp or wet environment is not permissible.
- Do not use the product where there is a risk of fire and explosion.
- Working with materials hazardous to health (e.g. asbestos) is not permissible.
- Do not transport the product by crane.
- Do not work off a ladder.
- Do not use the product in a horizontal working direction, toward the wall.
- Do not use a tool tether.



### 3.5 Active Vibration Reduction

The tool is equipped with an Active Vibration Reduction (AVR) system which reduces vibration noticeably.

### 3.6 Items supplied

Cordless breaker, operating instructions, grease

The transport trolley and the case for batteries and charger are available as accessories.

Other system products approved for use with this product can be found at your local **Hilti Store** or at: [www.hilti.group](http://www.hilti.group)

### 3.7 Status indicators of the Li-ion battery

Hilti Nuron Li-ion batteries can indicate state of charge, fault messages and the battery's state of health.

#### 3.7.1 Indicators for state of charge and fault messages

#### WARNING

##### Risk of injury by a falling battery!

- ▶ If the release button is pressed with a battery inserted in the product, subsequently check that the battery is correctly re-engaged and secure.

Short-press the release button of the battery to get whichever of the following status indications is applicable at the time.

State of charge and, if applicable, faults are indicated constantly as long as the connected product is switched on.

Status	Meaning
Four (4) LEDs show constantly green	State of charge: 100 % to 71 %
Three (3) LEDs show constantly green	State of charge: 70 % to 51 %
Two (2) LEDs show constantly green	State of charge: 50 % to 26 %
One (1) LED shows constantly green	State of charge: 25 % to 10 %
One (1) LED slow-flashes green	State of charge: < 10 %
One (1) LED quick-flashes green	The Li-ion battery is completely discharged. Recharge the battery. If the LED again starts quick-flashing after the battery has been charged, consult <b>Hilti Service</b> .
One (1) LED quick-flashes yellow	The Li-ion battery or the product in which it is inserted is overloaded, too hot or too cold, or experiencing some other fault. Bring the product and the battery to the recommended working temperature and do not overload the product when it is in use. If the message persists, consult <b>Hilti Service</b> .
One (1) LED shows yellow	The Li-ion battery and the product in which it is inserted are not compatible. Consult <b>Hilti Service</b> .
One (1) LED quick-flashes red	The Li-ion battery is locked and cannot be used. Consult <b>Hilti Service</b> .

#### 3.7.2 Indicators showing the battery's state of health

To check the battery's state of health, press the release button and hold it down for longer than three seconds. The system does not detect a potential malfunction of the battery due to misuse, for example battery dropped or pierced, external heat damage, etc.

Status	Meaning
All LEDs show in sequence, followed by one (1) LED showing constantly green.	The battery can remain in use.
All LEDs show in sequence, followed by one (1) LED quick-flashing yellow.	The check to ascertain the battery's state of health did not complete. Repeat the procedure, or consult <b>Hilti Service</b> .



Status	Meaning
All LEDs show in sequence, followed by one (1) LED showing constantly red.	If a connected product can still be used, the remaining battery capacity is below 50 %. If a connected product can no longer be used, the battery has reached the end of its useful life and has to be replaced. Consult <b>Hilti Service</b> .

## 4 Cordless breaker

	TE 2000-22
Weight in accordance with EPTA Procedure 01, without battery	17.4 kg
Single impact energy (EPTA-Procedure 05)	38.2 J
Ambient temperature for operation	-17 °C ... 60 °C
Storage temperature	-20 °C ... 70 °C

### 4.1 Battery

Battery operating voltage	21.6 V
Weight, battery	See the end of these operating instructions
Ambient temperature for operation	-17 °C ... 60 °C
Storage temperature	-20 °C ... 40 °C
Battery charging starting temperature	-10 °C ... 45 °C

### 4.2 Noise information and vibration values in accordance with EN 62841

The sound pressure and vibration values given in these instructions were measured in accordance with a standardized test and can be used to compare one power tool with another. They can also be used for a preliminary assessment of exposure.

The data given represent the main applications of the power tool. However, if the power tool is used for different applications, with different accessory tools, or is poorly maintained, the data can vary. This can significantly increase exposure over the total working period.

An accurate estimation of exposure should also take into account the times when the tool is switched off, or when it is running but not actually being used for a job. This can significantly reduce exposure over the total working period.

Identify additional safety measures to protect the operator from the effects of noise and/or vibration, for example: maintaining the power tool and accessory tools, keeping the hands warm, organization of work patterns.

#### Noise information

Measured sound power level ( $L_{WA}$ )	98 dB(A)
Uncertainty for the sound power level ( $K_{WA}$ )	3 dB(A)
Emission sound pressure level ( $L_{pA}$ )	87 dB(A)
Uncertainty for the sound pressure level ( $K_{pA}$ )	3 dB(A)

#### Total vibration

Chiseling ( $a_{h, Chisq}$ )	B 22-170	3.8 m/s <sup>2</sup>
	B 22-255	3.8 m/s <sup>2</sup>
Uncertainty (K)		1.5 m/s <sup>2</sup>

## 5 Preparations at the workplace

### WARNING

#### Risk of injury by inadvertent starting!

- ▶ Before inserting the batteries, make sure that the product is switched off.
- ▶ Remove the batteries before making adjustments and before changing accessories.



Observe the safety instructions and warnings in this documentation and on the product.

### 5.1 Charging the batteries

1. Before charging the battery, read the operating instructions for the charger.
2. Make sure that the contacts on the battery and the contacts on the charger are clean and dry.
3. Use an approved charger to charge the battery. → page 6

### 5.2 Inserting batteries

#### WARNING

#### **Risk of injury by short circuit or falling battery!**

- ▶ Before inserting the batteries, make sure that the contacts on the batteries and the contacts on the product are free of foreign matter.
- ▶ Make sure that the batteries always engage correctly.

1. Charge the batteries fully before using them for the first time.
2. Push the batteries into the product until they engage with an audible click.
3. Check that the batteries are seated securely.

### 5.3 Removing the battery

1. Press the battery release button.
2. Remove the battery from the product.

## 6 Operation

Observe the safety instructions and warnings in this documentation and on the product.

### 6.1 Inserting the accessory tool

1. Lightly grease the connection end of the accessory tool.



The use of unsuitable grease can cause damage to the product. **Use only genuine Hilti grease.**

2. Push the accessory tool into the chuck as far as it will go, turning it and applying light pressure until it engages with an audible click.
3. Check that the chisel has engaged correctly by gripping and pulling it.

### 6.2 Removing the accessory tool

#### CAUTION

**Risk of injury!** The accessory tool may be hot and/or have sharp edges.

- ▶ Wear protective gloves when changing the accessory tool.
- ▶ Never lay down a hot accessory tool on a flammable surface.

1. Pull the accessory tool retaining bar back as far as it will go.
2. Remove the accessory tool.

### 6.3 Operation

Observe the safety instructions and warnings in this documentation and on the product.

Full approval must be obtained from the site engineer or architect prior to beginning the work.

#### 6.3.1 Chiseling

1. Position the tip of the chisel at the desired location.



## 2. Press the on/off switch.

---



Working at low temperatures:

The hammering mechanism works only when the product has reached a minimum operating temperature. Briefly position the product on the surface to be worked and run the product under no load until the required temperature is reached. If necessary, repeat this procedure until the hammering mechanism begins to operate.

---

### 6.3.2 Switching off

- ▶ Press the on/off switch.

### 6.3.3 Working with the power tool

---



The chisel can be adjusted to 6 different positions (in 60° increments). This ensures that flat chisels and shaped chisels can always be set to the optimum working position.

---

- ▶ Bring the chisel into contact with the workpiece about 80 -100 mm (3 1/8" - 4") from its edge.
- ▶ When working close to reinforcing bars, always guide the chisel toward the edge of the workpiece, not toward a reinforcing bar.
- ▶ Start with the chisel held at an angle of 90 ° to the concrete surface and face the chisel toward the edge of the workpiece. Then change the angle to 70 ° to 80 ° and chisel the material away.
- ▶ Rotate the chisel regularly to help ensure even wear and to promote the self-sharpening process.
- ▶ If inadequate pressure is applied, the chisel will jump around uncontrollably. Application of excessive pressure will result in a loss of chiseling performance.

## 7 Transport trolley and case B22/C (XL)

---

### 7.1 Transport

The transport trolley helps to ensure that the breaker can be transported safely.

Case B22/C (XL) ensures safe transport of charger and battery.

- Take care to ensure that the transport trolley stands in a steady, secure position.
- Place the product on the locating pin provided on the transport trolley and always secure it for transport by engaging the retainer.
- Place the case B22/C (XL) on the transport trolley and secure it with the lock.
- Take care to use only safe transport routes.
- Do not park the transport trolley on an incline.
- Do not crane-lift the transport trolley and case B22/C (XL).
- Push the chisels into the holders provided until they engage securely.
- Take care to use only safe transport routes.
- Do not park the transport trolley on an incline.
- Do not crane-lift the transport trolley and case B22/C (XL).

## 8 Care and maintenance

---



### WARNING

**Risk of injury with batteries inserted !**

- ▶ Always remove the batteries before carrying out care and maintenance tasks!
- 

### Care of the product

- Carefully remove stubborn dirt.
- Carefully clean the ventilation slots, if present, with a dry brush.
- Use only a slightly damp cloth to clean the casing. Do not use cleaning agents containing silicone as these can attack the plastic parts.





### Care of the Li-ion batteries

- Never use a battery with clogged ventilation slots. Clean the ventilation slots carefully using a dry, soft brush.
- Avoid unnecessary exposure of the battery to dust and dirt. Never expose the battery to high levels of moisture (e.g. by being dipped in water or left in the rain).  
If a battery has been soaked by moisture, treat it as a damaged battery. Isolate it in a non-flammable container and consult **Hilti Service**.
- Keep the battery free of oil and grease. Do not permit dust or dirt to accumulate unnecessarily on the battery. Clean the battery with a dry, soft brush or a clean, dry rag.  
Do not use cleaning agents containing silicone as these can attack the plastic parts.
- Use only a slightly damp cloth to clean the casing. Do not use cleaning agents containing silicone as these can attack the plastic parts.

### Maintenance

- Check all visible parts and controls for signs of damage at regular intervals and make sure that they all function correctly.
- Do not operate the product if signs of damage are found or if parts malfunction. Have it repaired immediately by **Hilti Service**.
- After cleaning and maintenance, fit all guards or protective devices and check that they function correctly.



To help ensure safe and reliable operation, use only genuine Hilti spare parts and consumables. Spare parts, consumables and accessories approved by Hilti for use with the product can be found at your local **Hilti Store** or online at: [www.hilti.group](http://www.hilti.group).

## 9 Transport and storage of cordless tools and batteries

### Transport

#### CAUTION

#### Accidental starting during transport !

- ▶ Always transport your products with the batteries removed!
- ▶ Remove the battery/batteries.
- ▶ Never transport batteries loose and unprotected. During transport, batteries should be protected from excessive shock and vibration and isolated from any conductive materials or other batteries that may come in contact with the terminals and cause a short circuit. **Comply with the locally applicable regulations for transporting batteries.**
- ▶ Do not send batteries through the mail. Consult your shipper for instructions on how to ship undamaged batteries.
- ▶ Prior to each use and before and after prolonged transport, check the product and the batteries for damage.

### Storage

#### WARNING

#### Accidental damage caused by defective or leaking batteries !

- ▶ Always store your products with the batteries removed!
- ▶ Store the product and the batteries in a cool and dry place. Comply with the temperature limits stated in the technical data.
- ▶ Do not store batteries on the charger. Always remove the battery from the charger when the charging operation has completed.
- ▶ Never leave batteries in direct sunlight, on sources of heat, or behind glass.
- ▶ Store the product and batteries where they cannot be accessed by children or unauthorized persons.
- ▶ Prior to each use and before and after prolonged storage, check the product and the batteries for damage.

## 10 Troubleshooting

If a problem occurs, always observe the charge-status and fault indicator of the battery. See the section headed **Status indicators of the Li-ion battery**.

If the trouble you are experiencing is not listed in this table or you are unable to rectify the problem by yourself, contact **Hilti Service**.



Trouble or fault	Possible cause	Action to be taken
The battery does not engage with an audible click.	Retaining lug on battery or tool interface dirty.	▶ Clean the retaining lugs and re-insert the batteries.
The battery runs down more quickly than usual.	Battery state of health is not optimal.	▶ Call up the battery's state of health. → page 7
Product does not start.	Only one charged battery inserted.	▶ Insert the second charged battery.
No hammering action.	The product is too cold.	▶ Bring the product into contact with the working surface, switch it on and allow it to idle. If necessary, repeat the procedure until the hammering mechanism begins to operate.
Product or battery gets very hot.	Electrical fault.	▶ Immediately switch off the product. Remove the batteries and keep them under observation. Allow them to cool down. Contact <b>Hilti Service</b> .
Product cuts out while in operation or does not start	Product/batteries too hot or batteries too cold.	▶ Switch off; allow the tool/batteries to cool down. ▶ Batteries too cold. Bring the batteries to the recommended working temperature.

## 11 Disposal



### WARNING

**Risk of injury due to incorrect disposal!** Health hazards due to escaping gases or liquids.

- ▶ DO NOT send batteries through the mail!
- ▶ Cover the terminals with a non-conductive material (such as electrical tape) to prevent short circuiting.
- ▶ Dispose of your battery out of the reach of children.
- ▶ Dispose of the battery at your **Hilti Store**, or consult your local governmental garbage disposal or public health and safety resources for disposal instructions.



Most of the materials from which **Hilti** products are manufactured can be recycled. The materials must be correctly separated before they can be recycled. In many countries, your old tools, machines or appliances can be returned to **Hilti** for recycling. Ask **Hilti Service** or your Hilti sales representative for further information.



- ▶ Do not dispose of power tools, electronic equipment or batteries as household waste!

## 12 Manufacturer's warranty

- ▶ Please contact your local **Hilti** representative if you have questions about the warranty conditions.

## 13 Further information

For more information on operation, technology, environment and recycling, follow this link: [qr.hilti.com/manual/?id=2301751&id=2301753](http://qr.hilti.com/manual/?id=2301751&id=2301753)

This link is also to be found at the end of the documentation, in the form of a QR code.



# הוראות הפעלה מקוריות

## 1 נתונים על התיעוד

### 1.1 על אודות תיעוד זה

- קרא את תיעוד זה במלואו לפני השימוש הראשון. רק כך ניתן להבטיח עבודה בטוחה ונטולת תקלות.
- ציית להוראות הבטיחות והאזהרות שבתיעוד זה ולאלה המצוינות על המוצר.
- שמור את הוראות ההפעלה תמיד בצמוד למוצר, והקפד להעביר אותן לאדם שאליו אתה מעביר את המוצר.

### 1.2 הסבר הסימנים

#### 1.2.1 אזהרות

האזהרות מזהירות מפני סכנות בשימוש במוצר. במדריך זה מופיעות מילות המפתח הבאות:



**סכנה**

**סכנה!**

מציינת סכנה מיידית, המובילה לפציעות גוף קשות או למוות.



**אזהרה**

**אזהרה!**

מציינת סכנה אפשרית, שיכולה להוביל לפציעות גוף קשות או למוות.



**זהירות**

**זהירות!**

מציינת מצב שעלול להיות מסוכן ולהוביל לפציעות גוף או לבדקים לרכוש.

### 1.2.2 סמלים בהוראות ההפעלה

הסמלים הבאים מופיעים בהוראות הפעלה אלה:

שים לב להוראות ההפעלה	
הנחיות לשימוש ומידע שימושי נוסף	
טיפול נכון בחומרים למיחזור	
אין להשליך לפסולת הביתית מכשירים חשמליים וסוללות	
Hilti סוללת ליתיום-יון	
Hilti מטען	

### 1.2.3 סמלים באיורים

הסמלים הבאים משמשים באיורים:

מספרים אלה מפנים לאיור המתאים בתחילת הוראות הפעלה אלה.	
המספרים באיורים משקפים את רצף הפעולות, והם עשויים להיות שונים מרצף הפעולות המצוינות בטקסט.	3
מספרי הפריטים מופיעים באיור <b>סקירה</b> ותואמים את המספרים במקרא בפרק <b>סקירת המוצר</b> .	
סימן זה אמור לעורר את תשומת לבך המיוחדת בעת השימוש במוצר.	

## 1.3 סמלים התלויים בדגם המוצר

### 1.3.1 סמלים על המוצר

הסמלים הבאים עשויים להופיע על המוצר:



הובלה באמצעות מנוף אסורה	
המוצר תומך בטכנולוגיית NFC, התואמת את פלטפורמות iOS ו-Android.	
סוללת ליתיום-יון	Li-Ion
לעולם אין להשתמש בסוללה כפטיש.	
אין להפיל את הסוללה. אין להשתמש בסוללה שנחבטה או שניזוקה באופן אחר.	

## 1.4 פרטי המוצר

המוצרים של **HILTI** מיועדים למשתמש המקצועי, ורק אנשים מורשים, שעברו הכשרה מתאימה, רשאים לתפעל, לתחזק ולתקן אותם. אנשים אלה חייבים ללמוד באופן מיוחד את הסכנות האפשריות. המוצר המתואר והעזרים שלו עלולים להיות מסוכנים כאשר אנשים שלא עברו הכשרה מתאימה משתמשים בהם באופן לא מקצועי או כאשר משתמשים בהם שלא בהתאם ללייעוד. שם הדגם והמספר הסידורי מצוינים על לוחית הדגם.

רשום את המספר הסידורי בטבלה הבאה. בכל פנייה לנציגינו או למעבדת שירות יש לציין את נתוני המוצר.

נתוני המוצר	
פטיש חציבה	TE 2000-22
דור	01
מס' סידורי	

## 1.5 הצהרת תאימות

היצרן מצהיר באחריותו הבלעדית כי המוצר המתואר כאן עונה על דרישות החוק התקפות והתקנים התקפים. בסוף תיעוד זה ישנו צילום של הצהרת התאימות.

התיעוד הטכני שמור כאן:

Hilti Entwicklungsgesellschaft mbH | Zulassung Geräte | Hiltistraße 6 | 86916 Kaufering, Germany

## 2 ביטוח

### 2.1 הוראות ביטוח כלליות לכלי עבודה חשמליים

**⚠ אזהרה קרא את כל הוראות הביטוח, ההנחיות, האירורים והנתונים הטכניים המצורפים לכלי העבודה החשמלי. אי ציות להנחיות עלול להוביל להתחשמלות, לשרפה ו/או לפציעות קשות.**

**שמור את כל הוראות הביטוח וההנחיות לעיון בעתיד.**

המונח "כלי עבודה חשמלי" המשמש בהוראות הביטוח מתייחס לכלי עבודה חשמליים המחוברים לרשת החשמל (עם כבל חשמל) או לכלי עבודה חשמליים המופעלים באמצעות סוללה נטענת (ללא כבל חשמל).

#### ביטוח במקום העבודה

- ◀ **שמור על אזור העבודה שלך נקי ודאג לתאורה מספקת.** חוסר סדר או תאורה לקויה במקום העבודה עלולים לגרום לתאונות.
- ◀ **אין להפעיל את כלי העבודה החשמלי בסביבה שקיימת בה סכנת פיצוץ או שיטנים בה נודלים, גזים או אבק דליקים.** כלי עבודה חשמליים יוצרים ניצוצות, שעלולים להצית את האבק או האדים.
- ◀ **הרחק ילדים ואנשים אחרים מכלי העבודה החשמלי במהלך השימוש בו.** אם דעתך תוסח אתה עלול לאבד את השליטה במכשיר.

#### ביטוח בחשמל

- ◀ **תקע החשמל של כלי העבודה החשמלי חייב להתאים לשקע החשמל. אסור לנשות בשום אופן את תקע החשמל. אל תשתמש בשקע מתאם ביחד עם כלי עבודה חשמליים הכוללים הגנת הארקה.** שימוש בתקעים חשמליים שלא עברו שנינו ושקעי חשמל מתאימים מפחית את הסיכון להתחשמלות.
- ◀ **מנע מגע של הגוף בשטחים מוארקים כגון צינורות, גופי חימום, תנורים ומקררים.** קיימת סכנה גבוהה להתחשמלות כאשר הגוף שלך מוארק.
- ◀ **הרחק כלי עבודה חשמליים מגשם או רטיבות.** חדירת מים לכלי העבודה החשמלי מגדילה את הסיכון להתחשמלות.
- ◀ **אלו השתמש בכבל החשמל למטרות שלא לשמן הוא נועד, לדוגמה: אל תרים את כלי העבודה החשמלי באמצעות הכבל ואל תנסה לנתק את התקע משקע החשמל במשיכה מהכבל.** הרחק את הכבל מחום, שמן, פינות חדות או מחלקים נעים. כבלים שניזוקו או שהסתבכו בחלקים אחרים מגדילים את הסיכון להתחשמלות.
- ◀ **כאשר אתה עובד עם כלי העבודה החשמלי בחוץ, השתמש רק בכבל מאריך המיועד לשימוש חיצוני.** שימוש בכבל מאריך המתאים לשימוש חיצוני מפחית את הסיכוי להתחשמלות.



אם לא ניתן להימנע משימוש בכלי העבודה החשמלי בסביבה לחה, השתמש בממסר פחת. השימוש בממסר פחת מפחית את הסיכון להתחשמלות.

#### בטיחות של אנשים

- היה ערני, שים לב למה שאתה עושה, ופעל בתבונה כאשר אתה עובד עם כלי עבודה חשמלי. אל תפעיל כלי עבודה חשמליים כשאתה עייף או תחת השפעת סמים, אלכוהול או תרופות. די ברגע אחד של חוסר תשומת-לב בדמן השימוש בכלי העבודה החשמלי כדי לגרום פציעות קשות.
- לבש תמיד ציוד מגן וסוּקְפֵי מגן. לבישת ציוד מגן אישי, כגון מסכת אבק, געלי בטיחות מונעות החלקה, קסדת מגן או מגני שמיעה – בהתאם לסוג השימוש בכלי העבודה החשמלי – מקטינה את הסיכון לפציעות.
- מנע הפעלה בשוגג. ודא שכלי העבודה החשמלי כבוי לפני שאתה מחבר אותו לאספקת החשמל ו/או לפני שאתה מחבר את הסוללה ולפני הרמתו. אל תניח את אצבעך על המתג בדמן שאתה נושא את המכשיר ואל תחבר אותו לאספקת החשמל כאשר הוא מופעל, אחרת עלולות להיגרם תאונות.
- הרחק כלי כוונון או מפתחות ברגים לפני שאתה מפעיל את כלי העבודה החשמלי. כלי עבודה או מפתחות הנמצאים בקרבת חלקים מסתובבים עלולים לגרום פציעות.
- הימנע מתנוחות גוף לא כנונות. עמוד באופן יציב ושומר תמיד על שיווי משקל. כך תוכל לשלוט טוב יותר בכלי העבודה החשמלי במצבים לא צפויים.
- לבש בגדים מתאימים. אל תלבש בגדים רחבים או תכשיטים. הרחק את השער, הבגדים וכפפות מחלקים נעים. בגדים רופפים, תכשיטים ושיער ארוך עלולים להיתפס בחלקים נעים.
- כאשר ניתן להתקיין התקני שאיבת אבק ולכידה יש לוודא שהם מחוברים לחשמל, ויש להקפיד להשתמש בהם בצורה כנונה. שימוש בהתקין שאיבת אבק מקטין את הסכנות הנובעות מהאבק.
- אל תהיה שאגן בנושאי בטיחות ואל תתעלם מהוראות בטיחות של כלי עבודה חשמליים, גם אם השתמשת במכשיר פעמים רבות ואתה מכיר אותו היטב. התנהגות רשלנית עלולה להוביל לפציעות קשות בתוך שניות.

#### שימוש וטיפול בכלי העבודה החשמלי

- אל תפעיל עומס רב מדי על המכשיר. השתמש בכלי העבודה החשמלי המתאים לעבודה שאתה מבצע. כלי העבודה החשמלי המתאים מבטיח לך עבודה טובה ובטוחה יותר בתחום ההספק הנקוב.
- אל תשתמש בכלי העבודה אם המתג שלו אינו תקין. כלי עבודה חשמלי שלא ניתן עוד להפעיל או לכבות אותו מהווה סכנה ויש לתקנו.
- נתק את תקע החשמל מהשקע ו/או הסר את הסוללה לפני שאתה מבצע כוונונים במכשיר, מחליף כלים או לאחר שאתה מפסיק לעבוד עם המכשיר. אמצעי זהירות זה מונע הפעלה בשוגג של כלי העבודה החשמלי.
- שמור כלי עבודה חשמליים שאינם בשימוש הרחק מהישג ידם של ילדים. אל תאפשר לאנשים שאינם יודעים כיצד להשתמש במכשיר או שלא קראו את ההוראות להשתמש במכשיר. כלי עבודה חשמליים הם מסוכנים כאשר משתמשים בהם אנשים חסרי ניסיון.
- יטפל בכלי עבודה חשמליים ובאביזרים בהקפדה. בדוק אם החלקים הנעים פועלים בצורה חלקה ואינם נתקעים, אם ישנם חלקים שבורים או מקולקלים המשבשים את הפעולה התקינה של כלי העבודה החשמלי. לפני השימוש במכשיר דאג לתיקון חלקים לא תקינים. תאונות רבות נגרמו עקב תחזוקה לקויה של כלי עבודה חשמליים.
- שמור על כלי החיתוך חדים ונקיים. כלי חיתוך מטופלים היטב, שלהביהם חדים נתקעים פחות וקלים יותר לתפעול.
- השתמש בכלי העבודה החשמלי, באביזרים, בכלי העבודה הנוספים וכן הלאה בהתאם להוראות אלה. התחשב בתנאי העבודה ובפעולה שעליך לבצע. שימוש בכלי העבודה החשמלי למטרות אחרות מאלה שלשמן הוא מיועד עלול להיות מסוכן.
- שמור על ידיות ואזורי אחיזה נקיים מלכלוך משומן ומגריז. ידיות ואזורי אחיזה חלקים אינם מאפשרים תפעול בטוח ושלטיה טובה בכלי העבודה החשמלי במצבים לא צפויים.

#### שימוש וטיפול בכלי עבודה נטענים

- שמור את הסוללות בכלי במטענים שהומלצו על ידי היצרן. טעינה של סוללה במטען המיועד לטעינה של סוללות מסוג אחר עלולה לגרום לשרפה.
- השתמש לשם כך רק בסוללות המתאימות לכלי העבודה החשמלי. שימוש בסוללות אחרות עלול לגרום לשרפות.
- שמור סוללות שאינן בשימוש הרחק ממקדחי נייר משרדיים, ממטבקות, מפתחות, מסמרים, ברגים או חפצים מתכתיים קטנים אחרים שיכולים לגרום לשרפה בין המגעיים. קצר בין מגעי הסוללה עלול לגרום לכוויות או לשרפה.
- שימוש שגוי עלול לגרום לדליפת נוזלים מהסוללה. אל תיגע בנוזלים אלה. אם נגעת בהם במקרה, שטוף את האזור במים. אם הנוזל נוגע בעיניים, פנה לרופא. נדל סוללות שדלף עלול לגרום לגירויים בעור ולכוויות.
- אין להשתמש בסוללה ששונתה או שניזוקה. סוללות שניזוקו או שנערכו בהן שינויים עשויות להגיב בצורה לא צפויה ולגרום לשרפה, לפיצוץ ולפציעות.
- אין לחשוף סוללות לאש או למטפרטורות גבוהות. אש או מטפרטורות גבוהות מ-130°C (265°F) עלולות לגרום לפיצוץ.
- ציית לכל ההנחיות הנוגעות לטעינה, ואף פעם אל תטען את הסוללה או את הכלי עם הסוללה בסביבה שהטמפרטורה בה נמצאת מחוץ לטווח המצוין בהוראות הפעלה. טעינה שגויה או טעינה בטמפרטורה שנמצאת מחוץ לטווח המצוין בהוראות הפעלה עלולה לגרום את הסוללה והלגריז את הסיכון לשרפה.

#### שירות

- דאג לתיקון כלי העבודה החשמלי שלך רק בידי טכנאים מוסמכים, המשתמשים בחלקי חילוף מקוריים בלבד. כך תבטיח שמירה על בטיחות העבודה במכשיר.
- אל תטפל בעצמך בסוללות שניזוקו. רק היצרן או מעבדה מורשית מטעמו רשאים לטפל בסוללות.



**הנחיות בטיחות לכל העבודות**

- ◀ **השתמש במגני שמיעה.** רעש חזק עלול לפגוע בשמיעה.
- ◀ **השתמש בידידות האחיזה הנוספות המצורפות למכשיר.** אובדן השליטה במכשיר עלול לגרום לפציעות.
- ◀ **כאשר אתה ממצע עבודות שבהן כלי העבודה עלול לפגוע בקווי חשמלי מוסתרים אחדו במכשיר במקומות האחיזה המבודדים.** מגע בקווים המוליכים זרם עלול להעביר זרם גם לחלקים מתכתיים במכשיר שלך ולגרום להתחשמלות.

**בטיחות של אנשים**

- ◀ השתמש במוצר ובאביזרים רק בתנאי שהם נמצאים במצב טכני מושלם.
- ◀ אל תבצע בשום אופן שינויים או מניפולציות במוצר או באביזרים.
- ◀ אם אפשר השתמש בעגלת ההובלה או באמצעי הובלה אחר. אם אין עגלת הובלה או אמצעי הובלה אחר, שני אנשים צריכים לסחור את המוצר. שים לב שהמוצר עם עגלת ההובלה שוקלים ביחד משקל ניכר.
- ◀ הקפד על עמידה יציבה בעת חציבה בתקרה, בקיר וברצפה. פריצה פתאומית עלולה לגרום לך לאבד שיווי משקל!
- ◀ בעבודות פריצה יש לאבטח את האזור בצד הנגדי של מקום העבודה שלך. חומרים מעבודות הפריצה עשויים ליפול ולפצוע אנשים אחרים.
- ◀ במהלך השימוש במוצר גם אתה וגם אנשים הנמצאים בקרבת מקום צריכים לחבוש משקפי מגן מתאימים, קסדת הגנה, להשתמש במגני שמיעה וללבוש מסכת נשימה קלה.
- ◀ אבק שנוצר במהלך ליטוש, השחזה, חיתוך או קידוח עלול להכיל כימיקלים מסוכנים. להלן כמה דוגמאות: עופרת או צבעים על בסיס עופרת; לבנים, בטון וחומרי קיר אחרים, אבן טבעית ומוצרים אחרים המכילים סיליקט; עצים מסוימים, כגון אלון, בוק ועץ שעבר טיפול כימי; אסבסט או חומרים המכילים אסבסט. יש למדוד את חשיפת המשתמש והאנשים בסביבה על פי דירוג הסכנה של החומרים שבהם עובדים. נקט את האמצעים הדרושים כדי לשמור את החשיפה ברמה בטוחה, לדוגמה שימוש במערכות שאיבת אבק או לבישת מסכת נשימה מתאימה. להלן רשימה של אמצעים כלליים להפחתת החשיפה:
  - ◀ עבודה באזור מאוורר היטב.
  - ◀ הימנעות ממגע ממושך עם האבק.
  - ◀ סילוק האבק מהפנים והגוף.
  - ◀ לבישת ביגוד מגן ושטיפת אזורים חשופים במים וסבון.
  - ◀ לבש נעלי בטיחות בעת החלפת כלי. מגע בכלי עלול לגרום לפציעות ולכוויות.
  - ◀ סכנת פציעה מכלי עבודה ו/או אביזרים נופלים. לפני תחילת העבודה בדוק שהסוללה והאביזר המותקן מחוברים היטב.
  - ◀ שמור על חריצי האוורור פנויים תמיד. סכנת כוויה כשחריצי האוורור מכוסים!
  - ◀ השתמש במגני עיניים. שבבי חומר שניתנים עלולים לפצוע את הגוף והעיניים.
  - ◀ ערוך הפסקות תכופות ותרגילים לשיפור זרימת הדם לאצבעות. בעבודה ממושכת הרעידות החזקות מהמכשיר עשויות לגרום להפרעות בכלי הדם או במערכת העצבים של האצבעות, כפות הידיים או שורשי כף היד.
  - ◀ ודא תמיד שהמוצר עומד יציב. העמד תמיד את המוצר על משטח ישר, יציב ושאינו חשוף לרעידות או טלטלות.

**בטיחות בחשמל**

- ◀ לפני תחילת העבודה בדוק אם ישנם כבלי חשמל, צינורות גז או מים נסתרים. חלקים מתכתיים חיצוניים על המכשיר עלולים לגרום התחשמלות או פיצוץ כאשר פוגעים בכבל חשמל, בצינור גז או מים.
- ◀ **טיפול ושימוש קפדניים בכלי עבודה חשמליים**
- ◀ המתן עד לעצירה מלאה של כלי העבודה החשמלי לפני שאתה מניח אותו.
- ◀ הפעל את המוצר רק כשאתה נמצא בעמדת העבודה.

- ◀ **שים לב להוראות הבטיחות הבאות בנושא טיפול בטוח ושימוש בטוח בסוללות ליתיום-יון.** אי הקפדה עשוי להוביל לגירויים בעור, פציעות צריבה קשות, כוויות כימיות, דליקה ו/או לפיצוץ.
- ◀ השתמש רק בסוללות שנמצאות במצב טכני מושלם.
- ◀ טפל בסוללות בהקפדה כדי למונע נזקים ולמנוע דליפה של נוזלים מסוכנים לבריאות!
- ◀ בשום אופן אסור להכניס שינויים כלשהם בסוללות!
- ◀ אין לפרק, למעוך, לחמם לטמפרטורה גבוהה מ-80°C (176°F) או לשרוף את הסוללות הנטענות.
- ◀ אל תשמש או תטען סוללות שקיבלו מכה או ניזוקו בדרך אחרת. בדוק את הסוללות שלך באופן סדיר כדי לזהות סימני נזק.
- ◀ בשום אופן אין להשתמש בסוללות ממוחזרות או מתוקנות.
- ◀ לעולם אין להשתמש בסוללה או בכלי עבודה חשמלי המופעל בסוללה כפטיש.
- ◀ לעולם אין לחשוף את הסוללה לקרינת שמש ישירה, לטמפרטורה גבוהה, לניצוצות או ללהבה גלויה. זה עלול להוביל לפיצוץ.
- ◀ אל תיגע בקוטבי הסוללה באצבעותיך, באמצעות כלי עבודה, תכשיטים או באמצעות עצמים מוליכי חשמל אחרים. זה עלול לפגוע בסוללה כמו גם לגרום נזקי רכוש ופציעות.
- ◀ הרחק סוללות מרטיבות ונוזלים. חדירת לחות עלולה לגרום קצר, התחשמלות, כוויות, דליקה ופיצוץ.



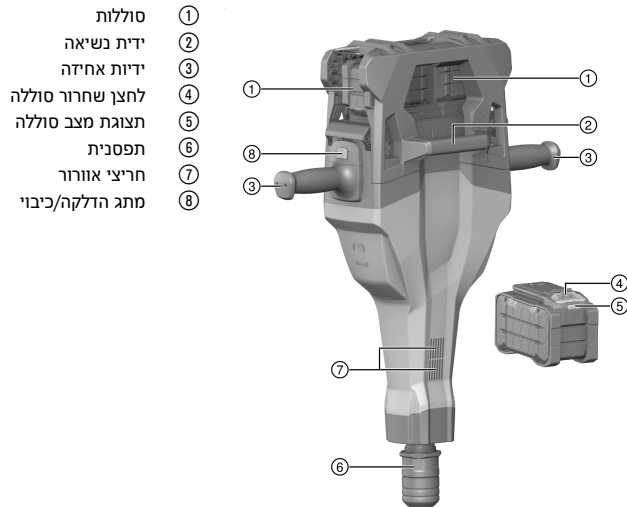
- השתמש רק במטענים ובכלי עבודה חשמליים המיועדים לסוג סוללה זה. שים לב בנושא זה לדרישות המופיעות בהוראות ההפעלה המתאימות.
- אין להשתמש בסוללה בסביבה נפיצה או לאחסן אותה בסביבה נפיצה.
- אם הסוללה חמה כל כך שלא ניתן לגעת בה, ייתכן שהיא אינה תקינה. הנח את הסוללה במקום לא דליק, גלוי, רחוק מספיק מחומרים דליקים. אפשר לסוללה להתקרר. אם כעבור שעה הסוללה עדיין חמה מדי לנגיעה, אז היא פגומה. פנה לשירות של Hilti או קרא את המסמך "הנחיות בנושא בטיחות ושימוש בסוללות ליתיום-יון של Hilti".

שים לב לתקנות המיוחדות החלות על הובלה, אחסון ושימוש בסוללות ליתיום-יון. ← עמוד 22

קרא את ההנחיות בנושא בטיחות ושימוש בסוללות ליתיום-יון של Hilti; אפשר להגיע אליהן דרך קוד ה-QR שבסוף הוראות אלה.

### 3 תיאור

#### 3.1 סקירת המוצר 1



- 1 סוללות
- 2 ידית נשיאה
- 3 ידיות אחיזה
- 4 לחצן שחרור סוללה
- 5 תצוגת מצב סוללה
- 6 תפסנית
- 7 חריצי אוורור
- 8 מתג הדלקה/כיבוי

#### 3.2 סקירת עלת ההובלה והמזוודה B22C (XL) (אופציונלי) 2

- |                                  |    |                                      |
|----------------------------------|----|--------------------------------------|
| 7 אבטחת גלגל (דיסקית, פין מפציל) | 7  | 1 ידית                               |
| 8 פין לחיבור המכונה              | 8  | 2 אבטחת מטען                         |
| 9 ידית נשיאה                     | 9  | 3 ידית נעילה                         |
| 10 סוללה                         | 10 | 4 נעילה עבור מזוודת סוללות B22C (XL) |
| 11 מטען                          | 11 | 5 מחדק עבור חלקי בלאי (אזמל)         |
| 12 מזוודה B22C (XL)              | 12 | 6 גלגלים                             |

#### 3.3 שימוש בהתאם לייעוד

- המוצר המתואר הוא פטיש חציבה נטען שמופעל ידנית. הוא מיועד לחציבה בבטון, בקירות לבנים ובאספלט. אפשר להשתמש בו להידוק חפירות.
- מותר להשתמש במוצר רק לכיוון הקרקע.
- השתמש עבור מוצר זה רק בסוללות ליתיום-יון Hilti Nuron מסדרת הדגמים B 22. כדי להשיג ביצועים אופטימליים, Hilti ממליצה להשתמש עבור מוצר זה בסוללות המצוינות בסוף הוראות ההפעלה האלה.
  - השתמש עבור סוללות נטענות אלה רק במטענים של Hilti מסדרות הדגמים המצוינות בטבלה סוף הוראות הפעלה אלה.

#### 3.4 שימוש שגוי

- אסור להשתמש במוצר לעבודה בסביבה לחה.



- אין להשתמש במוצר במקומות שקיימת בהם סכנת שריפה ופיצוץ.
- אין לעבוד בחומרים מסוכנים לבריאות (כגון אסבסט).
- אין להוביל את המוצר באמצעות מנוף.
- אין לעבוד על סולם.
- אסור להשתמש במוצר במצב אופקי לכיוון הקיר.
- אין להשתמש בחבלי אבטחת כלי עבודה.

### 3.5 Active Vibration Reduction

המוצר מצויד במערכת Active Vibration Reduction (AVR), שמפחיתה את הרעידות באופן משמעותי.

### 3.6 מפרט אספקה

פטיש חציבה נטען, הוראות הפעלה, גריד  
 את עגלת ההובלה והמזוודה של הסוללות והמטען אפשר לרכוש כאביזרים נוספים.  
 מוצרים נוספים המאושרים עבור המוצר שלך תמצא ב- **Hilti Store** או בכתובת: [www.hilti.group](http://www.hilti.group)

### 3.7 תצוגות סוללת הליתיום-יון

סוללות ליתיום-יון של **Hilti Nuron** יכולות להציג את רמת הטעינה, הודעות שגיאה ואת מצב הסוללה.

#### 3.7.1 תצוגות של רמת הטעינה והודעות שגיאה



**אזהרה**

**סכנת פציעה עקב סוללה שנפלה!**

◀ לאחר לחיצה על לחצן שחרור הנעילה בסוללה מחוברת, יש לוודא שהסוללה ננעלת בחזרה במקום.

כדי לראות אחת מהתצוגות האלה, לחץ קצרות על לחצן שחרור הסוללה.  
 רמת הטעינה כמו גם תקלות אפשריות יוצגו ברציפות כל עוד המוצר המחובר מופעל.

מצב	משמעות
ארבע (4) נוריות מאירות ברציפות בירוק	רמת טעינה: 100% עד 71%
שלוש (3) נוריות מאירות ברציפות בירוק	רמת טעינה: 70% עד 51%
שתי (2) נוריות מאירות ברציפות בירוק	רמת טעינה: 50% עד 26%
נורית אחת (1) מאירה ברציפות בירוק	רמת טעינה: 25% עד 10%
נורית אחת (1) מהבהבת לאט בירוק	רמת טעינה: > 10%
נורית אחת (1) מהבהבת מהר בירוק	סוללת הליתיום-יון ריקה לגמרי. טען את הסוללה. אם הנורית ממשיכה להבהב גם לאחר טעינה סוללות, פנה לשירות של <b>Hilti</b> .
נורית אחת (1) מהבהבת מהר בצהוב	סוללת הליתיום-יון או המוצר המחובר אליה חמים מדי, קרים מדי, תחת עומס-יתר או ישנה תקלה אחרת. הבא את המוצר והסוללה לטמפרטורת העבודה המומלצת, ואל תפעיל עומס מופרז על המוצר במהלך השימוש. אם ההודעה עדיין קיימת, פנה לשירות של <b>Hilti</b> .
נורית אחת (1) מאירה בצהוב.	סוללת הליתיום-יון והמוצר המחובר אליה אינם תואמים. אנא פנה למעבדת שירות של <b>Hilti</b> .
נורית אחת (1) מהבהבת במהירות באדום	סוללת הליתיום-יון חוסמה, ואי אפשר להמשיך ולהשתמש בה. אנא פנה למעבדת שירות של <b>Hilti</b> .

#### 3.7.2 תצוגות של מצב הסוללה

כדי לבדוק את מצב הסוללה, החזק את לחצן השחרור לחוץ במשך יותר משלוש שניות רצופות. המערכת אינה מזהה תקלה פוטנציאלית בתפקוד הסוללה עקב שימוש לא נכון, לדוגמה נפילה, חתכים או נדקי חום חיצוניים וכן הלאה.

מצב	משמעות
כל הנוריות מאירות כאור רך, ולאחר מכן נורית אחת (1) מאירה ברציפות בירוק.	אפשר להמשיך ולהשתמש בסוללה.
כל הנוריות מאירות כאור רך, ולאחר מכן נורית אחת (1) מהבהבת מהר בצהוב.	אי אפשר היה להשלים את בירור מצב הסוללה. חזור על התהליך או פנה לשירות של <b>Hilti</b> .





מצב	משמעות
כל הנוריות מאירות כאור רץ, ולאחר מכן נורית אחת (1) מאירה ברציפות באדום.	אם עדיין אפשר להמשיך להשתמש במוצר המחובר, קיבולת הסוללה הנוותרת נמוכה מ-50%. אם אי אפשר עוד להמשיך להשתמש במוצר המחובר, אד הסוללה נמצאת בסוף חיי השירות שלה ויש להחליף אותה. אנא פנה למעבדת שירות של Hilti.

#### 4 פטיש חציבה נטען

TE 2000-22	
17.4 ק"ג	משקל לפי EPTA Procedure 01 ללא סוללה
38.2 ג'אול	אנרגיית הלימה בודדת (EPTA-Procedur 05)
60 °C ... -17 °C	טמפרטורת סביבה בעבודה
70 °C ... -20 °C	טמפרטורת אחסון

#### 4.1 סוללה נטענת

21.6 וולט	מתח עבודה עם סוללה נטענת
ראה בסוף הוראות ההפעלה האלה	משקל הסוללה
60 °C ... -17 °C	טמפרטורת סביבה בעבודה
40 °C ... -20 °C	טמפרטורת אחסון
45 °C ... -10 °C	טמפרטורת הסוללה בתחילת הטעינה

#### 4.2 ערכי רעש לפי EN 62841

ערכי לחץ הקול והרעידות המצוינים בהוראות אלה נמדדו בהתאם לנוהל המדידה התקני, וניתן להשתמש בהם לצורך השוואה בין כלי עבודה חשמליים. הם מתאימים גם להערכה זמנית של העומסים.

הנתונים המצוינים תקפים לשימושים העיקריים בכלי העבודה החשמלי. אולם אם משתמשים בכלי העבודה החשמלי לשימושים אחרים, בשילוב אביזרים אחרים או אם המכשיר אינו עובר תחזוקה מספקת, הנתונים עשויים להשתנות. בעקבות זאת פריסת העומסים למשך זמן העבודה כולו עשויה להיות גבוהה באופן משמעותי.

לצורך הערכה מדויקת של העומסים יש לקחת בחשבון גם את הזמנים שבהם המכשיר כבוי או שבהם הוא פועל אך אינו בשימוש בפועל. בעקבות זאת פריסת העומסים למשך זמן העבודה כולו עשויה להיות נמוכה באופן משמעותי.

יש לקבוע הנחיות בטיחות נוספות להגנה על המשתמש מפני ההשפעות של קול ו/או רעידות, כגון: תחזוקה של כלי העבודה החשמלי ושל כלי העבודה המחוברים, שמירה על ידיים חמות, ארגון תהליכי העבודה.

#### מידע על רעשים

98 dB(A)	רמת הספק קול נמדדת ( $L_{WA}$ )
3 dB(A)	אי-ודאות ברמת הספק הקול ( $K_{WA}$ )
87 dB(A)	רמת לחץ קול ( $L_{pA}$ )
3 dB(A)	אי-ודאות ברמת לחץ קול ( $K_{pA}$ )

#### ערכי רעידות כוללים

3.8 מ'שנ <sup>2</sup>	<b>B 22-170</b>	חציבה ( $a_{h, Choc}$ )
3.8 מ'שנ <sup>2</sup>	<b>B 22-255</b>	
1.5 מ'שנ <sup>2</sup>		אי ודאות (K)

#### 5 הכנה לעבודה

##### ⚠ אזהרה

**סכנת פציעה עקב התחלת תנועה בשוגג!**

- ← לפני חיבור הסוללות ודא שהמוצר כבוי.
- ← הוצא את הסוללות לפני שאתה מבצע כווננים במכשיר או מחליף אביזרים.

ציית להוראות הבטיחות והאזהרות שבתייעוד זה ולאלה המצוינות על המוצר.



## 5.1 טעינת סוללות

1. קרא את הוראות ההפעלה של המטען לפני הטעינה.
2. ודא שהמגעים של הסוללה ושל המטען נקיים ויבשים.
3. טען את הסוללה במטען מאושר. – עמוד 17

## 5.2 הכנסת סוללות

### ⚠ אזהרה

#### סכנת פציעה עקב קצר או נפילת סוללה!

- ◀ לפני חיבור הסוללות ודא שהמגעים של הסוללות ושל המוצר נקיים מגופים זרים.
- ◀ ודא שהסוללות מחוברות היטב תמיד.

1. טען את הסוללות למצב מלא לגמרי לפני השימוש הראשון.
2. דחף את הסוללות למוצר עד שאתה שומע אותן בנעלות.
3. ודא שהסוללות יושבות היטב.

## 5.3 הסרת הסוללה

1. לחץ על לחצן השחרור של הסוללה.
2. משוך את הסוללה החוצה מהמוצר.

## 6 תפעול

ציית להוראות הבטיחות והאזהרות שבתיעוד זה ולאלה המצוינות על המוצר.

### 6.1 חיבור כלי 3

1. שמן קלות את הקנה של הכלי.

שימוש בגריד לא מתאים עלול לגרום נזק למוצר. השתמש רק בגריד מקורי של Hilti.



2. הכנס את הכלי לתפסנית וסובב אותו תוך לחיצה קלה פנימה, עד שהוא נתפס בצליל נקישה ברור.
3. משוך את הכלי כדי לוודא שהוא נעול היטב.

### 6.2 הוצאת כלי 4

#### ⚠ זהירות

**סכנת פציעה!** הכלי עשוי להיות חם מאוד ו/או חד.

- ◀ לבש כפפות מגן בעת החלפת כלי.
- ◀ לעולם אין להניח כל חם על חומרים דליקים.

1. משוך את נעילת הכלים לאחור עד הסוף.
2. הוצא את הכלי.

### 6.3 תפעול

ציית להוראות הבטיחות והאזהרות שבתיעוד זה ולאלה המצוינות על המוצר. בקש אישור לעבודות במלואן ממנהל האתר.

#### 6.3.1 חציבה

1. קבע את האזמל במיקום המבוקש.
2. לחץ על מתג ההפעלה/כיבוי.

עבודה בטמפרטורות נמוכות:

המוצר זקוק לטמפרטורת מינימום מסוימת לפני שמערכת ההלימה תתחיל לעבוד. כדי להגיע לטמפרטורה זו יש להצמיד את המוצר לחומר ולאפשר לו לעבוד במהירות סרק לדמן קצר. במקרה הצורך חזור על תהליך זה עד שמערכת ההלימה מתחילה לעבוד.



#### 6.3.2 כיבוי

- ◀ לחץ על מתג ההפעלה/כיבוי.



ניתן למקם את האדמל ב-6 מצבים שונים (מרווחים של 60°). כך ניתן לעבוד באדמלים שטוחים ומעוצבים במצב העבודה הטוב ביותר.

- ◀ הצב את האדמל כ-80-100 מ"מ (3 1/4" - 4") מהקצה.
- ◀ בעבודה עם ברזלי זיון הולך את האדמל תמיד כנגד קצה החומר ולא כנגד מוטות הזיון.
- ◀ התחל בחציבה בדיוות של 90° למשטח הבטון וכיוון את החוד לכיוון הקצה. העבר כעת את האדמל לזווית של 70° עד 80° ושבור את החומר.
- ◀ סובב את האדמל באופן סדיר, כיוון ששחיקה אחידה מסייעת להשחזה העצמית.
- ◀ עוצמת לחיצה נמוכה מדי תגרום לאדמל לקפוץ. עוצמת לחיצה גדולה מדי תפחית את תפוקת העבודה של האדמל.

## 7 עגלת הובלה ומזוודה (XL) B22/C

### 7.1 הובלה

עגלת ההובלה מבטיחה הובלה בטוחה של פטיש החציבה. המזוודה (XL) B22/C מאפשרת הובלה בטוחה של המטען והסוללה.

- ודא כי העגלה עומדת יציב.
- הצב את המוצר על פני חיבור המכונה, ואבטח אותו במהלך ההובלה בעזרת קשת הנעילה.
- הנח את המזוודה (XL) B22/C על עגלת ההובלה, ואבטח אותה באמצעות הנעילה.
- ודא שהדרך פנויה ובטוחה.
- אל תעמיד את עגלת ההובלה על דרך משופעת.
- אין להוביל את עגלת ההובלה והמזוודה (XL) B22/C באמצעות עגרון.
- הכנס את האדמל למחזיק המיועד לו עד שהוא נתפס בו.
- ודא שהדרך פנויה ובטוחה.
- אל תעמיד את עגלת ההובלה על דרך משופעת.
- אין להוביל את עגלת ההובלה והמזוודה (XL) B22/C באמצעות עגרון.

## 8 טיפול ותחזוקה

### ⚠ אזהרה

**סכנת פציעה כשהסוללה מחוברת למכשיר!**

- ◀ הוצא תמיד את הסוללות לפני עבודות טיפול ותחזוקה!

### טיפול במוצר

- הסר בזהירות לכולן שנדבק.
- נקה בזהירות את חריצי האוורור, אם קיימים, באמצעות מברשת יבשה.
- נקה את גוף המכשיר רק בעזרת מטלית לחה מעט. אין להשתמש בחומרי טיפול המכילים סיליקון, מאחר שהם עלולים לפגוע בחלקי הפלסטיק.

### טיפול בסוללות ליתיום-יון

- לעולם אין להשתמש בסוללה שחריצי האוורור שלה סתומים. נקה את חריצי האוורור בזהירות בעזרת מברשת רכה ויבשה.
- מנע חשיפת הסוללה לאבק ולכלוך שלא לצורך. בשום אופן אין לחשוף את הסוללה ללחות גבוהה (לדוגמה להטביל אותה במים או להניח אותה בגשם).
- אם הסוללה ברטבה מאוד, יש להתייחס אליה כאלה סוללה פגומה. בודד אותה במיכל לא דליק ופנה לשירות של Hilti.
- שמור על הסוללה בקייה משמן וגריד. אל תאפשר הצטברות מיותרת של לכלוך ואבק על הסוללה. נקה את הסוללה במטלית יבשה ורכה או במטלית נקייה ויבשה.
- אל תשתמש בחומרי טיפול המכילים סיליקון, מאחר שהם עלולים לפגוע בחלקי הפלסטיק.
- נקה את גוף המכשיר רק בעזרת מטלית לחה מעט. אין להשתמש בחומרי טיפול המכילים סיליקון, מאחר שהם עלולים לפגוע בחלקי הפלסטיק.

### תחזוקה

- יש לבדוק באופן סדיר את כל החלקים הגלויים כדי לאתר נדקים ולוודא שכל הרכיבים פועלים באופן תקין.
- אם ישנם נדקים ו/או תקלות אין להפעיל את המוצר. הבא מיד את המכשיר לתיקון במעבדת שירות של Hilti.
- לאחר עבודות טיפול ותחזוקה יש להקפיד ולחבר את כל התקני ההגנה ולבדוק את תפקוד המכשיר.





## 9 הובלה ואחסון של כלי עבודה בטענים וסוללות

### הובלה

#### ⚠️ זהירות

#### התחלת פעולה בשוגג במהלך הובלה!

יש להוביל את המכשיר כשהסוללה מנותקת ממנו!

- ◀ הוצא את הסוללה/ות.
- ◀ לעולם אין להוביל את הסוללה בצורה חופשית בין עצמים לא ארזים. בזמן ההובלה הסוללות צריכות להיות מוגנות מפני חבטות ורעידות רבות וכן מבודדות מפני חומרים מוליכים כלשהם או סוללות אחרות, כדי שלא ייווצר מגע בינן לבין מגעים של סוללות אחרות ועקב כך קצר. **שים לב לכללי ההובלה במדינתך בנוגע לסוללות.**
- ◀ אסור לשלוח סוללות בדואר. אם אתה רוצה לשלוח סוללות לא פגומות, פנה לשם כך לחברת משלוחים והובלות.
- ◀ בדוק אם ישנם דקים במוצר ובסוללות לפני כל שימוש וכן לפני הובלה ארוכה.

### אחסון

#### ⚠️ אזהרה

#### דק לא מכוון כשהסוללות פגומות או דולפות!

יש לאחסן את המכשיר כשהסוללה מנותקת ממנו!

- ◀ אחסן את המוצר והסוללות במקום קריר ויבש. שים לב לערכי הגבול של הטמפרטורה, כמצוין בנתונים הטכניים.
- ◀ אין לאחסן סוללות על המטען. הקפד להוציא את הסוללה מהמטען בסיום תהליך הטעינה.
- ◀ לעולם אין לאחסן סוללות בשמש, על מקורות חום או מאחורי דוכנית.
- ◀ אחסן את המוצר והסוללה הרחוק מהישג ידם של ילדים או אנשים לא מורשים.
- ◀ בדוק אם ישנם דקים במוצר ובסוללות לפני כל שימוש וכן לפני אחסון ממושך.

## 10 תיקון תקלות

בכול תקלה שים לב לתצוגות של רמת הטעינה ושל התקלות בסוללה. ראה הפרק **תצוגות של סוללת הליתיום-יון**. אם מתרחשת תקלה שאינה מוסברת בטבלה זה או שאינך יכול לתקן בעצמך, פנה לשירות של Hilti.

תקלה	סיבה אפשרית	פתרון
הסוללה אינה נתפסת בצליל קליק ברור.	זיז הנעימה בסוללה או בממשק במכשיר מלוכלך.	◀ נקה את זיזי הנעימה, והכנס את הסוללות בחזרה.
הסוללה מתרונבת מהר מהרגיל.	מצב הסוללה אינו מיטבי.	◀ בדוק את מצב הסוללה. ← עמוד 18
המוצר אינו מתחיל לפעול.	רק סוללה טעונה אחת מחוברת.	◀ חבר את הסוללה הטעונה השנייה.
אין הלימה.	המוצר קר מדי.	◀ הצמד את המוצר לחומר והפעל אותו במצב סרק. חזור על הפעולה לפי הצורך עד שמערכת ההלימה מתחילה לעבוד.
התפתחות חום רבה במוצר או בסוללה.	תקלה חשמלית.	◀ כבה את המוצר מיד. הוצא את הסוללות ובדוק אותן. הנח להן להתקרר. צור קשר עם השירות של Hilti.
המוצר נכבה באמצע העבודה או שהוא אינו מתחיל לפעול	המוצר/הסוללות חמים מדי או הסוללות קרות מדי.	◀ כבה את המכשיר, הנח למכשיר/לסוללות להתקרר. ◀ הסוללה קרה מדי. חמם את הסוללה לטמפרטורת העבודה המומלצת.



**אזהרה**

**סכנת פציעה בעקבות סילוק לא תקין!** סכנה בריאותית מהשתחררות גדים ונוזלים.

- ◀ אין לשלוח סוללות פגומות!
- ◀ כסה את החיבורים באמצעות חומר לא מוליך, כדי למנוע קצר.
- ◀ סלק סוללות כך שהן לא יוכלו להגיע לידיהם של ילדים.
- ◀ סלק את הסוללה ב- **Hilti Store** או פנה לחברת המיחזור האחראית.

המוצרים של **Hilti** מיוצרים בחלקם מגדול מחומרים ניתנים למיחזור. כדי שניתן יהיה למחזרם דרושה הפרדת חומרים מקצועית. במדינות רבות **Hilti** תקבל את המכשיר הישן שלך בחזרה לצורך מיחזור. פנה לשירות של **Hilti** או למשווק.

- ◀ אין להשליך כלי עבודה חשמליים, כלים אלקטרוניים וסוללות לפסולת הביתית!

**12 אחריות יצרן**

- ◀ אם יש לך שאלות בנושא תנאי האחריות, פנה למשווק **Hilti** הקרוב אליך.

**13 מידע נוסף**

מידע נוסף על ההפעלה, הטכנולוגיה, הגנת הסביבה ומיחזור תמצא בקישור הבא:  
[qr.hilti.com/manual/?id=2301751&id=2301753](https://qr.hilti.com/manual/?id=2301751&id=2301753)  
 את הקישור הזה תמצא גם בסוף תיעוד זה בצורת קוד QR.





# EC Declaration of Conformity | UK Declaration of Conformity



**Manufacturer:**  
**Hilti Corporation**  
Feldkircherstraße 100  
9494 Schaan | Liechtenstein

**UK Importer:**  
**Hilti (Gt. Britain) Limited**  
1 Trafford Wharf Road, Old Trafford  
Manchester, M17 1BY

## TE 2000-22 (01)

Serial Numbers: 1-9999999999

2006/42/EC | Supply of Machinery (Safety) Regulations 2008

EN 62841-1:2015

EN 55014-1:2017+A11:2020

2014/30/EU | Electromagnetic Compatibility Regulations 2016

EN 62841-2-6:2020

EN 55014-2:2015

+A11:2020

2011/65/EU | The Restriction of the Use of Certain Hazardous Substances in Electrical and Electronic Equipment Regulations 2012

2000/14/EC | Noise Emission in the Environment by Equipment for use Outdoors Regulations 2001

Details to 2000/14/EC | Noise Emission in the Environment by Equipment for use Outdoors Regulations 2001:

Measured sound power level  $L_{WA}$ : 95 dB/1pW

Guaranteed sound power level,  $L_{WAd}$ : 100 dB/1pW

Conformity assessment procedure: 2000/14/EC Annex VI | Noise Emission in the Environment by Equipment for use Outdoors Regulations 2001, Schedule 9

EU Notified Body: TÜV NORD CERT GmbH  
Langemarckstr. 20, 45141 Essen, Germany (CE 0044)

UK Approved Body: HORIBA MIRA Certification Ltd  
Watling Street, Nuneaton, Warwickshire CV10 0TU (No 0888)

**Dr. Tahar Zrilli**  
Head of Quality and Process Management  
Business Area Electric Tools & Accessories

Schaan, 01.09.2021

**Tassilo Deinzer**  
Executive Vice President  
Business Unit Power Tools & Accessories



 **NURON**



<b>B 22-170 (01)</b>	7.90 Ah	1,34 kg	2.95 lb
<b>B 22-255 (01)</b>	11.85 Ah	1,87 kg	4.12 lb

<b>C 4-22</b>
<b>C 6-22</b>
<b>C 8-22</b>











Hilti Corporation  
LI-9494 Schaan  
Tel.:+423 234 21 11  
Fax:+423 234 29 65  
[www.hilti.group](http://www.hilti.group)



2301751