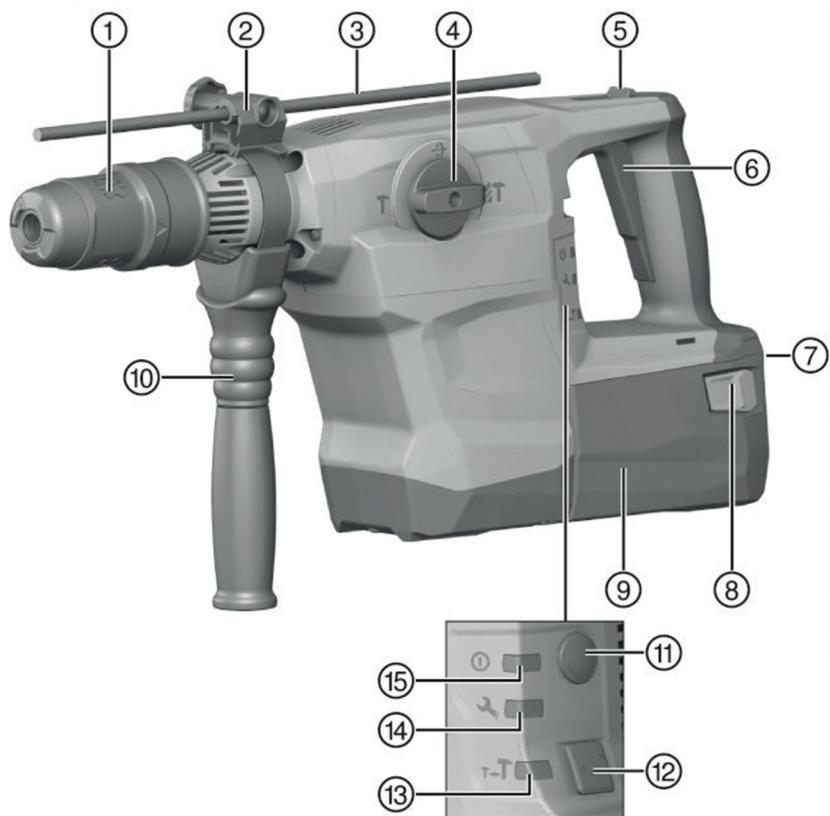




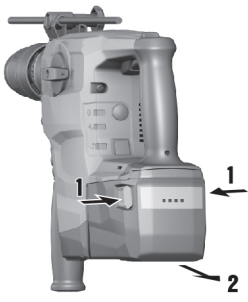
TE 60-A36 (04)

English  
עברית

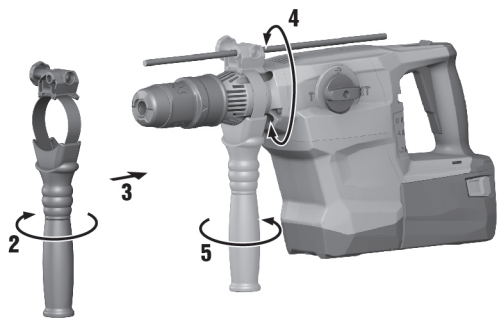
1  
14



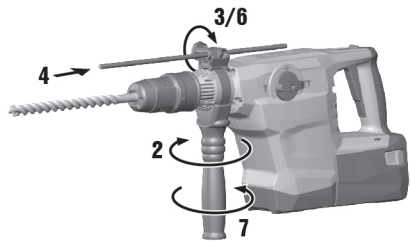
2



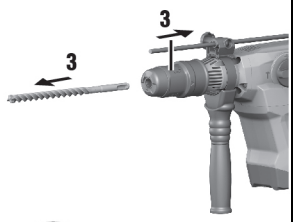
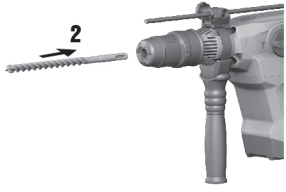
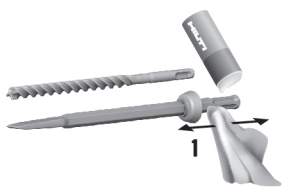
3



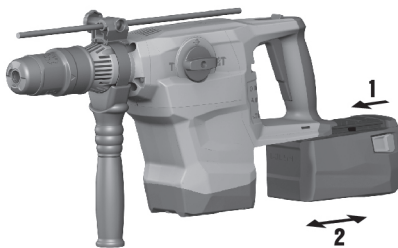
4



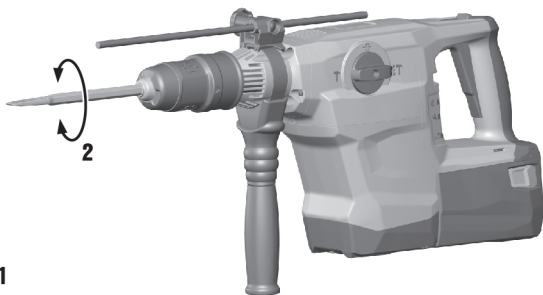
5



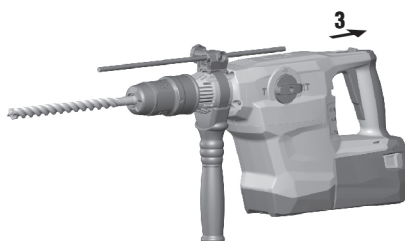
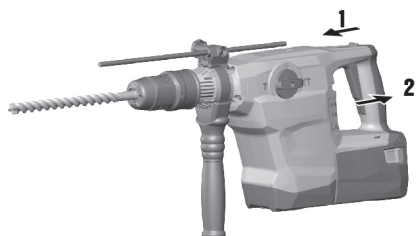
6



7



8



# TE 60-A36

en	Original operating instructions .....	1
he	הוראות הפעלה מקוריות .....	14



# Original operating instructions

## 1 Information about the operating instructions

### 1.1 About these operating instructions

- **Warning!** Read and understand all accompanying documentation, including but not limited to instructions, safety warnings, illustrations, and specifications provided with this product. Familiarize yourself with all the instructions, safety warnings, illustrations, specifications, components, and functions of the product before use. Failure to do so may result in electric shock, fire, and/or serious injury. Save all warnings and instructions for future reference.
- products are designed for professional users and only trained, authorized personnel are permitted to operate, service and maintain the products. This personnel must be specifically informed about the possible hazards. The product and its ancillary equipment can present hazards if used incorrectly by untrained personnel or if used not in accordance with the intended use.
- The accompanying documentation corresponds to the current state of the art at the time of printing. Please always check for the latest version on the product's page on Hilti's website. To do this, follow the link or scan the QR code in this documentation, marked with the symbol .
- Ensure that these operating instructions are with the product when it is given to other persons.

### 1.2 Explanation of symbols

#### 1.2.1 Warnings

Warnings alert persons to hazards that occur when handling or using the product. The following signal words are used:

**DANGER**

**DANGER !**

- ▶ Draws attention to imminent danger that will lead to serious personal injury or fatality.

**WARNING**

**WARNING !**

- ▶ Draws attention to a potential threat of danger that can lead to serious injury or fatality.

**CAUTION**

**CAUTION !**

- ▶ Draws attention to a potentially dangerous situation that could lead to personal injury or damage to the equipment or other property.

#### 1.2.2 Symbols in the operating instructions

The following symbols are used in these operating instructions:

	Comply with the operating instructions
	Instructions for use and other useful information
	Dealing with recyclable materials
	Do not dispose of electric equipment and batteries as household waste
	<b>Hilti</b> Li-ion battery
	<b>Hilti</b> charger

#### 1.2.3 Symbols in illustrations

The following symbols are used in illustrations:

- 2** These numbers refer to the illustrations at the beginning of these operating instructions.



3	The numbers in illustrations refer to important work steps or to components important for the work steps. In the text, the corresponding numbers draw attention to these work steps or components, e.g. <b>(3)</b> .
	Item reference numbers are used in the <b>overview illustration</b> and refer to the numbers used in the key in the <b>product overview</b> section.
	This symbol is intended to draw your special attention to certain points for handling the product.

### 1.3 Product-dependent symbols

#### 1.3.1 Symbols on the product

The following symbols are used on the product:

	Drilling with hammering action (hammer drilling)
	Chiseling
	Chisel positioning
	Protection class II (double-insulated)
/min	Revolutions per minute
$n_0$	Rated speed under no load
$\varnothing$	Diameter
	Direct current (DC)
Li-Ion	Li-ion battery
	<b>Hilti</b> Li-ion battery type series used. Observe the information given in the section headed <b>Intended use</b> .
	The product supports wireless data transmission compatible with iOS and Android platforms.
	Never use the battery as a striking tool.
	Do not drop the battery. Never use a battery that has suffered an impact or is damaged in any other way.

### 1.4 Switching on and off

#### Symbols

	Product is switched on
	Product is switched off

## 2 Safety

### 2.1 General power tool safety warnings

**⚠ WARNING** Read all safety warnings, instructions, illustrations and specifications provided with this power tool. Failure to follow all instructions listed below may result in electric shock, fire and/or serious injury. **Save all warnings and instructions for future reference.**

The term "power tool" in the warnings refers to your mains-operated (corded) power tool or battery-operated (cordless) power tool.

#### Work area safety

- ▶ **Keep work area clean and well lit.** Cluttered or dark areas invite accidents.





- ▶ **Do not operate power tools in explosive atmospheres, such as in the presence of flammable liquids, gases or dust.** Power tools create sparks which may ignite the dust or fumes.
- ▶ **Keep children and bystanders away while operating a power tool.** Distractions can cause you to lose control.

#### Electrical safety

- ▶ **Power tool plugs must match the outlet. Never modify the plug in any way. Do not use any adapter plugs with earthed (grounded) power tools.** Unmodified plugs and matching outlets will reduce risk of electric shock.
- ▶ **Avoid body contact with earthed or grounded surfaces, such as pipes, radiators, ranges and refrigerators.** There is an increased risk of electric shock if your body is earthed or grounded.
- ▶ **Do not expose power tools to rain or wet conditions.** Water entering a power tool will increase the risk of electric shock.
- ▶ **Do not abuse the cord. Never use the cord for carrying, pulling or unplugging the power tool. Keep cord away from heat, oil, sharp edges or moving parts.** Damaged or entangled cords increase the risk of electric shock.
- ▶ **When operating a power tool outdoors, use an extension cord suitable for outdoor use.** Use of a cord suitable for outdoor use reduces the risk of electric shock.
- ▶ **If operating a power tool in a damp location is unavoidable, use a residual current device (RCD) protected supply.** Use of an RCD reduces the risk of electric shock.

#### Personal safety

- ▶ **Stay alert, watch what you are doing and use common sense when operating a power tool. Do not use a power tool while you are tired or under the influence of drugs, alcohol or medication.** A moment of inattention while operating power tools may result in serious personal injury.
- ▶ **Use personal protective equipment. Always wear eye protection.** Protective equipment such as a dust mask, non-skid safety shoes, hard hat or hearing protection used for appropriate conditions will reduce personal injuries.
- ▶ **Prevent unintentional starting. Ensure the switch is in the off-position before connecting to power source and/or battery pack, picking up or carrying the tool.** Carrying power tools with your finger on the switch or energising power tools that have the switch on invites accidents.
- ▶ **Remove any adjusting key or wrench before turning the power tool on.** A wrench or a key left attached to a rotating part of the power tool may result in personal injury.
- ▶ **Do not overreach. Keep proper footing and balance at all times.** This enables better control of the power tool in unexpected situations.
- ▶ **Dress properly. Do not wear loose clothing or jewellery. Keep your hair and clothing away from moving parts.** Loose clothes, jewellery or long hair can be caught in moving parts.
- ▶ **If devices are provided for the connection of dust extraction and collection facilities, ensure these are connected and properly used.** Use of dust collection can reduce dust-related hazards.
- ▶ **Do not let familiarity gained from frequent use of tools allow you to become complacent and ignore tool safety principles.** A careless action can cause severe injury within a fraction of a second.

#### Power tool use and care

- ▶ **Do not force the power tool. Use the correct power tool for your application.** The correct power tool will do the job better and safer at the rate for which it was designed.
- ▶ **Do not use the power tool if the switch does not turn it on and off.** Any power tool that cannot be controlled with the switch is dangerous and must be repaired.
- ▶ **Disconnect the plug from the power source and/or remove the battery pack, if detachable, from the power tool before making any adjustments, changing accessories, or storing power tools.** Such preventive safety measures reduce the risk of starting the power tool accidentally.
- ▶ **Store idle power tools out of the reach of children and do not allow persons unfamiliar with the power tool or these instructions to operate the power tool.** Power tools are dangerous in the hands of untrained users.
- ▶ **Maintain power tools and accessories. Check for misalignment or binding of moving parts, breakage of parts and any other condition that may affect the power tool's operation. If damaged, have the power tool repaired before use.** Many accidents are caused by poorly maintained power tools.
- ▶ **Keep cutting tools sharp and clean.** Properly maintained cutting tools with sharp cutting edges are less likely to bind and are easier to control.
- ▶ **Use the power tool, accessories and tool bits etc. in accordance with these instructions, taking into account the working conditions and the work to be performed.** Use of the power tool for operations different from those intended could result in a hazardous situation.



- ▶ **Keep handles and grasping surfaces dry, clean and free from oil and grease.** Slippery handles and grasping surfaces do not allow for safe handling and control of the tool in unexpected situations.

#### **Battery tool use and care**

- ▶ **Recharge only with the charger specified by the manufacturer.** A charger that is suitable for one type of battery pack may create a risk of fire when used with another battery pack.
- ▶ **Use power tools only with specifically designated battery packs.** Use of any other battery packs may create a risk of injury and fire.
- ▶ **When battery pack is not in use, keep it away from other metal objects, like paper clips, coins, keys, nails, screws or other small metal objects, that can make a connection from one terminal to another.** Shorting the battery terminals together may cause burns or a fire.
- ▶ **Under abusive conditions, liquid may be ejected from the battery; avoid contact. If contact accidentally occurs, flush with water. If liquid contacts eyes, additionally seek medical help.** Liquid ejected from the battery may cause irritation or burns.
- ▶ **Do not use a battery pack or tool that is damaged or modified.** Damaged or modified batteries may exhibit unpredictable behaviour resulting in fire, explosion or risk of injury.
- ▶ **Do not expose a battery pack or tool to fire or excessive temperature.** Exposure to fire or temperature above 130° C (265 °F) may cause explosion.
- ▶ **Follow all charging instructions and do not charge the battery pack or tool outside the temperature range specified in the instructions.** Charging improperly or at temperatures outside the specified range may damage the battery and increase the risk of fire.

#### **Service**

- ▶ **Have your power tool serviced by a qualified repair person using only identical replacement parts.** This will ensure that the safety of the power tool is maintained.
- ▶ **Never service damaged battery packs.** Service of battery packs should only be performed by the manufacturer or authorized service providers.

## **2.2 Hammer safety warnings**

#### **Safety instructions for all operations**

- ▶ **Wear ear protectors.** Exposure to noise can cause hearing loss.
- ▶ **Use auxiliary handle(s), if supplied with the tool.** Loss of control can cause personal injury.
- ▶ **Hold the power tool by insulated gripping surfaces, when performing an operation where the cutting accessory may contact hidden wiring.** Cutting accessory contacting a "live" wire may make exposed metal parts of the power tool "live" and could give the operator an electric shock.

#### **Safety instructions when using long drill bits with rotary hammers**

- ▶ **Always start drilling at low speed and with the bit tip in contact with the workpiece.** At higher speeds, the bit is likely to bend if allowed to rotate freely without contacting the workpiece, resulting in personal injury.
- ▶ **Apply pressure only in direct line with the bit and do not apply excessive pressure.** Bits can bend causing breakage or loss of control, resulting in personal injury.

## **2.3 Additional safety instructions for rotary hammer drill**

#### **Personal safety**

- ▶ Use the product and accessories only when they are in perfect working order.
- ▶ Never tamper with or modify the product or accessories in any way.
- ▶ Use auxiliary handles supplied with the product. Loss of control can cause personal injury.
- ▶ Apply appropriate safety measures at the opposite side of the workpiece in work that involves breaking through. Parts breaking away could fall out and / or fall down causing injury to other persons.
- ▶ Always hold the tool with both hands on the grips provided. Keep the grips clean and dry.
- ▶ Hold the product by the insulated gripping surfaces when performing work in which the accessory tool might come into contact with concealed wiring. If the accessory tool comes into contact with a live wire, metal parts of the power tool can also become live, resulting in an electric shock.
- ▶ Do not touch rotating parts – risk of injury!
- ▶ Wear eye protection, a hard hat and ear protection and suitable respiratory protection while the product is in use.
- ▶ Wear protective gloves when changing the accessory tool. Touching the accessory tool can result in cuts and burns.
- ▶ Wear eye protection. Flying fragments can injure the body and eyes.



- ▶ Dust produced by grinding, sanding, cutting and drilling can contain dangerous chemicals. Some examples are: lead or lead-based paints; brick, concrete and other masonry products, natural stone and other products containing silicates; certain types of wood, such as oak, beech and chemically treated wood; asbestos or materials that contain asbestos. Determine the exposure of the operator and bystanders by means of the hazard classification of the materials to be worked. Implement the necessary measures to restrict exposure to a safe level, for example by the use of a dust collection system or by the wearing of suitable respiratory protection. The general measures for reducing exposure include:
  - ▶ working in an area that is well ventilated,
  - ▶ avoidance of prolonged contact with dust,
  - ▶ directing dust away from the face and body,
  - ▶ wearing protective clothing and washing exposed areas of the skin with water and soap.
- ▶ Take frequent breaks and do physical exercises to improve the blood circulation in your fingers. High vibration during long periods of work can lead to disorders of the blood vessels and nervous system in the fingers, hands and wrists.

### Electrical safety

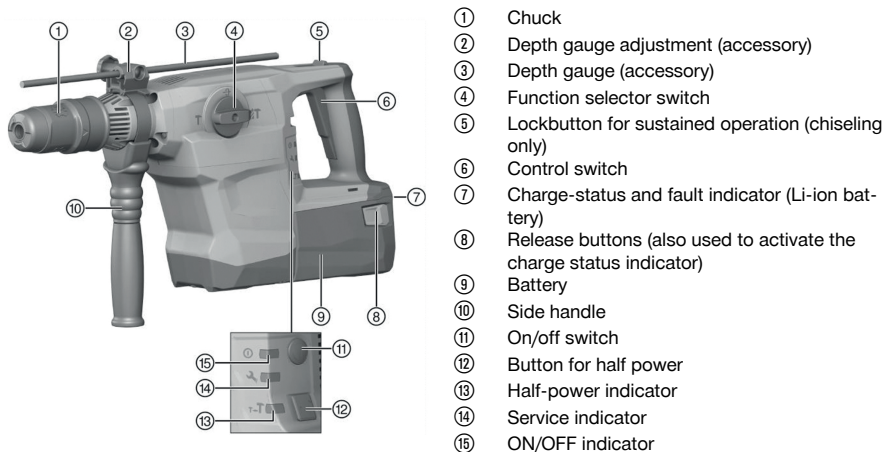
- ▶ Before beginning work, check the working area for concealed electric cables or gas and water pipes. External metal parts of the product could give you an electric shock or cause an explosion if you accidentally damage an electric cable or a gas or water pipe.

### Power tool use and care

- ▶ Switch the product off immediately if the accessory tool jams. The product might twist off-line.
- ▶ Wait until the product has come to a complete stop before you lay it down.

## 3 Description

### 3.1 Product overview



### 3.2 Intended use

The product described is an electrically powered combihammer with pneumatic hammering mechanism. It is designed for drilling in concrete, masonry, wood and metal. The product can also be used for light- to medium-duty chiseling on masonry and surface finishing work on concrete.

- ▶ Use only **Hilti** Li-ion batteries from the B 36 series with this product.
- ▶ Use only the **Hilti** battery chargers from the C4/36 series for these batteries.

#### 3.2.1 Possible misuse

- This product is not suitable for working on hazardous materials.
- This product is not suitable for working in a damp environment.




### 3.3 Undercut anchors

The product is suitable for setting undercut anchors. Use only suitable setting tools. Detailed information on this topic can be obtained at your local **Hilti** Center.

### 3.4 ATC


The product is equipped with the ATC (Active Torque Control) quick-acting electronic cut-out. If the accessory tool sticks or stalls, the product will suddenly pivot about its own axis in the opposite direction. ATC detects this sudden pivoting movement of the product and switches the product off immediately.

 For ATC to function correctly, the product must be free to pivot. After an ATC cut-out, switch the product off and then on again.

### 3.5 Active Vibration Reduction

The tool is equipped with an Active Vibration Reduction (AVR) system which reduces vibration noticeably.

### 3.6 Quick-release chuck (accessory)

The quick-release chuck makes changing accessory tools a quick operation with no additional tools needed. It is suitable for accessory tools with cylindrical or hexagonal shank used in the "With hammering action  mode.

### 3.7 Service indicator

The product is equipped with a service indicator LED.


#### 3.7.1 MMI

Status	Meaning
The <b>Service indicator</b> lights up.	Servicing is due.
The <b>Service indicator</b> flashes.	Have the product repaired by <b>Hilti</b> Service.
The ON/OFF indicator lights up.	The product is switched on
The ON/OFF indicator flashes.	The product is switched off because of a transient fault.
The ON/OFF indicator is off.	The product is switched off.
The <b>Half power</b> indicator lights up.	The product is working at half power.
The <b>Half power</b> indicator is off.	The product is working at full power.

#### 3.7.2 Lithium-ion battery status display

The Li-ion battery state of charge and malfunctions of the power tool are indicated by the display on the Li-ion battery. The Li-ion battery state of charge is displayed after pressing one of the two battery release buttons.

Status	Meaning
4 LEDs light.	State of charge: 75 % to 100 %
3 LEDs light.	State of charge: 50 % to 75 %
2 LEDs light.	State of charge: 25 % to 50 %
1 LED lights.	State of charge: 10 % to 25 %
1 LED blinks.	State of charge: < 10 %
1 LED flashes, the product is not in working order.	The battery has overheated or is completely discharged.
4 LEDs flash, the product is not in working order.	The power tool is overloaded or has overheated.

 Battery state of charge cannot be displayed while the control switch is pressed and for up to 5 seconds after releasing the control switch. If the battery display LEDs blink, please observe the instructions given in the Troubleshooting section.



### 3.8 Items supplied

Combihammer, side handle, operating instructions.

Other system products approved for use with this product can be found at your local **Hilti Store** or online at: [www.hilti.group](http://www.hilti.group) | USA: [www.hilti.com](http://www.hilti.com)

## 4 Technical data

	TE 60-A36
Product generation	04
Rated voltage	36 V
Weight in accordance with EPTA procedure 01	8.1 kg
Single impact energy in accordance with EPTA procedure 05	8.1 J
Hammer drill bits, Ø	12 mm ... 55 mm
Breach bits, Ø	40 mm ... 80 mm
Percussion core bits, Ø	45 mm ... 100 mm
PCM diamond core bits, Ø	42 mm ... 102 mm
Drill bits for metal, Ø	10 mm ... 20 mm
Drill bits for wood, Ø	10 mm ... 32 mm
Chuck	TE-Y

### 4.1 Noise information and vibration values

The sound pressure and vibration values given in these instructions were measured in accordance with a standardized test and can be used to compare one power tool with another. They can also be used for a preliminary assessment of exposure.

The data given represent the main applications of the power tool. However, if the power tool is used for different applications, with different accessory tools, or is poorly maintained, the data can vary. This can significantly increase exposure over the total working period.

An accurate estimation of exposure should also take into account the times when the power tool is switched off, or when it is running but not actually being used for a job. This can significantly reduce exposure over the total working period.

Identify additional safety measures to protect the operator from the effects of noise and/or vibration, for example: maintaining the power tool and accessory tools, keeping the hands warm, organization of work patterns.

Detailed information on the versions of the **EN 62841** standards applied here is to be found in the reproduction of the declaration of conformity 28.

### Noise emission values

	TE 60-A36
Sound pressure level $L_{pA}$	101 dB
Uncertainty for the sound pressure level (KpA)	3 dB
Sound power level $L_{WA}$	109 dB
Uncertainty for the sound power level (KWA)	3 dB

### Total vibration

Hammer drilling in concrete ( $a_{h, HD}$ )	B 36/5.2 Li-Ion	9.0 m/s <sup>2</sup>
Chiseling in concrete ( $a_{h, Cheq}$ )	B 36/5.2 Li-Ion	8.6 m/s <sup>2</sup>
Uncertainty (K)		1.5 m/s <sup>2</sup>



## 5 Operation

---

### 5.1 Preparations at the workplace

---



Switch the product off or remove the battery before making adjustments or changing accessories.

---

Observe the safety instructions and warnings in this documentation and on the product.

#### 5.1.1 Removing the battery

1. Press the release buttons on the battery.
2. Pull the battery out toward the rear.

#### 5.1.2 Fitting the side handle



##### CAUTION

**Risk of injury** Loss of control over the product.

- ▶ Check that the side handle is fitted correctly and tightened securely. Check that the clamping band is engaged in the groove in the product.
- 



##### CAUTION

**Risk of injury.** The depth gauge, if fitted but not used, might hinder the operator.

- ▶ Remove the depth gauge from the product.
- 

1. Release the side handle clamping band by turning the handle grip.
2. Slide the side handle clamping band over the tool holder from the front and into the recess provided.
3. Set the side handle to the desired position.
4. Tighten the side handle clamping band by turning the handle grip.

#### 5.1.3 Fitting the depth gauge (optional)

1. Release the side handle clamping band by turning the handle grip.
2. Slide the depth gauge from the front into the 2 guide holes provided.
3. Secure the side handle by turning the knob until the clamping band is tight.

#### 5.1.4 Setting the power level

---



After the battery is inserted, the product is always set by default to full power.

---

1. Press the "button for half power". The product runs at half power.
  - ▶ The "half power indicator" lights up.
2. Press the "button for half power" again. The product runs at full power.
  - ▶ The "half power indicator" goes out.

#### 5.1.5 Inserting / removing the accessory tool



##### DANGER

**Risk of fire!** Risk of contact between the hot accessory tool and highly inflammable materials.

- ▶ Do not lay the hot accessory tool down on highly inflammable materials.
- 



##### CAUTION

**Risk of injury by the accessory tool!** The accessory tool might be hot or have sharp edges.

- ▶ Wear protective gloves when changing the accessory tool.
- 



The use of unsuitable grease can cause damage to the product. **Use only genuine Hilti grease.**

---



1. Apply a little grease to the connection end of the accessory tool.
  - ▶ Use only genuine **Hilti** grease. Using the wrong grease can result in damage to the product.
2. Push the accessory tool into the chuck as far as it will go (until it engages).
3. After fitting the accessory tool, grip it and pull it in order to check that it is securely engaged.
  - ▶ The product is ready for use.
4. Pull the chuck ring back as far as it will go and remove the accessory tool.

### 5.1.6 Inserting the battery

#### WARNING

**Electrical hazard!** Risk of short circuiting.

- ▶ Before inserting the battery, check to ensure that the battery terminals and the contacts on the combihammer are free from foreign objects.

#### WARNING

**Risk of injury!** Hazard presented by a falling battery.

- ▶ A falling battery may present a risk of injury to yourself and others. Check that the battery is securely seated in the combihammer.

1. Push the battery into the battery holder until it engages with an audible click.
2. Check that the battery is seated securely.

## 5.2 Types of work

#### CAUTION

**Risk of injury** Loss of control over the product.

- ▶ Check that the side handle is fitted correctly and tightened securely. Check that the clamping band is engaged in the groove in the product.

Observe the safety instructions and warnings in this documentation and on the product.

### 5.2.1 Drilling with hammering action (hammer drilling)

1. Set the function selector switch to this symbol:
2. Set the desired power level.
3. Press the drill bit against the work surface.
4. Press the control switch.
  - ▶ The product starts.

### 5.2.2 Drilling without hammer action



Drilling without hammering action is possible when accessory tools with a special connection end are used. Accessory tools of this kind are available from **Hilti**. Alternatively, when the keyless quick-release chuck is fitted, smooth-shank drill bits for wood or steel, for example, can be used to drill without hammering.

- ▶ Set the function selector switch to this symbol:

## 5.3 Chisel positioning

#### CAUTION

**Risk of injury!** Loss of control over the chisel direction.


- ▶ Do not operate the tool when the selector switch is set to “Chisel positioning”. Turn the function selector switch until it engages in the “Chiseling” position.



The chisel can be set to 24 different positions (in 15° increments). This ensures that flat chisels and shaped chisels can always be set to the optimum working position.

1. Set the function selector switch to the “Chisel positioning” position



2. Turn the chisel to the desired position.
3. Set the function selector switch to this symbol:  until it engages.
  - ▶ The product is ready for use.

### 5.3.1 Chiseling

- ▶ Set the function selector switch to the "Chiseling" position .

### 5.3.2 Switch sustained operation on and off



When chiseling, the control switch can be locked in the "on" position.

1. Push the lockbutton for continuous operation forward.
2. Press the control switch fully.
  - ▶ The product then runs in sustained operating mode.
3. Push the lockbutton for continuous operation back.
  - ▶ The product switches off.

## 6 Care and maintenance



### WARNING

#### Risk of injury with battery inserted !

- ▶ Always remove the battery before carrying out care and maintenance tasks!

#### Care of the product

- Carefully remove stubborn dirt.
- Carefully clean the air vents, if present, with a dry, soft brush.
- Use only a slightly damp cloth to clean the housing. Do not use cleaning agents containing silicone as these can attack the plastic parts.
- Use a dry, clean cloth to clean the contacts of the product.

#### Care of the Li-ion batteries

- Never use a battery with clogged air vents. Clean the air vents carefully using a dry, soft brush.
- Avoid unnecessary exposure of the battery to dust and dirt. Never expose the battery to high levels of moisture (e.g. by being dipped in water or left in the rain).  
If a battery has been soaked by moisture, treat it as a damaged battery. Isolate it in a non-flammable container and consult **Hilti** Service.
- Keep the battery free of extraneous oil and grease. Do not permit dust or dirt to accumulate unnecessarily on the battery. Clean the battery with a dry, soft brush or a clean, dry cloth. Do not use cleaning agents containing silicone as these can attack the plastic parts.  
Do not touch the contacts of the battery and do not remove the factory-applied grease from the contacts.
- Use only a slightly damp cloth to clean the housing. Do not use cleaning agents containing silicone as these can attack the plastic parts.

#### Maintenance

- Check all visible parts and controls for signs of damage at regular intervals and make sure that they all function correctly.
- Do not use the product if signs of damage are found or if parts malfunction. Immediately have the product repaired by **Hilti** Service.
- After cleaning and maintenance, install all guards and protective devices and check that they are in full working order.



To help ensure safe and reliable operation, use only genuine Hilti spare parts and consumables. Spare parts, consumables and accessories approved by **Hilti** for use with your product can be found at your **Hilti Store** or online at: [www.hilti.group](http://www.hilti.group)





## 7 Transport and storage of cordless tools and batteries

### Transport

#### CAUTION

#### Accidental starting during transport !

- ▶ Always transport your products with the batteries removed!
- ▶ Remove the battery/batteries.
- ▶ Never transport batteries loose and unprotected. During transport, batteries should be protected from excessive shock and vibration and isolated from any conductive materials or other batteries that may come in contact with the terminals and cause a short circuit. **Comply with the locally applicable regulations for transporting batteries.**
- ▶ Do not send batteries through the mail. Consult your shipper for instructions on how to ship undamaged batteries.
- ▶ Prior to each use and before and after prolonged transport, check the product and the batteries for damage.

### Storage

#### WARNING

#### Accidental damage caused by defective or leaking batteries !

- ▶ Always store your products with the batteries removed!
- ▶ Store the product and the batteries in a cool and dry place. Comply with the temperature limits stated in the technical data.
- ▶ Do not store batteries on the charger. Always remove the battery from the charger when the charging operation has completed.
- ▶ Never leave batteries in direct sunlight, on sources of heat, or behind glass.
- ▶ Store the product and batteries where they cannot be accessed by children or unauthorized persons.
- ▶ Prior to each use and before and after prolonged storage, check the product and the batteries for damage.

## 8 RoHS (Restriction of Hazardous Substances)

Click on the link to go to the table of hazardous substances: [qr.hilti.com/r8377057](http://qr.hilti.com/r8377057).

There is a link to the RoHS table, in the form of a QR code, at the end of this document.

## 9 Troubleshooting

If the trouble you are experiencing is not listed in this table or you are unable to remedy the problem by yourself, please contact **Hilti Service**.

### 9.1 Troubleshooting

Trouble or fault	Possible cause	Action to be taken
No hammering action.	The product is too cold.	<ul style="list-style-type: none"> <li>▶ Bring the product into contact with the working surface, switch it on and allow it to idle. If necessary, repeat the procedure until the hammering mechanism begins to operate.</li> </ul>
The battery runs down more quickly than usual.	Battery condition is not optimal.	<ul style="list-style-type: none"> <li>▶ Replace the battery.</li> </ul>
The battery does not engage with an audible "double click".	The retaining lugs on the battery are dirty.	<ul style="list-style-type: none"> <li>▶ Clean the retaining lugs and refit the battery.</li> </ul>
The drive spindle does not rotate.	The permissible operating temperature of the product's electronics has been exceeded.	The ON/OFF indicator flashes. <ul style="list-style-type: none"> <li>▶ Allow the product to cool down.</li> </ul>
	Battery is discharged.	<ul style="list-style-type: none"> <li>▶ Change the battery and charge the empty battery.</li> </ul>




Trouble or fault	Possible cause	Action to be taken
Product switches off automatically.	The overload protection system is active.	The ON/OFF indicator flashes. ▶ Release the control switch. Allow the product to cool down. Press the control switch again. Reduce the load on the tool.
Product switches off if drill bit jams.	The electronic safety shut-down has tripped to avoid further jamming.	▶ Release the drill bit.
The combihammer or the battery gets very hot.	Electrical fault.	▶ Immediately switch off the product. Remove the battery and keep it under observation. Allow it to cool down. Contact <b>Hilti</b> service.
	The product is overloaded (application limit exceeded).	▶ Select a product that is suitable for the intended purpose.
No response from the LEDs on the battery.	The battery is not fully inserted.	▶ Push the battery in until it engages with a double click.
	Battery is discharged.	▶ Change the battery and charge the empty battery.
	The battery is too hot or too cold.	▶ Bring the battery to the recommended working temperature.
1 LED on the battery flashes.	Battery is discharged.	▶ Change the battery and charge the empty battery.
	The battery is too hot or too cold.	▶ Bring the battery to the recommended working temperature.
4 LEDs on the battery flash.	Product momentarily overloaded.	▶ Release the control switch and then press it again.
	Protection against overheating.	▶ Allow the product to cool down and clean the air vents.
Product does not develop full power.	The control switch is not fully pressed.	▶ Press the control switch as far as it will go.
	The half-power button is engaged.	▶ Press the "half-power" button.
Drill bit does not rotate.	The function selector switch is not engaged or is in the "Chiseling" position <b>T</b> or the "Chisel positioning" position <b>↺</b> .	▶ With the motor at a standstill, set the function selector switch to the "Hammer drilling" <b>HT</b> position.
The insert tool cannot be released from the chuck.	The chuck is not pulled back fully.	▶ Pull the chuck back as far as it will go and remove the accessory tool.
	The side handle is not fitted correctly.	▶ Disengage the side handle and refit it correctly so that the clamping band and side handle engage in the recess.
Product does not start.	The electronic restart interlock is activated after an interruption in the electric supply.	▶ Switch the product off and then on again.
The service indicator lights.	Service limit time reached.	▶ Have the product repaired by <b>Hilti</b> Service.
The service indicator blinks.	The product is faulty.	▶ Have the product repaired by <b>Hilti</b> Service.
The ON/OFF indicator flashes.	Product momentarily overloaded.	▶ Release the control switch and then press it again.
	Protection against overheating.	▶ Allow the product to cool down and clean the air vents.



## 10 Disposal

---

 Most of the materials from which **Hilti** tools and appliances are manufactured can be recycled. The materials must be correctly separated before they can be recycled. In many countries, your old tools, machines or appliances can be returned to **Hilti** for recycling. Ask **Hilti** Service or your Hilti representative for further information.



- ▶ Do not dispose of power tools, electronic equipment or batteries as household waste!
- 

## 11 Manufacturer's warranty

---

- ▶ Please contact your local **Hilti** representative if you have questions about the warranty conditions.



**1 מידע על הוראות הפעלה**

**1.1 על הוראות הפעלה אלו**

- **אזהרה!** לפני השימוש במוצר יש לקרוא ולהבין את הוראות הפעלה המצורפות למוצר, כולל ההערות, הוראות הבטיחות והאזהרות, האיורים והמפרטים. יש ללמוד במיוחד את כל הוראות הבטיחות, האזהרות, המפרטים והפונקציות השונות של המוצר. התעלמות מהנחיה זו מובילה לסכנת התחשמלות, שריפה ופציעות קשות. שמור את הוראות הפעלה, כולל כל הוראות הבטיחות והאזהרות לצורך שימוש בעתיד.
- המוצרים של **HILTI** מיועדים למשתמש המקצועי, ורק אנשים מורשים, שעברו הכשרה מתאימה, רשאים לתפעל, לתחזק ולתקן אותם. אנשים אלה חייבים ללמוד באופן מיוחד את הסכנות האפשריות. המוצר המתואר והעדרים שלו עלולים להיות מסוכנים כאשר אנשים שלא עברו הכשרה מתאימה משתמשים בהם באופן לא מקצועי או כאשר משתמשים בהם שלא בהתאם לייעוד.
- הוראות הפעלה המצורפות נכתבו בהתאם לידיעות הטכנולוגיות במועד השליחה לדפוס. את הגרסה העדכנית ביותר אפשר למצוא תמיד בדף המוצר של Hilti. כדי להגיע לשם, יש לטרוק את קוד ה-QR בהוראות הפעלה האלה, מסומן בסמל .
- אם אתה מעביר את המוצר לאדם אחר, מסור לו גם את הוראות הפעלה האלה.

**1.2 הסבר הסימנים**

**1.2.1 אזהרות**

האזהרות מזהירות מפני סכנות בשימוש במוצר. במדריך זה מופיעות מילות המפתח הבאות:

**⚠ סכנה**

**סכנה!**

⬅ מציינת סכנה מיידית, המובילה לפציעות גוף קשות או למוות.

**⚠ אזהרה**

**אזהרה!**

⬅ מציינת סכנה אפשרית, שיכולה להוביל לפציעות גוף קשות או למוות.







**⚠ זהירות**

**זהירות!**

⬅ מציינת מצב שעלול להיות מסוכן ולהוביל לפציעות גוף או לנזקים לרכוש.

**1.2.2 סמלים בהוראות הפעלה**

הסמלים הבאים מופיעים בהוראות הפעלה אלה:

שים לב להוראות הפעלה	
הנחיות לשימוש ומידע שימושי נוסף	
טיפול נכון בחומרים למיחזור	
אין להשליך לפסולת הביתית מכשירים חשמליים וסוללות	
Hilti סוללת ליתיום-יון	
Hilti מטען	

**1.2.3 סמלים באיורים**

הסמלים הבאים משמשים באיורים:

2	מספרים אלה מפנים לאיור המתאים בתחילת הוראות הפעלה אלה.
3	המספרים באיורים מפנים לשלבי עבודה חשובים או לרכיבים שחשובים לשלבי העבודה. שלבי עבודה אלה או רכיבים אלה מודגשים בטקסט במספרים מתאימים, לדוגמה (3).
11	מספרי הפריטים מופיעים באיור <b>סקירה</b> ותואמים את המספרים במקרא בפרק <b>סקירת המוצר</b> .



סימן זה אמור לעורר את תשומת לבך המיוחדת בעת השימוש במוצר.



### 1.3 סמלים התלויים בדגם המוצר

#### 1.3.1 סמלים על המוצר

הסמלים הבאים מופיעים על המוצר:

	קידוח עם הלימה
	חציבה
	מיקום האזמל
	דירוג הגנה II (בידוד כפול)
	סיבובים לדקה
	מהירות סרק נקובה
	קוטר
	זרם ישר
	סוללת ליתיום-יון
	סדרת דגמי סוללות ליתיום-יון של Hilti שבשימוש. שים לב לנתונים בפרק שימוש בהתאם לייעוד.
	המוצר תומך בתעבורת נתונים אלחוטית, המתאימה לשימוש עם פלטפורמות iOS ו-Android.
	לעולם אין להשתמש בסוללה כפטיש.
	אין להפיל את הסוללה. אין להשתמש בסוללה שנחבטה או שניזוקה באופן אחר.

### 1.4 הפעלה/כיבוי

#### סמלים

המוצר מופעל	
המוצר כבוי	

## 2 בטיחות

### 2.1 הוראות בטיחות כלליות לכלי עבודה חשמליים

**⚠ אזהרה קרא את כל הוראות הבטיחות, ההנחיות, האיומים וההתנאים הטכניים המצורפים לכלי העבודה החשמלי. אי ציות להנחיות עלול להוביל להתחשמלות, לשרפה ו/או לפציעות קשות.**

**שמור את כל הוראות הבטיחות וההנחיות לעינין בעתיד.**

המונח "כלי עבודה חשמלי" המשמש בהוראות הבטיחות מתייחס לכלי עבודה חשמליים המחוברים לרשת החשמל (עם כבל חשמל) או לכלי עבודה חשמליים המופעלים באמצעות סוללה נטענת (ללא כבל חשמל).

#### בטיחות במקום העבודה

- ◀ **שמור על אזור העבודה שלך נקי ודאג לתאורה מספקת.** חוסר סדר או תאורה לקויה במקום העבודה עלולים לגרום לתאונות.
- ◀ **אין להפעיל את כלי העבודה החשמלי בסביבה שקיימת בה סכנת פיצוץ או שיטנם בה נוזלים, גדים או אבק דליקים.** כלי עבודה חשמליים יוצרים ביצקות, שעלולים להצית את האבק או האדים.
- ◀ **הרחק ילדים ואנשים אחרים מכלי העבודה החשמלי במהלך השימוש בו.** אם דעתך תוסח אתה עלול לאבד את השליטה במכשיר.



**בטיחות בחשמל**

- ◀ **תקע החשמל של כלי העבודה החשמלי חייב להתאים לשקע החשמל. אסור לשנות בשום אופן את תקע החשמל. אל תשתמש בשקע מתאם ביחד עם כלי עבודה חשמליים הכוללים הגנת הארקה.** שימוש בתקעים חשמליים שלא עברו אינן ושמעתי חשמל מתאימים מפחית את הסיכון להתחשמלות.
- ◀ **מנע מגע של הגוף בשטחים מוארקים כגון צינורות, גופי חימום, תנורים ומקררים.** קיימת סכנה גבוהה להתחשמלות כאשר הגוף שלך מוארק.
- ◀ **הרוק כלי עבודה חשמליים מגשם או רטיבות.** חדירת מים לכלי העבודה החשמלי מגדילה את הסיכון להתחשמלות.
- ◀ **אל תשתמש בכלי החשמל למטרות שלא לשמן הוא נועד, לדוגמה: אל תרים את כלי העבודה החשמלי באמצעות הכבל ואל תנסה לנתק את התקע משקע החשמל במשיכה מהכבל.** הרוק את הכבל מחום, שמן, פינות חדות או מחלקים נעים. כבלים שנידוקו או שהסתבכו בחלקים אחרים מגדילים את הסיכון להתחשמלות.
- ◀ **כאשר אתה עובד עם כלי העבודה החשמלי בחוץ, השתמש רק בכבל מאריך המיועד לשימוש חיצוני.** שימוש בכבל מאריך המתאים לשימוש חיצוני מפחית את הסיכון להתחשמלות.
- ◀ **אם לא ניתן להימנע משימוש בכלי העבודה החשמלי בסביבה לחה, השתמש במסר פחת.** השימוש במסר פחת מפחית את הסיכון להתחשמלות.

**בטיחות של אנשים**

- ◀ **היה ערני, שים לב למה שאתה עושה, ופעל בתבונה כאשר אתה עובד עם כלי עבודה חשמלי.** אל תפעיל כלי עבודה חשמליים כשאתה עייף או תחת השפעת סמים, אלכוהול או תרופות. די ברגע אחד של חוסר תשומת-לב בדמן השימוש בכלי העבודה החשמלי כדי לגרום פציעות קשות.
- ◀ **לבש תמיד ציוד מגן ומשקפי מגן.** לבישת ציוד מגן אישי, כגון מסכת אבק, נעלי בטיחות מונעות החלקה, קסדת מגן או מגני שמיעה - בהתאם לסוג השימוש בכלי העבודה החשמלי - מקטינה את הסיכון לפציעות.
- ◀ **מנע הפעלה בשוגג.** ודא שכלי העבודה החשמלי כבוי לפני שאתה מחבר אותו לאספקת החשמל ו/או לפני שאתה מחבר את הסוללה ולפני הרמתו. אל תניח את אצבעך על המתג בדמן שאתה נושא את המכשיר ואל תחבר אותו לאספקת החשמל כאשר הוא מופעל, אחרת עלולות להיגרם תאונות.
- ◀ **הרוק כלי כוונות או מפתחות ברגים לפני שאתה מפעיל את כלי העבודה החשמלי.** כלי עבודה או מפתחות הנמצאים בקרבת חלקים מסתובבים עלולים לגרום פציעות.
- ◀ **הימנע מתנוחות גוף לא נכונות.** עמוד באופן יציב ושומר תמיד על שיווי משקל. כך תוכל לשלוט טוב יותר בכלי העבודה החשמלי במצבים לא צפויים.
- ◀ **לבש בגדים מתאימים.** אל תלבש בגדים רחבים או תכשיטים. הרוק את השער, הבגדים וכפפות מחלקים נעים. בגדים רופפים, תכשיטים ושיער ארוך עלולים להיתפס בחלקים נעים.
- ◀ **כאשר ניתן להתקיין התקני שאיבת אבק ולכידה יש לוודא שהם מחוברים לחשמל, ויש להקפיד להשתמש בהם בצורה נכונה.** שימוש בהתקין שאיבת אבק מקטין את הסכנות הנובעות מהאבק.
- ◀ **אל תהיה שאנן בנושאי בטיחות ואל תתעלם מהוראות בטיחות של כלי עבודה חשמליים, גם אם שהשתמשת במכשיר פעמים רבות ואתה מכיר אותו היטב.** התנהגות רשלנית עלולה להוביל לפציעות קשות בתוך שניות.

**שימוש וטיפול בכלי העבודה החשמלי**

- ◀ **אל תפעיל עומס רב מדי על המכשיר.** השתמש בכלי העבודה החשמלי המתאים לעבודה שאתה מבצע. כלי העבודה החשמלי המתאים מבטיח לך עבודה טובה ובטוחה יותר בתחום ההספק הנקוב.
- ◀ **אל השתמש בכלי העבודה אם המתג שלו אינו תקין.** כלי עבודה חשמלי שלא ניתן עוד להפעיל או לכבות אותו מהווה סכנה ויש לתקנו.
- ◀ **נתק את תקע החשמל מהשקע ו/או הסר את הסוללה לפני שאתה מבצע כוונות במכשיר, מחליף כלים או לאחר שאתה מפסיק לעבוד עם המכשיר.** אמצעי זהירות זה מונע הפעלה בשוגג של כלי העבודה החשמלי.
- ◀ **שמור כלי עבודה חשמליים שאינם בשימוש הרוק מהישג ידם של ילדים.** אל תאפשר לאנשים שאינם יודעים כיצד להשתמש במכשיר או שלא קראו את ההוראות להשתמש במכשיר. כלי עבודה חשמליים הם מסוכנים כאשר משתמשים בהם אנשים חסרי ניסיון.
- ◀ **טפל בכלי עבודה חשמליים ובאביזרים בהקפדה.** בדוק אם החלקים הנעים פועלים בצורה חלקה ואינם נתקעים, אם ישנם חלקים שבורים או מקולקלים המשבשים את הפעולה התקינה של כלי העבודה החשמלי. לפני השימוש במכשיר דאג לתיקון חלקים לא תקינים. תאונות רבות נגרמו עקב תחזוקה לקויה של כלי עבודה חשמליים.
- ◀ **שמור על כלי החיתוך חדים ונקיים.** כלי חיתוך מטופלים היטב, שלהביהם חדים נתקעים פחות וקלים יותר לתפעול.
- ◀ **השתמש בכלי העבודה החשמלי, באביזרים, בכלי העבודה הנוספים וכן הלאה בהתאם להוראות אלה.** התחשב בתנאי העבודה ובפעולה שעליך לבצע. שימוש בכלי העבודה החשמלי למטרות אחרות מאלה שלשמן הוא מיועד עלול להיות מסוכן.
- ◀ **שמור על ידיות ואזורים אחיזה נקיים מלכלוך משומן ומגריז.** ידיות ואזורים אחיזה חלקים אינם מאפשרים תפעול בטוח ושליטה טובה בכלי העבודה החשמלי במצבים לא צפויים.

**שימוש וטיפול בכלי עבודה נטענים**

- ◀ **טען את הסוללות בל בטיחות עם ההנחיות של היצרן.** טעינה של סוללה במטען המיועד לטעינה של סוללות מסוג אחר עלולה לגרום לשרפה.
- ◀ **השתמש לשם כך רק בסוללות המתאימות לכלי העבודה החשמלי.** שימוש בסוללות אחרות עלול לגרום לשרפות.
- ◀ **שמור סוללות שאינן בשימוש הרוק ממנהיך נייר משרדיים, ממטבעות, מפתחות, מסמרים, ברגים או חפצים מתכתיים קטנים אחרים שיכולים לגשר בין הצינורים.** קצר בין מגעי הסוללה עלול לגרום לכויית או לשרפה.



- ◀ שימוש שגוי עלול לגרום לזליפת נוזלים מהסוללה. אל תיגע בנוזלים אלה. אם נגעת בהם במקרה, שטוף את האזור במים. אם הנוזל נוגע בעיניים, פנה לרופא. נודל סוללות שדלף עלול לגרום לגירויים בעור ולכוויות.
- ◀ אין להשתמש בסוללה ששונתה או שניזוקה. סוללות שניזוקו או שנערכו בהן שינויים עשויות להגיב בצורה לא צפויה ולגרום לשרפה, לפיצוץ ולפציעות.
- ◀ אין לחשוף סוללות לאש או לטמפרטורות גבוהות. אש או טמפרטורות גבוהות מ-130°C (265°F) עלולות לגרום לפיצוץ.
- ◀ ציית לכל ההנחיות הנוגעות לטעינה, ואף פעם אל תטען את הסוללה או את הכלי עם הסוללה בסביבה שהטמפרטורה בה נמצאת מחוץ לטווח המצוין בהוראות ההפעלה. טעינה שגויה או טעינה בטמפרטורה שנמצאת מחוץ לטווח המצוין בהוראות ההפעלה עלולה להרוס את הסוללה ולהגביר את הסיכון לשרפה.

#### שירות

- ◀ דאג לתיקון כלי העבודה החשמלי שלך רק בידי טכנאים מוסמכים, המשתמשים בחלקי חילוף מקוריים בלבד. כך תבטיח שמירה על בטיחות העבודה במכשיר.
- ◀ אל תטפל בעצמך בסוללות שניזוקו. רק היצרן או מעבדה מורשית מטעמו רשאים לטפל בסוללות.

## 2.2 הוראות בטיחות לפטישונים

### הנחיות בטיחות לכל העבודות

- ◀ השתמש במגני שמיעה. רעש חזק עלול לפגוע בשמיעה.
- ◀ השתמש בידידות האחידה הנוספות המוצרות למכשיר. אובדן השליטה במכשיר עלול לגרום לפציעות.
- ◀ כאשר אתה מבצע עבודות שבהן כלי העבודה עלול לפגוע בקווי חשמלי מוסתרים אחוד במכשיר במקומות האחידה המבודדים, מגע בקווים המוליכים זרם עלול להעביר זרם גם לחלקים מתכתיים במכשיר שלך ולגרום להתחשמלות.

### הנחיות בטיחות לשימוש במקדחים ארוכים

- ◀ התחל כל קידוח בסל"ד נמוך, כשהמקדח נוגע בחלק שבעבודה. קידוח בסל"ד גבוה יותר עשוי לגרום למקדח להתעקם מטעם כאשר הוא מסתובב בחופשיות ללא מגע בחלק שבעבודה ולגרום לפציעות.
- ◀ דחף את המקדח רק בכיוון האורכי ואלא הפעלת לחץ מופרז. המקדחים עשויים להתעקם ועקב כך להישבר או לגרום לאובדן שליטה ולפציעות.

## 2.3 הוראות בטיחות נוספות לפטישון

### בטיחות של אנשים

- ◀ השתמש במוצר ובאביזרים רק בתנאי שהם נמצאים במצב טכני מושלם.
- ◀ אל תבצע שום אופן שינויים או מניפולציות במוצר או באביזרים.
- ◀ השתמש בידידות העדר המוצרות למוצר. אובדן שליטה עלול לגרום לפציעות.
- ◀ בעבודות פריצה יש לאבטח את האזור בצד הנגדי של מקום העבודה שלך. חומרים מעבודות הפריצה עשויים ליפול ולפצוע אנשים אחרים.
- ◀ אחז את המוצר היטב תמיד בשיי ידיות האחידה שלו. שמור על ידידות האחידה נקיות ויבשות.
- ◀ כאשר אתה מבצע עבודות שבהן האביזר המחובר עלול לפגוע בקווי חשמלי מוסתרים אחוד במוצר במקומות האחידה המבודדים, מגע בקווים המוליכים זרם עלול להעביר זרם גם לחלקים מתכתיים במכשיר שלך ולגרום להתחשמלות.
- ◀ אין לגעת בחלקים מסתובבים – סכנת פציעה!
- ◀ במהלך השימוש במוצר לבש מגני עיניים, קסדת הגנה, מגני שמיעה ומסכת נשימה מתאימה.
- ◀ לבש נעלי בטיחות בעת החלפת כלי. מגע בכלי עלול לגרום לפציעות ולכוויות.
- ◀ השתמש במגני עיניים. שבבי חומר שניתדים עלולים לפצוע את הגוף והעיניים.
- ◀ אבק שנוצר במהלך ליטוש, השחזה, חיתוך או קידוח עלול להכיל כימיקלים מסוכנים. להלן כמה דוגמאות: עופרת או אצבעים על בסיס עופרת; לבנים, בטון וחומרי קיר אחרים, אבן טבעית ומוצרים אחרים המכילים סיליקט; עצים מסוימים, כגון אלון, בוק ועץ שעבר טיפול כימי; אסבסט או חומרים המכילים אסבסט. יש למדוד את חשיפת המשתמש והאנשים בסביבה על פי דירוג הסכנה של החומרים שבהם עובדים. נקט את האמצעים הדרושים כדי לשמור את החשיפה ברמה בטוחה, לדוגמה שימוש במערכות שאיבת אבק או לבישת מסכת נשימה מתאימה. להלן רשימה של אמצעים כלליים להפחתת החשיפה:
  - ◀ עבודה באזור מאוורר היטב.
  - ◀ הימנעות ממגע ממושך עם האבק.
  - ◀ סילוק האבק מהפנים והגוף.
  - ◀ לבישת ביגוד מגן ושיטפת אזורים חשופים במים וסבון.
- ◀ ערוך הפסקות תכופות ותרגילים לשיפור זרימת הדם לאצבעות. בעבודה ממושכת הרעידות החזקות מהמכשיר עשויות לגרום להפרעות בכלי הדם או במערכת העצבים של האצבעות, כפות הידיים או שורשי כף היד.

### בטיחות בחשמל

- ◀ לפני תחילת העבודה בדוק אם ישנם כבלי חשמל, צינורות גז או מים נטרים. חלקים מתכתיים חיצוניים על המכשיר עלולים לגרום התחשמלות או פיצוץ כאשר פוגעים בכבל חשמל, בצינור גז או מים.

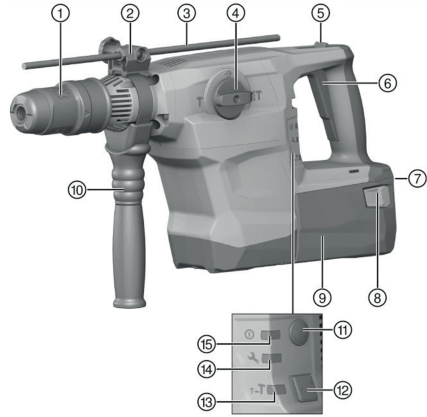
### טיפול ושימוש קפדניים בכלי עבודה חשמליים

- ◀ כבה את המוצר מיד אם הכלי נתקע. המכשיר עשוי לסטות הצדה.
- ◀ המתן עד לעצירה מלאה של המוצר לפני שאתה מניח אותו.



**3.1 סקירת המוצר**

- ① תפסנית
- ② כוונון מעצור עומק (אביזר)
- ③ מעצור עומק (אביזר)
- ④ בורר פעולות
- ⑤ לחצן עבודה רציפה (חציבה בלבד)
- ⑥ מתג הפעלה
- ⑦ חיווי רמת טעינה ותקלות (סוללת ליתיום-יון)
- ⑧ לחצני שחרור עם פונקציה נוספת של חיווי מצב טעינה
- ⑨ סוללה
- ⑩ ידית אחיזה צדית
- ⑪ מתג הפעלה/כיבוי
- ⑫ לחצן חצי עוצמה
- ⑬ חיווי חצי עוצמה
- ⑭ חיווי טיפולים
- ⑮ חיווי הפעלה/כיבוי



**3.2 שימוש בהתאם ליעוד**

המוצר המתואר זהו פטישון חשמלי משולב בעל מערכת הלימה פניאומטית. הוא מיועד לעבודות קידוח בבטון, קירות לבנים, עץ ומתכת. ניתן להשתמש במוצר גם לעבודות חציבה קלות עד בינוניות בקירות ולטיפול משלים בבטון.

- ◀ השתמש עבור מוצר זה רק בסוללות ליתיום יון של Hilti מסדרת הדגמים B 36.
- ◀ השתמש עבור סוללה זו רק במטענים של Hilti מהסדרה C4/36.

**3.2.1 שימוש שגוי אפשרי**

- מוצר זה אינו מיועד לעבודה בחומרים המהווים סכנה בריאותית.
- מוצר זה אינו מיועד לעבודה בסביבה לחה.

**3.3 עוגן סמיי**

המכשיר מתאים להחדרת עוגנים סמייים. השתמש רק בכלי החדרה מתאימים! מידע נוסף על כך תוכל לקבל ממשוק Hilti.

**3.4 ATC**

המוצר מצויד בפונקציית כיבוי אלקטרוני מהיר (ATC (Active Torque Control). אם הכלי המחובר נחסם או נתקע, המוצר יתחיל להסתובב בפתאומיות בצורה לא מבוקרת לכיוון ההפוך. ATC מזהה את תנועת הסיבוב הפתאומית הזו של המוצר ומכבה מיד את המוצר.

לצורך תפקוד תקין המוצר צריך להיות מסוגל להסתובב. לאחר הכיבוי המהיר, כבה את המוצר והפעל אותו מחדש.

**3.5 Active Vibration Reduction**

המוצר מצויד במערכת (AVR) Active Vibration Reduction, שמפחיתה את הרעידות באופן משמעותי.

**3.6 תפסנית מהירה (אביזר)**

התפסנית המהירה מאפשרת החלפה מהירה של כלי ללא צורך בכלי עבודה. היא מיועדת לכלי עבודה עם קנה צילינדר או משושה, המופעלים במצב "עם הלימה T".

**3.7 חיווי טיפולים**

המוצר מצויד בנורית חיווי לטיפולים.





מצב	משמעות
חיווי הטיפולים דולק.	הגיע מועד הטיפול במכשיר.
חיווי הטיפולים מהבהב.	פנה לשירות של Hilti כדי לתקן את המוצר.
חיווי הפעלה/כיבוי דולק.	המוצר מופעל
חיווי הפעלה/כיבוי מהבהב.	המוצר כבוי עקב תקלה זמנית.
חיווי הפעלה/כיבוי כבוי.	המוצר כבוי.
חיווי חצי עוצמה דולק.	המוצר פועל בחצי עוצמה.
חיווי חצי עוצמה כבוי.	המוצר פועל בעוצמה מלאה.

**3.7.2 תצוגת סוללת הליתיום-יון**

נוריות החיווי של סוללות הליתיום-יון מציגות את רמת הטעינה של סוללת הליתיום-יון וכן תקלות במכשיר. לאחר לחיצה על אחד משני לחצני השחרור של הסוללה תוצג רמת הטעינה של סוללת הליתיום-יון.

מצב	משמעות
4 נוריות מהבהבות.	רמת טעינה: 75% עד 100%
3 נוריות מהבהבות.	רמת טעינה: 50% עד 75%
2 נוריות מהבהבות.	רמת טעינה: 25% עד 50%
נורית 1 מאירה.	רמת טעינה: 10% עד 25%
נורית 1 מהבהבת.	רמת טעינה: > 10%
נורית 1 מהבהבת, המוצר אינו מוכן לעבודה.	הסוללה חמה מדי או נפרקה לגמרי.
4 נוריות מהבהבת, המוצר אינו מוכן לעבודה.	עומס יתר או התחממות יתר של המכשיר.

בזמן שמתג הפעלה לחוץ וכן במשך 5 השניות הראשונות לאחר שחרור מתג הפעלה לא ניתן לברר את מצב הטעינה של הסוללה.  
 אם נוריות החיווי של הסוללה מהבהבות, ראה בבקשה ההערות בפרק תיקון תקלות.

**3.8 מפרט אספקה**

פטישון משולב, ידית אחיזה צדית, הוראות הפעלה.  
 מוצרים נוספים המאושרים עבור המוצר שלך תמצא ב-Hilti Store או באינטרנט בכתובת: [www.hilti.group](http://www.hilti.group) | ארה"ב: [www.hilti.com](http://www.hilti.com)

**4 נתונים טכניים**

TE 60-A36	
04	דור המוצר
36 וולט	מתח נקוב
8.1 ק"ג	משקל בהתאם להליך EPTA 01
8.1 ג'אול	אנרגיית הלימה בודדת לפי תהליך EPTA מס' 05
12 מ"מ ... 55 מ"מ	Ø מקדח לפטישון
40 מ"מ ... 80 מ"מ	Ø מקדח פריצה
45 מ"מ ... 100 מ"מ	Ø מקדח כוס להלימה
42 מ"מ ... 102 מ"מ	Ø מקדח כוס יהלום PCM
10 מ"מ ... 20 מ"מ	Ø מקדח מתכת
10 מ"מ ... 32 מ"מ	Ø מקדח עץ
TE-Y	תפסנית

**4.1 מידע על רעשים וערכי רעידות**

ערכי לחץ הקול והרעידות המצוינים בהוראות אלה נמדדו בהתאם לנוהל המדידה התקני, וניתן להשתמש בהם לצורך השוואה בין כלי עבודה חשמליים. הם מתאימים גם להערכה זמנית של העומסים.



הנתונים המצוינים תקפים לשימושים העיקריים בכלי העבודה החשמלי. אולם אם משתמשים בכלי העבודה החשמלי לשימושים אחרים, בשילוב אביזרים אחרים או אם המכשיר אינו עובר תחזוקה מספקת, הנתונים עשויים להשתנות. בעקבות זאת פריסת העומסים למשך זמן העבודה כולו עשויה להיות גבוהה באופן משמעותי.

לאורך הערכה מדויקת של העומסים יש לקחת בחשבון גם את הזמנים שבהם כלי העבודה כבוי או שבהם הוא אמנם פועל אך אינו בשימוש בפועל. בעקבות זאת פריסת העומסים למשך זמן העבודה כולו עשויה להיות נמוכה באופן משמעותי.

יש לקבוע הנחיות בטיחות נוספות להגנה על המשתמש מפני ההשפעות של קול ו/או רעידות, כגון: תחזוקה של כלי העבודה החשמלי ושל כלי העבודה המחוברים, שמירה על ידיים חמות, ארגון תהליכי העבודה.

מידע מפורט על גרסאות תקני **EN 62841** הישימים תמצא בתמונת הצהרת התאימות 29.



### ערכי רעש

<b>TE 60-A36</b>	
101 dB	רמת לחץ קול $L_{pA}$
3 dB	אי-ודאות ברמת לחץ קול (KpA)
109 dB	רמת הספק קול $L_{WA}$
3 dB	אי-ודאות ברמת הספק הקול (KWA)

### ערכי רעידות כוללים

9.0 מ' / שני <sup>2</sup>	<b>B 36/5.2 Li-Ion</b>	קידוח בהלימה בבטון ( $a_{h, HD}$ )
8.6 מ' / שני <sup>2</sup>	<b>B 36/5.2 Li-Ion</b>	חציבה בבטון ( $a_{h, Chg}$ )
1.5 מ' / שני <sup>2</sup>		אי ודאות (K)

### 5 תפעול

#### 5.1 הכנה לעבודה

כבה את המוצר או הסר את הסוללה לפני שאתה מבצע כווננים במכשיר או מחליף אביזרים.

ציית להוראות הבטיחות והאזהרות שבתייעוד זה ולא להאמין המצוינות על המוצר.

#### 5.1.1 הסרת הסוללה

1. לחץ על לחצני השחרור של הסוללה.
2. משוך את הסוללה אחורה והחוצה.

#### 5.1.2 התקנת ידית האחיזה הצדית

##### ⚠️ זהירות

**סכנת פציעה** אובדן השליטה במוצר.

◀ ודא כי ידית האחיזה הצדית מותקנת בצורה נכונה ומהודקת היטב. ודא שחבק הידוק נמצא בחריץ המיועד לו במוצר.

##### ⚠️ זהירות

**סכנת פציעה!** הפרעה למשתמש כאשר מעצור העומק מותקן אך אינו בשימוש.  
 ▶ נתק את מעצור העומק מהמוצר.

1. סובב את הידית כדי לשחרר את המחזיק (חבק) של ידית האחיזה.
2. דחף את המחזיק (חבק) מלפנים על פני התפסנית עד לחריץ המיועד.
3. מקם את יחידת האחיזה הצדית במיקום המבוקש.
4. סובב את הידית כדי למתוח את המחזיק (חבק).

#### 5.1.3 התקנת מעצור עומק (אופציונלי)

1. סובב את הידית כדי לשחרר את המחזיק (חבק) של ידית האחיזה.
2. דחף את מעצור העומק מלפנים אל 2 חורי ההולכה הייעודיים.
3. סובב את המחזיק (חבק) של ידית האחיזה הצדית כדי להדק אותה.



לאחר חיבור הסולל המוצר יעבוד בדרגת עוצמה מלאה.



1. לחצן על "לחצן חצי עוצמה". המוצר יעבור לעבוד בחצי עוצמה.
  - ◀ "חיווי חצי עוצמה" יאיר.
2. לחץ שוב על "לחצן חצי עוצמה". המוצר עבור לעבוד בעוצמה מלאה.
  - ◀ "חיווי חצי עוצמה" יכבה.

### 5.1.5 הכנסה / הוצאה של כלי

#### ⚠ סכנה

**סכנת שרפה** סכנה בעת מגע בין כלים חמים וחומרים דליקים. אל תניח כלי חם על חומרים דליקים מאוד.

#### ⚠ זהירות

**סכנת פציעה מהאבזר המחובר!** האבזר המחובר עשוי להיות חם מאוד או חד. לבש כפפות מגן בעת החלפת אבזר.

שימוש בגריד לא מתאים עלול לגרום נזק למוצר. השתמש רק בגריד מקורי של Hilti.



1. שמן קלות את הקנה של הכלי.
  - ◀ השתמש רק בגריד מקורי של Hilti. גריד לא מתאים עלול לגרום נזקים למוצר.
2. הכנס את קנה הכלי לתפסנית עד הסוף ואפשר לו להינעל.
3. לאחר חיבור הכלי משוך אותו לניסיון כדי לוודא שהוא נעול היטב.
  - ◀ המוצר מוכן לעבודה.
4. משוך את נעילת הכלים אחורה עד הסוף והוצא את הכלי.

### 5.1.6 חיבור הסוללה

#### ⚠ אזהרה

**סכנה חשמלית** סכנה עקב קצר. ודא שהמגעים של הסוללה ושל הפטישון המשולב נקיים מגופים זרים לפני שאתה מחבר את הסוללה.

#### ⚠ אזהרה

**סכנת פציעה** סכנה עקב נפילת סוללה. סוללה שנפלה עלולה לסכך אותך ואחרים. ודא שהסוללה מחוברת היטב לפטישון המשולב.

1. הכנס את הסוללה למחזיק במכשיר עד שאתה שומע אותה ננעלת.
2. ודא שהסוללה יושבת היטב.

## 5.2 עבודה

#### ⚠ זהירות

**סכנת פציעה** אובדן השליטה במוצר. ודא כי ידית האחזיה הצדית מותקנת בצורה נכונה ומהודקת היטב. ודא שחבק ההידוק נמצא בחרץ המיועד לו במוצר.

ציית להוראות הבטיחות והאזהרות שבתייעוד זה ולאלה המצוינות על המוצר.

### 5.2.1 קידוח עם הלימה

1. העבר את בורר הפעולות לסמל זה:
  2. כוונן את העוצמה המבוקשת.
  3. הצמד את המקדח לחומר.
  4. לחץ על מתג ההפעלה.
- ◀ המוצר מתחיל לפעול.



**i** קידוח ללא הלימה אפשרי עם כלי עבודה בעלי קנה מיוחד. ניתן להזמין כלים כאלה ישירות מ-Hilti. לחלופין ניתן לדוגמה לחבר מקדח עץ או מקדח פלדה בעלי קנה צילינדרית לתפסנית המהירה ולקדוח ללא הלימה.

◀ העבר את בורר הפעולות לסמל זה: **T**.

**5.3 מיקום האזמל**
**⚠️ זהירות**

**סכנת פציעה!** אבדן השליטה על כיוון החציבה.

◀ אל תעבוד במצב "מיקום האזמל". העבר את בורר הפעולות למצב "חציבה", וודא שהוא ננעל במצב זה.

**i** ניתן למקם את האזמל ב-24 מצבים שונים (מרווחים של 15°). כך ניתן לעבוד באזמלים שטוחים ומעוצבים במצב העבודה הטוב ביותר.

1. העבר בורר הפעולות לעמדה "מיקום האזמל" -⊘.
  2. סובב את האזמל למיקום המבוקש.
  3. העבר את בורר הפעולות לסמל זה: **T**, עד שהוא נתפס.
- ◀ המוצר מוכן לעבודה.

**5.3.1 חציבה**

◀ העבר את בורר הפעולות לעמדה "חציבה" **T**.

**5.3.2 כיבוי/הפעלה של פעולה הרציפה**

**i** במצב חציבה ניתן לנעול את מתג ההפעלה במצב מופעל.

1. דחף קדימה לחצן העבודה הרציפה.
  2. לחץ על מתג ההפעלה עד הסוף.
- ◀ המוצר פועל כעת במצב פעולה רציפה.
3. דחף לאחור את לחצן העבודה הרציפה.
- ◀ המוצר כבה.

**6 טיפול ותחזוקה**
**⚠️ אזהרה**

**סכנת פציעה כאשר הסוללה מחוברת!**

◀ לפני ביצוע עבודות טיפול ותחזוקה כלשהן יש להקפיד להסיר את הסוללה!

**טיפול במוצר**

- הסר בזהירות לכלוך דבוק.
- אם ישנם, נקה את חריצי האוורור בזהירות בעזרת מברשת רכה ויבשה.
- נקה את גוף המכשיר רק באמצעות מטלית לחה מעט. אל תשתמש בחומרי טיפול המכילים סיליקון, מאחר שהם עלולים לפגוע בחלקי הפלסטיק.
- נקה את המגעים באמצעות מטלית נקייה ויבשה.

**טיפול בסוללות ליתיום-יון**

- לעולם אין להשתמש בסוללה שאינה מאווררת שלה סתומים. נקה את חריצי האוורור בזהירות בעזרת מברשת רכה ויבשה.
  - מנע חשיפת הסוללה לאבק ולכלוך שלא לצורך. בשום אופן אין לחשוף את הסוללה לחות גבוהה (לדוגמה להטביל אותה במים או להניח אותה בגשם).
  - אם הסוללה נרטבה מאוד, יש להתייחס אליה כאל סוללה פגומה. בודד אותה במיכל לא דליק ופנה לשיירות של Hilti.
  - שמור על הסוללה נקייה משמן וגריד לא שייכים. אל תאפשר הצטברות מיותרת של לכלוך ואבק על הסוללה. נקה את הסוללה במטלית יבשה ורכה או במטלית נקייה ויבשה. אל תשתמש בחומרי טיפול המכילים סיליקון, מאחר שהם עלולים לפגוע בחלקי הפלסטיק.
- אל תיגע במגעים של הסוללה ואל תסיר מהמגעים גריד שהושם במפעל.



- נקה את גוף המכשיר רק באמצעות מטלית לחה מעט. אל תשתמש בחומרי טיפול המכילים סיליקון, מאחר שהם עלולים לפגוע בחלקי הפלסטיק.

#### החזקה

- בדוק באופן סדיר את כל החלקים הגלויים כדי לאתר נדקים ולוודא שכל הרכיבים פועלים באופן תקין.
- אל תפעיל את המוצר אם ישנם נדקים ו/או תקלות. פנה מיד לשירות של Hilti כדי לתקן את המוצר.
- לאחר עבודות טיפול ותחזוקה יש להתקיין בחזרה את כל ציוד ההגנה ולבדוק שהוא פועל בצורה תקינה.

לצורך הפעלה בטוחה של המכשיר יש להשתמש רק בחלקי חילוף וחומרים מתכלים מקוריים. את חלקי החילוף, החומרים המתכלים והאביזרים שאושרו על-ידי Hilti עבור המוצר שלך תמצא ב-Hilti Store שלך או בכמות: [www.hilti.group](http://www.hilti.group)

## 7 הובלה ואחסון של כלי עבודה נטענים וסוללות

### הובלה

#### זהירות

#### התחלת פעולה בשוגג במהלך הובלה!

יש להוביל את המכשיר כשהסוללה מנותקת ממנו!

- ◀ הוצא את הסוללה/ות.
- ◀ לעולם אין להוביל את הסוללה בצורה חופשית בין עצמים לא ארזים. בזמן ההובלה הסוללות צריכות להיות מוגנות מפני חבטות ורעידות רבות וכן מבודדות מפני חומרים מוליכים כלשהם או סוללות אחרות, כדי שלא ייווצר מגע בינן לבין מגעים של סוללות אחרות ועקב כך קצר. **שים לב לכללי הובלה במדינתך בנוגע לסוללות.**
- ◀ אסור לשלוח סוללות בואר. אם אתה רוצה לשלוח סוללות לא פגומות, פנה לשם כך לחברת משלוחים והובלות.
- ◀ בדוק אם ישנם נדקים במוצר ובסוללות לפני כל שימוש וכן לפני הובלה ארוכה.

### אחסון

#### אזהרה

#### נדק לא מכוון כשהסוללות פגומות או דולפות!

יש לאחסן את המכשיר כשהסוללה מנותקת ממנו!

- ◀ אחסן את המוצר והסוללות במקום קריר ויבש. שים לב לערכי הגבול של הטמפרטורה, כמצוין בנתונים הטכניים.
- ◀ אין לאחסן סוללות על המטען. הקפד להוציא את הסוללה מהמטען בסיום תהליך הטעינה.
- ◀ לעולם אין לאחסן סוללות בשמש, על מקורות חום או מאחורי זכוכית.
- ◀ אחסן את המוצר והסוללה הרחק מהישג ידם של ילדים או אנשים לא מורשים.
- ◀ בדוק אם ישנם נדקים במוצר ובסוללות לפני כל שימוש וכן לפני אחסון ממושך.

## 8 RoHS (תקנה להגבלת השימוש בחומרים מסוכנים)

בקישור הבא תמצא את טבלת החומרים המסוכנים: [qr.hilti.com/r8377057](http://qr.hilti.com/r8377057). קישור לטבלת RoHS תמצא בסוף תיעוד זה, בצורת קוד QR.

## 9 תיקון תקלות

אם מתרחשת תקלה שאינה מוסברת בטבלה זו או שאינך יכול לתקן בעצמך, פנה לשירות של Hilti.

### 9.1 איתור תקלות

תקלה	סיבה אפשרית	פתרון
אין הלימה.	המוצר קר מדי.	◀ הצמד את המוצר לחומר ואפשר לו לעבוד במצב סרק. חזור על הפעולה לפי הצורך עד שמערכת ההלימה מתחילה לעבוד.
הסוללה מתרוקנת מהר מהרגיל.	מצב הסוללה אינו מיטבי.	◀ החלף את הסוללה.
הסוללה אינה נתפסת בצליל בקישה כפול ברור.	זידי הנעילה בסוללה מלוכלכים.	◀ נקה את זידי הנעילה וחבר את הסוללה מחדש.
ציר המכשיר אינו מסתובב.	חריגה מעל לטמפרטורת העבודה המותרת של המערכת האלקטרונית של המוצר.	◀ חייוי הפעלה/כיבוי מהבהב. הנח למוצר להתקרר.



תקלה	סיבה אפשרית	פתרון
ציר המכשיר אינו מסתובב.	הסוללה ריקה.	החלף סוללה, וטען את הסוללה הריקה.
המוצר נכבה אוטומטית.	הגנת עומס היתר פעילה.	חיווי הפעלה/כיבוי מהבהב. שחרר את מתג ההפעלה. הנח למוצר להתקרר. לחץ שוב על מתג ההפעלה. הפחת את העומס על המכשיר.
כאשר המקדח נתקע המוצר נכבה.	התקן ההגנה האלקטרוני הופעל כדי למנוע היתקעויות נוספות.	שחרר את המקדח.
הפטישון המשולב או הסוללה מתחממים מאוד.	תקלה חשמלית.	כבה את המוצר מיד. הסר את הסוללה והשגח עליה. אפשר לה להתקרר. צור קשר עם השירות של Hilti.
	עומס יתר על המוצר (חריגה מגבולות השימוש).	בחר מוצר המתאים לסוג העבודה.
הנוריות בסוללה אינן מציגות דבר.	הסוללה אינה מוכנסת עד הסוף.	ודא שהסוללה נבעלת בצליל נקישה כפול.
	הסוללה ריקה.	החלף סוללה, וטען את הסוללה הריקה.
	הסוללה חמה מדי או קרה מדי.	הבא את הסוללה לטמפרטורת העבודה המומלצת.
נורית 1 מהבהבת בסוללה.	הסוללה ריקה.	החלף סוללה, וטען את הסוללה הריקה.
	הסוללה חמה מדי או קרה מדי.	הבא את הסוללה לטמפרטורת העבודה המומלצת.
4 נוריות מהבהבות בסוללה.	עומס יתר זמני על המוצר.	שחרר את מתג ההפעלה ולחץ עליו מחדש.
	הגנה מפני התחממות יתר.	אפשר למוצר להתקרר ונקה את חריצי האוורור.
המוצר אינו פועל בעוצמה מלאה.	מתג הפעלה לא נלחץ עד הסוף.	לחץ על מתג הפעלה עד הסוף.
	לחצן חצי עוצמה מופעל.	לחץ על לחצן "חצי עוצמה".
המקדח אינו מסתובב.	בורר הפעולות לא נתפס בעמדה או שהוא נמצא בעמדה "חציבה" T או בעמדה "מיקום האזמל" -.	כשהמכשיר אינו מסתובב העבר את בורר הפעולות לעמדה "קידוח בהלימה" T.
לא ניתן לשחרר את הכלי מהבעילה.	התפסנית לא נמשכה לאחור עד הסוף.	משוך את בעילת הכלים אחורה עד הסוף והוצא את הכלי החוצה.
	ידיית האחיזה הצדית אינה מותקנת ככון.	שחרר את ידיית האחיזה הצדית והתקן אותה בצורה נכונה, כך שהרצועה וידיית האחיזה הצדית ייתפסו בשקע.
המוצר אינו מתחיל לפעול.	חסימת ההפעלה האלקטרונית נכנסה לפעולה לאחר ניתוק החשמל.	כבה את המוצר והדלק אותו מחדש.
חיווי הטיפולים מאיר.	גבול זמן טיפול.	פנה לשירות של Hilti כדי לתקן את המוצר.
חיווי הטיפולים מהבהב.	נקים במוצר.	פנה לשירות של Hilti כדי לתקן את המוצר.
חיווי הפעלה/כיבוי מהבהב.	עומס יתר זמני על המוצר.	שחרר את מתג ההפעלה ולחץ עליו מחדש.
	הגנה מפני התחממות יתר.	אפשר למוצר להתקרר ונקה את חריצי האוורור.

## 10 סילוק

המוצרים של Hilti מיוצרים בחלקם הגדול מחומרים ניתנים למיחזור. כדי שניתן יהיה למחזרם דרושה הפרדת חומרים מקצועית. במדינות רבות Hilti תקבל את המכשיר הישן שלך בחזרה לוצרן מיחזור. פנה לשירות של Hilti או למשווק.

✗ אין להשליך כלי עבודה חשמליים, כלים אלקטרוניים וסוללות לפסולת הביתית!



◀ אם יש לך שאלות בנושא תנאי האחריות, אנא פנה למשווק Hilti הקרוב אליך.









<http://qr.hilti.com/8377057>

**en Declaration of conformity****Declaration of conformity**

The manufacturer declares, on his sole responsibility, that the product described here complies with the applicable legislation and standards.

The technical documentation is filed here:

**Hilti** Entwicklungsgesellschaft mbH | Tool Certification | Hiltistrasse 6 | D-86916 Kaufering, Germany

**Product information**

Combihammer	TE 60-A36
Generation	04
Serial no.	1-9999999999



**הצהרת תאימות**

היצרן מצהיר באחריותו הבלעדית כי המוצר המתואר כאן עונה על דרישות החוק התקפות והתקנים התקפים.

התיעוד הטכני שמור כאן:

Hilti Entwicklungsgesellschaft mbH | Zulassung Geräte | Hiltistraße 6 | 86916 Kaufering, Germany

**נתוני המוצר**

TE 60-A36	פטישון משולב
04	דור
9999999999-1	מס' סידורי

**Hilti Corporation**  
Feldkircherstraße 100  
9494 Schaan | Liechtenstein



**TE 60-A36 (04)**

2006/42/EC  
2014/30/EU  
2011/65/EU

EN 62841-1:2015, AC:2015, A11:2022  
EN IEC 55014-1:2021

EN IEC 62841-2-6:2020/A11:2020  
EN IEC 55014-2:2021

Schaan, 29.03.2024

**Dr. Tahar Zrilli**  
Head of Quality and Process Management  
Business Area Electric Tools & Accessories

**Edward-Louis Przybylowicz**  
Head of BU Power Tool & Accessories  
Business Area Electric Tools & Accessories



**en UK Declaration of Conformity****Declaration of conformity**

The manufacturer declares, on his sole responsibility, that the product described here complies with the applicable legislation and standards.

The technical documentation is filed here:

**Hilti** Entwicklungsgesellschaft mbH | Tool Certification | Hiltistrasse 6 | D-86916 Kaufering, Germany

**Product information**

Combihammer	TE 60-A36
Generation	04
Serial no.	1-99999999999

**Manufacturer:****Hilti Corporation**

Feldkircherstraße 100  
9494 Schaan | Liechtenstein

**TE 60-A36 (04)**

Supply of Machinery (Safety) Regulations  
2008

Electromagnetic Compatibility Regulations  
2016

The Restriction of the Use of Certain  
Hazardous Substances in Electrical and  
Electronic Equipment Regulations 2012

**UK Importer:****Hilti (Gt. Britain) Limited**

No. 1 Circle Square, 3 Symphony Park  
Manchester, England, M1 7FS



EN 62841-1:2015, AC:2015, A11:2022

EN IEC 55014-1:2021

EN IEC 62841-2-6:2020/A11:2020

EN IEC 55014-2:2021

Schaan, 29.03.2024

**Dr. Tahar Zrilli**

Head of Quality and Process Management  
Business Area Electric Tools & Accessories

**Edward-Louis Przybyłowicz**

Head of BU Power Tool & Accessories  
Business Area Electric Tools & Accessories



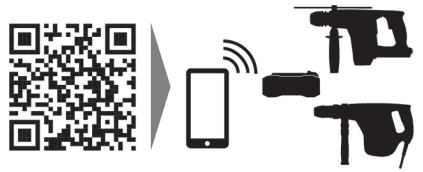








Hilti Corporation  
LI-9494 Schaan  
Tel.:+423 234 21 11  
Fax:+423 234 29 65  
[www.hilti.group](http://www.hilti.group)



2201898