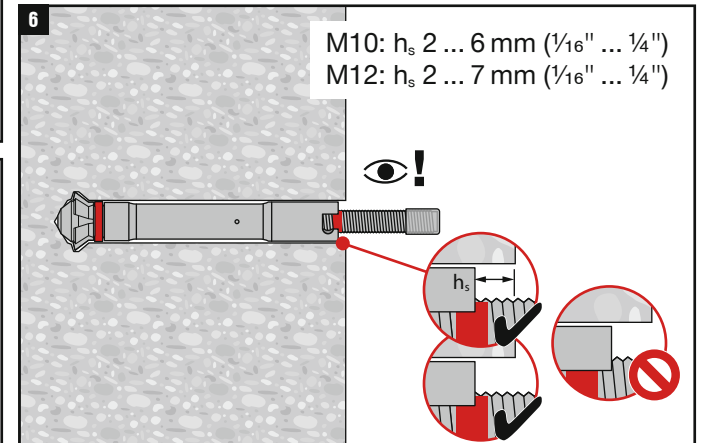
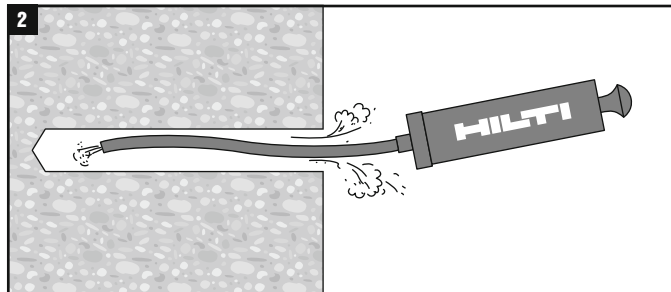
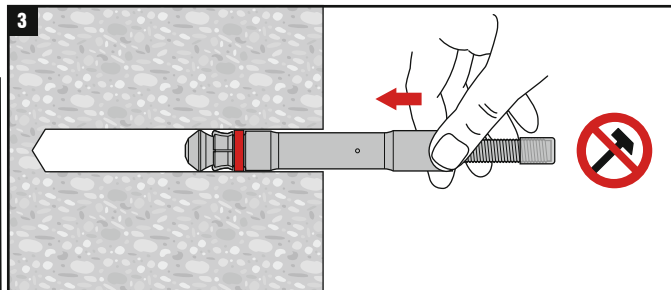


HDA-P/-PF/-PR	max t _{fix} [mm]	d _f [mm]	h _s	SW [mm]	T _{inst}
M10 × 100/20	20	12	2 ... 6 mm (1/16" ... 1/4")	17	50 Nm (37 ft-lb)
M12 × 125/30	30	14	2 ... 7 mm (1/16" ... 1/4")	19	80 Nm (59 ft-lb)
M12 × 125/50	50	14			



HDA-P/-PF/-PR	TE-C (SDS Plus)	TE-C (SDS Plus)	TE-C (SDS Plus)
M10 × 100/20	TE-C-HDA-B 20 × 100	TE-C-HDA-ST 20-M10	TE 30 ... (02)
M12 × 125/30	TE-C-HDA-B 22 × 125	TE-C-HDA-ST 22-M12	
M12 × 125/50			



HDA-P/-PF/-PR	TE-Y (SDS Max)	TE-Y (SDS Max)	TE-Y (SDS Max)
M10 × 100/20	TE-Y-HDA-B 20 × 100	TE-Y-HDA-ST 20-M10	TE 50 ... (03)
M12 × 125/30	TE-Y-HDA-B 22 × 125	TE-Y-HDA-ST 22-M12	TE 60 ... (04)
M12 × 125/50			

